

**LG918轮式装载机
零部件图册**

LG918 WHEEL LOADER PARTS CATALOG

山东临工工程机械有限公司

SHANDONG LINGONG CONSTRUCTION MACHINERY CO.,LTD.

配件与服务 Spare parts and services

对于山东临工机器的所有者来说,只有山东临工配件和服务才能够使您的机器更好地保持原有的特性。

For the owner of the machines of SDLG,only the space parts and services of SDLG can mark your machine to better maintain the original features.

只有山东临工才能够为您提供完美匹配且优质纯正的配件和对您的机器了如指掌的专业维修人员。这样才能保证及其可持续的高产能和更长的使用寿命。

Only SDLG is able to provide you with the perfect match of pure quality spare parts for your machine and knowledge of professional maintenance staff.Only in this way it can ensure sustainable high productivity and longer service life.

LG918轮式装载机 零部件图册

LG918 WHEEL LOADER PARTS CATALOG

2009 年 12 月 第 1 版 第 1 次印刷

2009-12 Version 1 Printed 1

山 东 临 工 程 机 械 有 限 公 司

SHANDONG LINGONG CONSTRUCTION MACHINERY CO.,LTD.

地址: 中国·临沂经济开发区临工工业园

Add: Lingong Industry Park,Linyi Economic Development Zone,Shandong,china

电话: 86-0539-8785668

Tel: 86-0539-8785624/86-0531-66590955

传真: 86-0539-8785698

Fax: 86-0539-8785618/86-0531-66590959

技术服务: 86-0539-8785800 400-6587999

Web: www.sdlg.cn

前言

LG918轮式装载机零部件图册，是为了方便用户使用、维修和保养而绘制的，以供在使用过程中查阅及参考，也可帮助用户了解本机的结构和装配关系。发动机的零部件详见其随机资料，本图册不再绘出。

本图册按系统划分绘制出了各零部件的图形及相互装配关系。凡装机后不可拆卸的部件（如焊接件、铆合件），只标出部件代号，不另列其组成零件。本图册明细表采用中英文对照编排。

本图册主要根据标准型产品(订货号E1805215A39)编绘，其它非标准配置，可参照执行，详情请咨询山东临工、或当地经销商、或登录山东临工网站查询。随着科技的进步，产品将会不断改进，故本图册的内容可能会有部分与以后的产品不一致，恕不另行通知。敬请用户在订购配件时，指明所购整车的出厂日期和编号。

编者

2009年12月

FOREWORD

THIS PARTS LIST OF LG918 WHEEL LOADER IS MADE FOR THE CONVENIENCE OF USERS TO USE , REPAIR AND MAINTAIN THE MACHINE, AND IT CAN BE REFERED IN THE PROCESS OF USING. IT CAN ALSO HELP THE USERS TO BE FAMILIAR WITH THE CONSTRUCTION AND ASSEMBLY RELATION OF THE MACHINE. THE PART OF THE ENGINE IS SHOWED IN DETAIL IN ITS STRUCTION HANDBOOK. SO THIS CATALOG DOES NOT CONTAIN THE ENGING PART LIST.

THE CATALOG CONTAINS THE PART DRAWINGS OF DEFERENT ASSEMBLIES, SHOWING THE SHAPE OF THE PARTS AS WELL AS THE ASSEMBLING RELATION. THE COMPONENTS WHICH CAN NOT BE TAKEN APART (SUCH AS THE WELDMENT OR RIVETED ASSEMBLIES) ARE INDICATED ONLY BY THEIR COMPONET NUMBERS WITHOUT THE CONSISTING PART NUMBERS . THE LIST IN THE CATALOG IS ARRANGED BY CHINESE VERSUS ENGLISH.

THIS CATALOG IS MAINLY BASED ON THE STANDARD PRODUCT (ORDER NUMBER E1805215A39) THE OTHERS OF NONSTANDARD PRODUCT CAN REFER THE STANDARD PRODUCT, AND THE DETAILED INFORMATION CAN BE KNOWN FROM SHANDONG LINGONG, THE LOACAL DEALER OR LINGONG WEBSITE ALTERATIONS IN DESIGN ARE NECESSARILY WITH THE THECHNICAL DEVELOPMENT SO SOME CONTENT IN THE CATALOG PROBABLY IS NOT CONSISTANT WITH THE FUTURE PRODUCTS, AND THIS WILL NOT NOTICE USERS. THEREFORE WHEN ORDERING SPARE PARTS, USERS ARE KINDLY REQUSETED TO INFORM US THE MANUFACTURING DATE AND BATCHNUMBER OF THE WHEEL LOADER.

THE COMPILER

2009. 12

目录 CONTENTS

A. 发动机系统

A. DIESEL ENGINE SYSTEM

发动机总成	A1-2901001459
DIESEL ENGINE ASSEMBLY	A1-2901001459
燃油箱总成	A2-2902000767
FUEL TANK ASSEMBLY	A2-2902000767
散热器总成	A3-2903000982
RADIATOR ASS'Y	A3-2903000982
发动机悬置总成D7019-1001000/04	A5-4110000560
ENGINE SUSPENSION ASSEMBLY D7019-1001000/04	A5-4110000560
气缸体总成D7019-1002000/10	A6-4110000560
CYLINDER BLOCK ASSEMBLY D7019-1002000/10	A6-4110000560
齿轮室部件D30-1002030A/08	A7-4110000560
GEAR HOUSING PARTS D30-1002030A/08	A7-4110000560
气缸盖总成D30-1003000B/08	A8-4110000560
CYLINDER HEAD ASSEMBLY D30-1003000B/08	A8-4110000560
活塞连杆总成D30-1004000/04	A9-4110000560
PISTON & CONNECTING ROD ASSEMBLY D30-1004000/04	A9-4110000560
曲轴及飞轮总成	A10-4110000560
CRANKSHAFT & FLYWHEEL ASSEMBLY	A10-4110000560

凸轮轴总成D30-1006000A/05	A11-4110000560
CAMSHAFT ASSEMBLY D30-1006000A/05	A11-4110000560
气门挺杆总成D30-1007000A /06	A12-4110000560
VALVE TAPPET ASSEMBLY D30-1007000A /06	A12-4110000560
进气管部件和进气接管部件	A13-4110000560
AIR INTAKE PIPE PARTS & AIR INTAKE CONNECTING PIPE PARTS D7019-1008100/04&D7019-1008500/03	A13-4110000560
排气管部件D7100-1008200/04	A14-4110000560
AIR EXHAUST PIPE PARTS D7100-1008200/04	A14-4110000560
油底壳总成D7019-1009000/02	A15-4110000560
OIL SUMP ASSEMBLY D7019-1009000/02	A15-4110000560
机油集滤器总成D0302-1010000/03	A16-4110000560
OIL STRAINER ASSEMBLY D0302-1010000/03	A16-4110000560
机油泵总成D30-1011000A/07	A17-4110000560
OIL PUMP ASSEMBLY D30-1011000A/07	A17-4110000560
机油滤清器D9900-1012000/02	A18-4110000560
OIL FILTER D9900-1012000/02	A18-4110000560
机油冷却器总成D30-1013000A/10	A19-4110000560
OIL COOLER ASSEMBLY D30-1013000A/10	A19-4110000560
游标尺部件A5701-1002600/02	A20-4110000560
OIL DIPSTICK PARTS A5701-1002600/02	A20-4110000560

柴油管路总成D7019-1104000/12	A21-4110000560
FUEL SUPPLY SYSTEM PIPELINE ASSEMBLY D7019-1104000/12	A21-4110000560
柴油滤清器总成	A22-4110000560
FUEL FILTER ASSEMBLY	A22-4110000560
空气滤清器总成D7019-1109000/06	A23-4110000560
AIR FILTER ASSEMBLY D7019-1109000/06	A23-4110000560
喷油泵总成D7014-1111000/13	A24-4110000560
FUEL INJECTION PUMP ASSEMBLY D7014-1111000/13	A24-4110000560
喷油器总成D30-1112000/03	A25-4110000560
FUEL INJECTOR ASSEMBLY D30-1112000/03	A25-4110000560
燃油喷射附件总成	A26-4110000560
FUEL INJECTION ACCESSORY ASSEMBLY	A26-4110000560
消声器总成D7019-1201000/05	A27-4110000560
MUFFLER ASSEMBLY D7019-1201000/05	A27-4110000560
散热器水管及软管总成D0708-1303000/01	A28-4110000560
WATER PIPE & HOSE ASSEMBLY OF RADIATOR D0708-1303000/01	A28-4110000560
放水开关总成631-1305000/05	A29-4110000560
WATER DRAIN COCK ASSEMBLY 631-1305000/05	A29-4110000560
调温器总成D0115-1306000/02	A30-4110000560
THERMOSTAT ASSEMBLY D0115-1306000/02	A30-4110000560

水泵总成D7200-1307000/06	A31-4110000560
WATER PUMP ASSEMBLY D7200-1307000/06	A31-4110000560
风扇总成D7008-1308000/03	A32-4110000560
FAN ASSEMBLY D7008-1308000/03	A32-4110000560
动力输出总成D7019-1600000/01	A33-4110000560
POWER OUTPUT ASSEMBLY D7019-1600000/01	A33-4110000560
气制动空气压缩机总成D7019-3509000/10	A34-4110000560
PNEUMATIC AIR COMPRESSOR ASSEMBLY D7019-3509000/10	A34-4110000560
发电机总成D7019-3701000/01	A35-4110000560
ALTERNATOR ASSEMBLY D7019-3701000/01	A35-4110000560
起动电机总成D7004-3708000/01	A36-4110000560
STARTER ASSEMBLY D7004-3708000/01	A36-4110000560
仪表感应塞总成D7019-3800000/05	A37-4110000560
INSTRUMENT & SENSOR ASSEMBLY D7019-3800000/05	A37-4110000560
铭牌D8300-3904000/01	A38-4110000560
NAMEPLATE D8300-3904000/01	A38-4110000560

B. 变矩器系统

B. TORQUE CONVERTER SYSTEM

变矩器系统	B1-2904000761
TORQUE CONVERTER SYSTEM	B1-2904000761

变矩器YJ280-4DL(370804)	B2-4110000217
TORQUE CONVERTER YJ280-4DL(370804)	B2-4110000217
滤清器QF60M33G-1 (410708)	B4-4110000507
CLEANER QF60M33G-1 (410708)	B4-4110000507

C. 变速箱系统

C. TRANSMISSION SYSTEM

变速箱系统	C1-2905000651
TRANSMISSION SYSTEM	C1-2905000651
前进低档离合器(370804)	C2-4110000218
GO FORWARD LOW-END CLUTCH(370804)	C2-4110000218
倒退高档离合器(370804)	C3-4110000218
BACKWARD HIGH-END CLUTCH(370804)	C3-4110000218
中间轴部件 I(370804)	C4-4110000218
DUMMY SHAFT PARTS I(370804)	C4-4110000218
输出轴部分(370804)	C5-4110000218
OUTPUT SHAFT PART(370804)	C5-4110000218
输入部分(370804)	C6-4110000218
INPUT PART(370804)	C6-4110000218
箱体及管路附件(370804)	C7-4110000218
CASE AND PIPELINE ACCESSORIES(370804)	C7-4110000218



D. 变速操纵系统

D. TRANSMISSION CONTROL SYSTEM

变速操纵系统	D1-2906000809
TRANSMISSION CONTROL SYSTEM	D1-2906000809

E. 驱动桥系统

E. AXLE SYSTEM

驱动桥系统	E1-2907000651
AXLE SYSTEM	E1-2907000651
前、后驱动桥总成	E2-2909000651
FRONT、REAR AXLE ASSEMBLY	E2-2909000651
前主传动总成	E3-2907001002
FRONT MAIN DRIVE ASSEMBLY	E3-2907001002
后主传动总成	E4-2909000800
REAR AXLE MAIN DRIVE ASS'Y	E4-2909000800
轮边减速器总成	E5-2907001003
FINAL DRIVE ASSEMBLY	E5-2907001003
轮胎（520101）	E10-2050900108
TIRE（520101）	E10-2050900108
驱动桥总成(前桥)	E11-2880902856
DRIVE AXLE ASSEMBLY（FRONT AXLE）	E11-2880902856

驱动桥总成(后桥)	E12-2880902856
DRIVE AXLE ASSEMBLY (REAR AXLE)	E12-2880902856
钳盘制动器总成	E13-2880902856
DISC BRAKE ASSEMBLY	E13-2880902856
轮边总成(前桥)	E14-2880902856
WHEEL-END REDUCTOR ASSEMBLY (FRONT AXLE)	E14-2880902856
轮边总成(后桥)	E15-2880902856
WHEEL-END REDUCTOR ASSEMBLY (REAR AXLE)	E15-2880902856
主减速器总成(前桥)	E16-2880902856
FINAL DRIVE ASSEMBLY (FRONT AXLE)	E16-2880902856
主减速器总成(后桥)	E17-2880902856
FINAL DRIVE ASSEMBLY (REAR AXLE)	E17-2880902856

F. 工作装置液压系统

F. IMPLEMENT HYDRAULIC SYSTEM

液压操纵总成	F1-2912001722
HYDRAULIC CONTROL ASSEMBLY	F1-2912001722
举升缸总成	F3-2913001166
LIFT ARM CYLINDER ASSEMBLY	F3-2913001166
转斗缸总成	F4-2914001066
TILT CYLINDER ASSEMBLY	F4-2914001066



液压油箱总成	F5-2910000651
HYDRAULIC TANK ASSEMBLY	F5-2910000651
转斗油缸 (371368)	F7-4120001085
TILT CYLINDER	F7-4120001085
动臂油缸 (371368)	F9-4120001153
LIFT ARM CYLINDER	F9-4120001153

H. 工作装置

H. WORKING EQUIPMENT

工作装置	H1-2915000913
WORKING EQUIPMENT	H1-2915000913

I. 转向系统

I. STEERING SYSTEM

转向泵总成	I1-2919000774
STEERING PUMP ASSEMBLY	I1-2919000774
转向器总成	I2-2920000837
STEERING UNIT ASSEMBLY	I2-2920000837
转向缸总成	I3-2921000651
STEERING CYLINDER ASSEMBLY	I3-2921000651
转向油缸 (371368)	I5-4120001821
STEERING CYLINDER	I5-4120001821

J. 制动系统

J. BRAKE SYSTEM

行车制动总成	J1-2922000868
SERVICE BRAKE SYSTEM	J1-2922000868
储气罐	J2-2922000661
AIR RESSERVIOR	J2-2922000661
加力泵(340201)	J3-4120000090
BRAKE BOOSTER	J3-4120000090
驻车制动系统	J4-2923000651
PARKING BRAKE SYSTEM	J4-2923000651

K. 车架

K. FRAME

前车架总成	K1-2924000778
FRONT FRAME	K1-2924000778
后车架总成	K2-2926001418
REAR FRAME ASSEMBLY	K2-2926001418
配重铁总成	K3-2928000811
COUNTER WEIGHT	K3-2928000811

L. 驾驶室

L. CAB GROUP

驾驶室总成	L1-2929000981
CAB ASSEMBLY	L1-2929000981
驾驶室	L2-2929000982
CAB	L2-2929000982
操作台架	L3-2931001367
OPERATE BENCH	L3-2931001367
座椅总成	L4-2930000651
SEAT ASSEMBLY	L4-2930000651
操纵箱总成	L5-2932000955
OPERATE CASE	L5-2932000955

M. 覆盖件系统

M. CONVER SYSTEM

发动机罩总成	M1-2933001940
ENGINE HOOD ASSEMBLY	M1-2933001940
左台架总成	M2-2934000668
LEFT BENCH GROUP	M2-2934000668
右台架总成	M3-2934000652
RIGHT BENCH GROUP	M3-2934000652
后灯罩	M4-2934000695
REAR LAMP HOOD	M4-2934000695

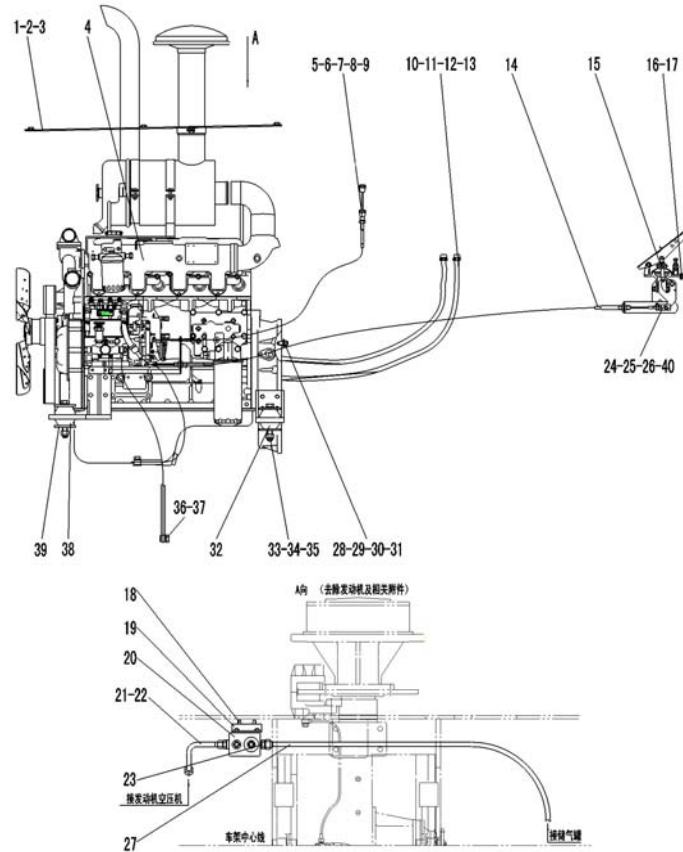
标志与标识	M5-2936001198
SIGN AND LOGO	M5-2936001198
左、右电瓶箱	M6-2934001729
LEFT AND RIGHT BATTERY CASE	M6-2934001729
N. 空调系统	
N. AIR CONDITIONER SYSTEM	
空调系统	N2-2935000949
AIR CONDITIONER SYSTEM	N2-2935000949
O. 电气系统	
O. ELECTRIC SYSTEM	
电气系统	O1-2937001524
ELECTRIC SYSTEM	O1-2937001524
仪表盘总成	O2-2937001526
PANEL ASSEMBLY	O2-2937001526
仪表台总成	O3-2937001580
INSTRUMENT DESK	O3-2937001580



A 发动机系统
DIESEL ENGINE SYSTEM

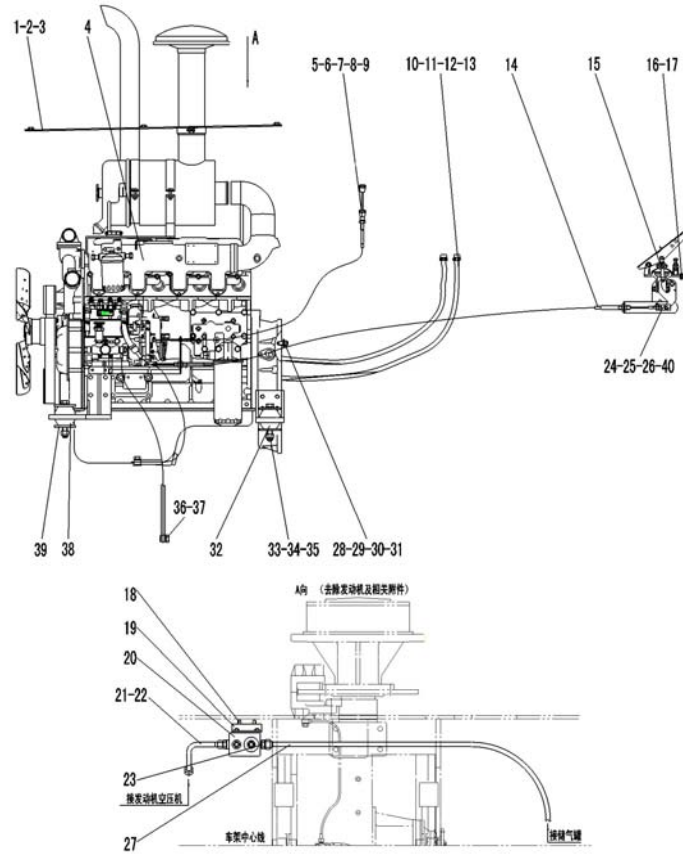
山东临工工程机械有限公司
SHANDONG LINGONG CONSTRUCTION MACHINERY CO.,LTD.

发动机总成 DIESEL ENGINE ASSEMBLY



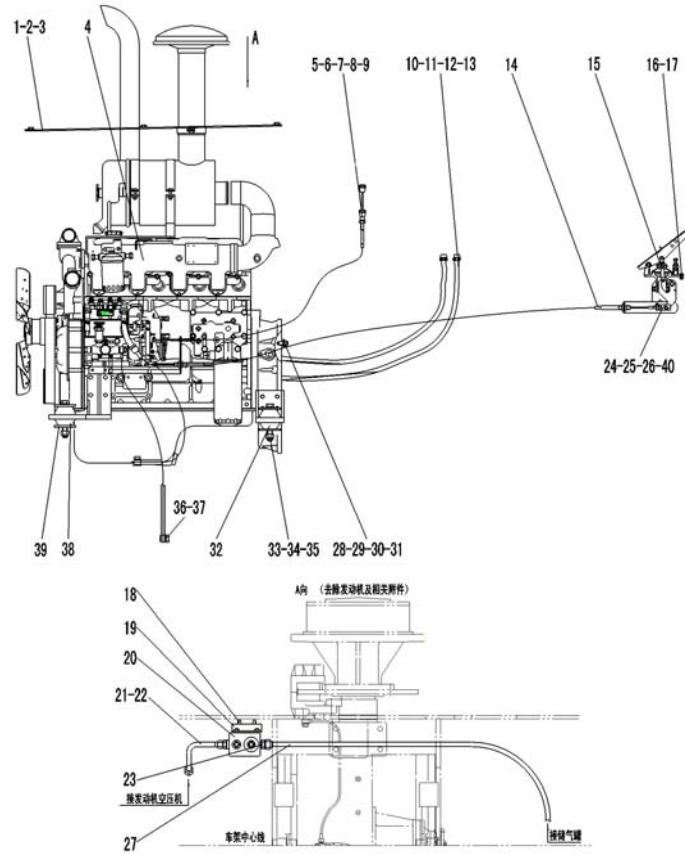
序号 Key	零件代号 Part No.	名称 Description	是否配件 Spare parts Y/N	数量 Qty	备注 Remarks
1	29330006591	上盖板	WPPER HOOD	Y	1
2	4015000197	垫圈GB96.1-10EpZn-300HV	WASHER GB96.1-10EpZn-300HV	N	10
3	4011000081	螺栓GB5783-M10*20EpZn-8.8	BOLT GB5783-M10*20EpZn-8.8	N	10
4	4110000560	发动机总成YC4D80-T10(D7019)	DIESEL ENGINE ASSEMBLY YC4D80-T10(D7019)	Y	1
5	29010001071	螺栓轴	BOLT SHAFT	Y	1
6	4014000020	螺钉GB75-M6*10EpZn-22H	SCREW GB75-M6*10EpZn-22H	N	1
7	4016000120	开口销GB91-2*12EpZn-Q235A	SPLINT PIN GB91-2*12EpZn-Q235A	N	1
8	4013000028	螺母GB6170-M6EpZn-8	NUT GB6170-M6EpZn-8	N	2
9	29010009202	操纵软轴	CABLE SHAFT	Y	1
10	4120000119	胶管JB8406-B16*2300	RUBBER TUBE JB8406-B16X2300	Y	1
11	4030000288	胶管JB8406-B16*2000	HOSE JB8406-B16*2000	Y	1
12	4120000067	暖风机水阀LG12-NFJSF	VALVE-HEATER	Y	2
13	4017000024	环箍QC390-D26	CLAMP QC390-D26	N	4
14	29010006671	操纵软轴	SHAFT	Y	1
15	4120000096	油门踏板ZY75-00	ACCELERATOR PEDAL ZY75-00	Y	1
16	4015000035	垫圈GB93-6-65Mn	WASHER GB93-6-65Mn	N	3
17	4011000101	螺栓GB5783-M6*20EpZn-8.8	BOLT GB5783-M6*20EpZn-8.8	N	3
18	4011000488	螺栓GB16674-M10*16EpZn-8.8	BOLT GB16674-M10*16EpZn-8.8	N	2

发动机总成 DIESEL ENGINE ASSEMBLY



序号 Key	零件代号 Part No.	名称 Description	是否配件 Spare parts Y/N	数量 Qty	备注 Remarks
19	29010006541	油水分离器支架	HOLDER FOR AIR DRYER	Y	1
20	4120000084	油水分离器组合阀ST-50G	AIR DYER ST-50G	Y	1
21	4120000750	金属软管	METAL TUBE	Y	1
22	29220000171	垫圈	WASHER	Y	2
23	29220001191	直接头	CONNECTOR	Y	2
24	29010006681	连接叉	JOINT FORK	Y	1
25	4016000138	销轴GB882-B6*22EpZn-35	PIN GB882-B6*22EpZn-35	N	2
26	4016000100	开口销GB91-2*20EpZn-Q235A	SPLINT PIN GB91-2*20EpZn-Q235A	N	2
27	4041001224	软管LGB144-105180	HOSE LGB144-105180	Y	1
28	29010006591	双头螺栓	DOUBLE BOLT	Y	9
29	4013000011	螺母GB6170-M12EpZn-8	NUT GB6170-M12 EpZn-8	N	9
30	4015000168	垫圈GB97.1-12EpZn-300HV	WASHER GB97.1-12EpZn-300HV	N	9
31	4015000026	垫圈GB93-12-65Mn	WASHER GB93-12-65Mn	N	9
32	29010012051	减震垫	RUBBER SPACER	Y	4
33	4011000656	螺栓GB5785-M16*1.5*110EpZn-8.8	BOLT GB5782-M16*100EpZn-8.8	N	4
34	4013000129	螺母GB889.2-M16*1.5EpZn-8	NUT GB6170-M16EpZn-8	N	4
35	4015000181	垫圈GB97.1-16EpZn-300HV	WASHER GB97.1-16EpZn-300HV	N	4
36	4011000641	螺栓JB6013-M14*1.5EpZn-45	BOLT JB6013-M14*1.5EpZn-45	N	2

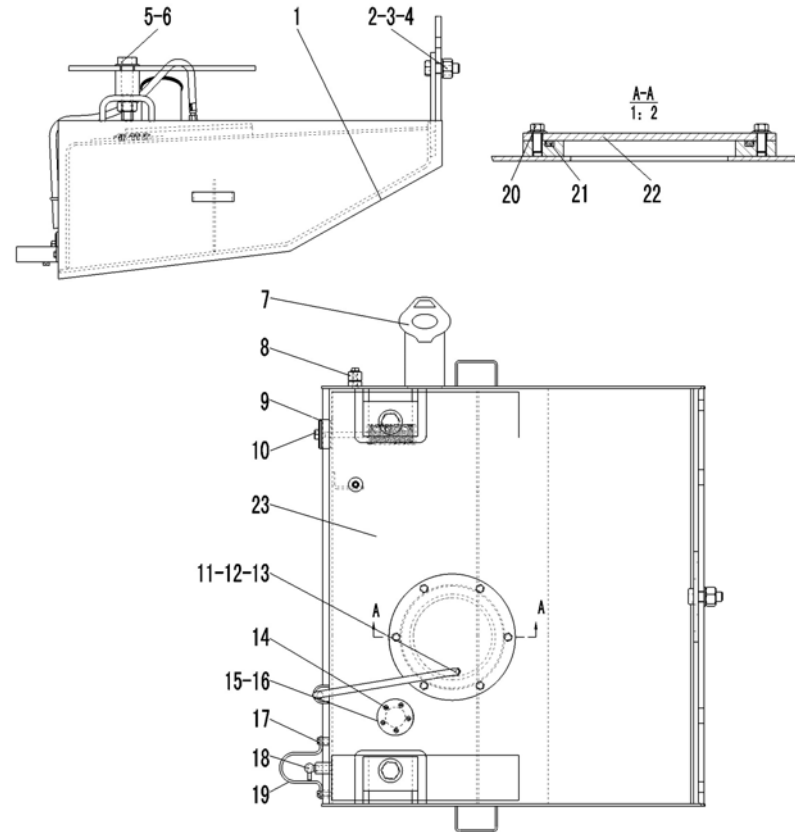
发动机总成 DIESEL ENGINE ASSEMBLY



序号 Key	零件代号 Part No.	名称 Description	是否配件 Spare parts Y/N	数量 Qty	备注 Remarks	
37	4015000231	垫圈JB6013-14-T2	WASHER JB6013-14-T2	N	4	
38	29010012001	减震垫	RUBBER SPACER	Y	4	
39	29010006601	垫圈	WASHER	Y	8	
40	4013000033	螺母GB6170-M8EpZn-8	NUT GB6170-M8EpZn-8	N	1	

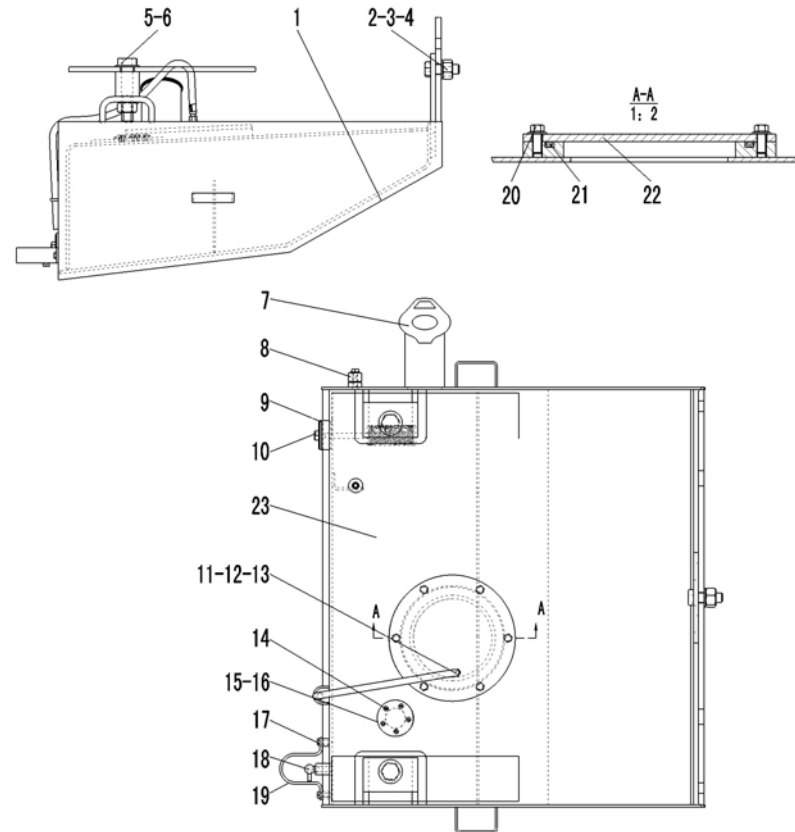


燃油箱总成 FUEL TANK ASSEMBLY



序号 Key	零件代号 Part No.	名称 Description	是否配件 Spare parts Y/N	数量 Qty	备注 Remarks
1	29020007681	燃油箱体	N	1	
2	4011000114	螺栓GB5785-M20*2*60EpZn-8.8	N	1	
3	4013000040	螺母GB6171-M20*2EpZn-8	N	1	
4	4015000176	垫圈GB97.1-20EpZn-300HV	N	1	
5	4011000446	螺栓GB5785-M24*2*120EpZn-8.8	N	2	
6	4015000187	垫圈GB96.1-24EpZn-300HV	N	2	
7	4120001404	带锁液压过滤器SL-50A	Y	1	
8	4120000093	液位计YWZ-200	Y	1	
9	29020000062	垫圈	Y	1	
10	29020006581	滤油器总成	Y	1	
11	4120000046	胶管JB8406-A10*560	Y	1	
12	4017000010	喉箍JB8870-d20	N	1	
13	29020006561	透气钢管	Y	1	
14	4014000047	螺钉GB818-M5*8EpZn-4.8	N	5	
15	29020006851	垫片	Y	1	
16	29020006841	法兰盖	Y	1	
17	4011000455	螺栓GB16674-M8*25EpZn-8.8	N	2	
18	4120000099	球阀MBS216-1/2"	Y	1	

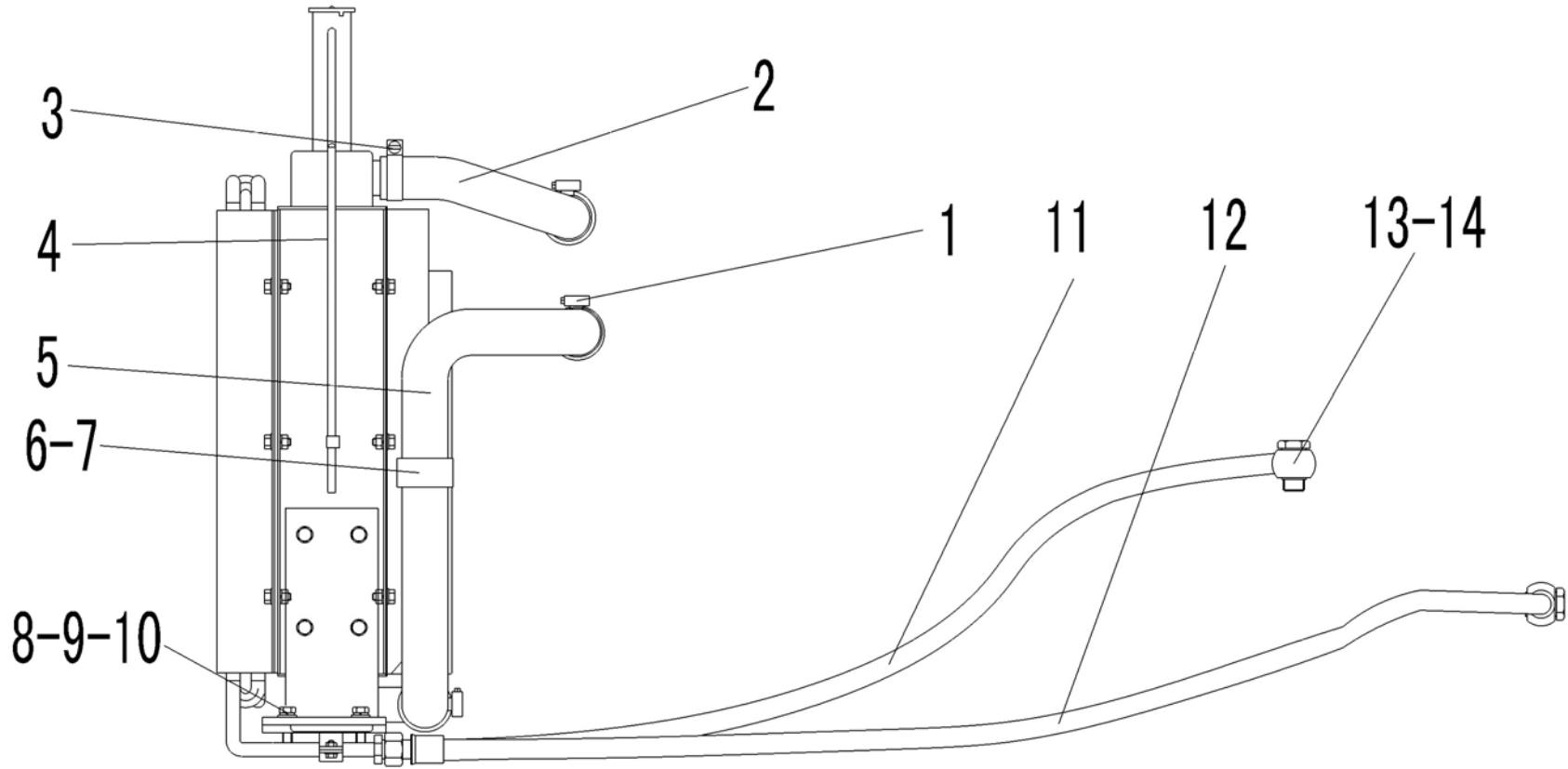
燃油箱总成 FUEL TANK ASSEMBLY



序号 Key	零件代号 Part No.	名称 Description	是否配件 Spare parts Y/N	数量 Qty	备注 Remarks
19	29020006591	护板 GUARD PLATE	Y	1	
20	4011000447	螺栓GB16674-M10*20EpZn-8.8 BOLT GB16674-M10*20EpZn-8.8	N	6	
21	4030000022	O形圈GB3452.1-200*7.00G O-RING GB3452.1-200*7.00G	Y	1	
22	29020006571	盖板 COVER PLATE	Y	1	
23	29020007671	燃油箱总成 FUEL TANK ASSEMBLY	Y	1	

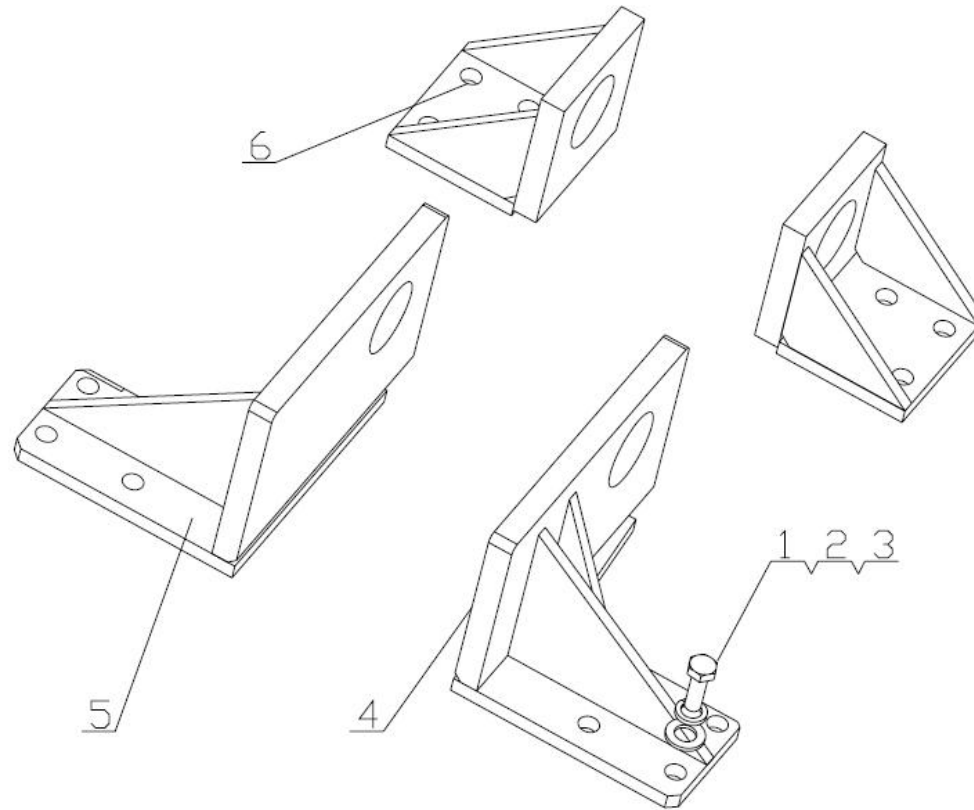


散热器总成 RADIATOR ASS'Y



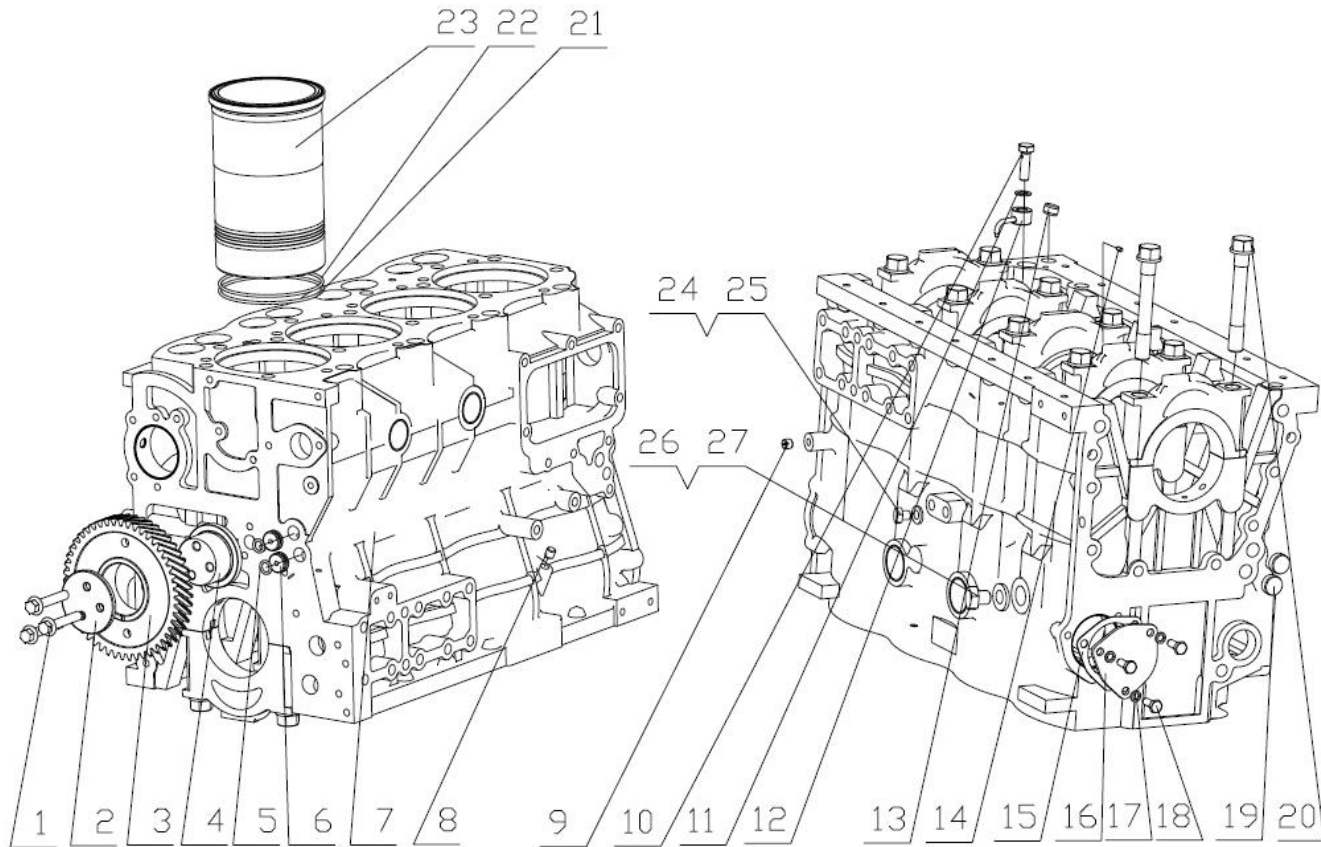
序号 Key	零件代号 Part No.	名称 Description	是否配件 Spare parts Y/N	数量 Qty	备注 Remarks
1	4017000018	喉箍JB8870-d70	N	1	
2	29030009831	散热器进水管	Y	1	
3	4017000007	喉箍JB8870-d60	N	3	
4	4110000491	水油散热器LG918-1	Y	1	
5	29030009841	散热器出水管	Y	1	
6	29030006531	管夹	Y	1	
7	4011000461	螺栓GB16674-M8*16EpZn-8.8	N	1	
8	4011000091	螺栓GB5783-M12*40EpZn-8.8	N	4	
9	4015000168	垫圈GB97.1-12EpZn-300HV	N	4	
10	4015000026	垫圈GB93-12-65Mn	N	4	
11	29030008121	变矩器至散热器胶管	Y	1	
12	29030008131	散热器至变速箱胶管	Y	1	
13	4011000147	螺栓JB999-M27*2*55EpZn-35	N	2	
14	4030000062	垫圈JB1002-27-T2	Y	4	

发动机悬置总成D7019-1001000/04 ENGINE SUSPENSION ASSEMBLY D7019-1001000/04



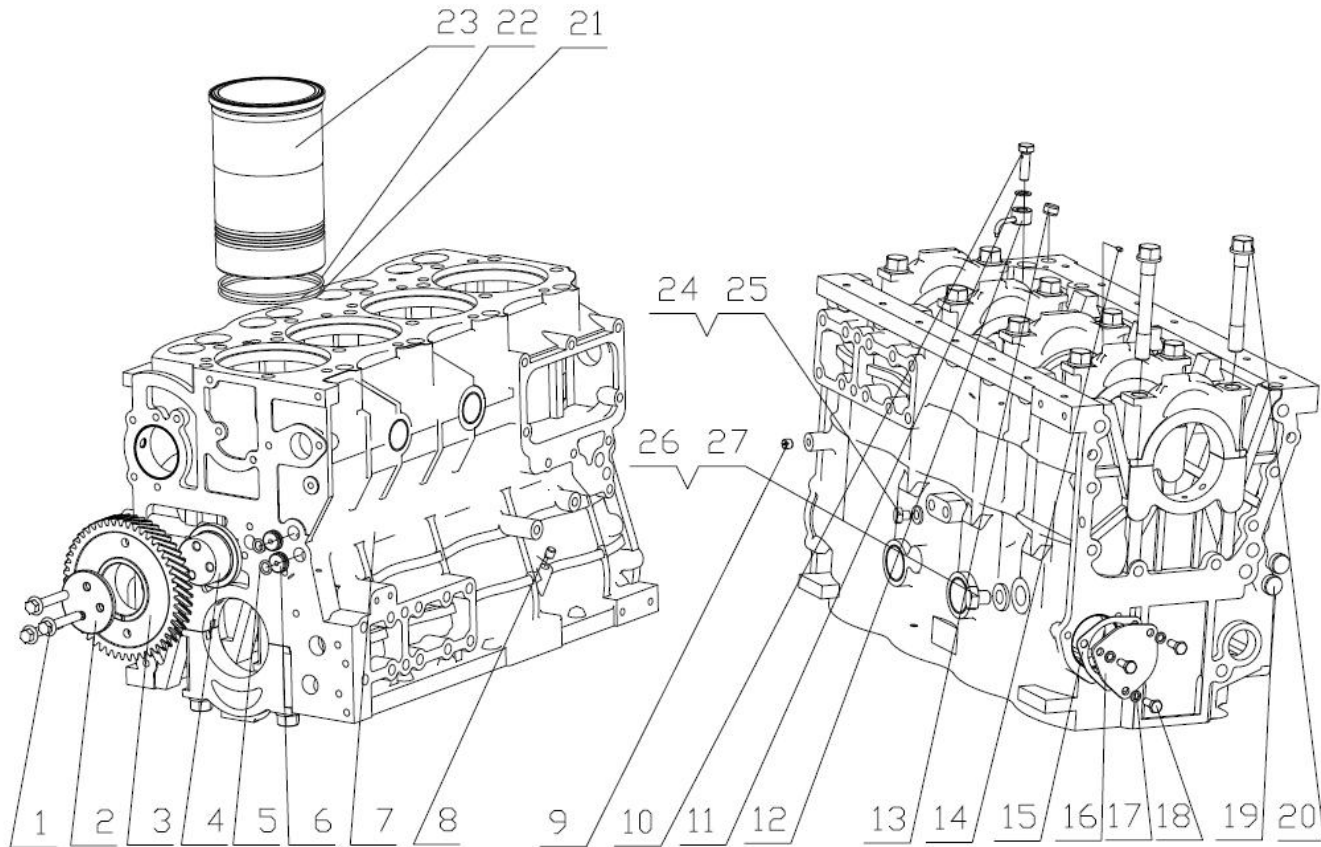
序号 Key	零件代号 Part No.	名称 Description	是否配件 Spare parts Y/N	数量 Qty	备注 Remarks
1	4110000560009	螺栓M12X30 Q150B1230	BOLT M12X30 Q150B1230	N	16
2	4110000560320	垫圈12 Q40312	WASHER Q40312	N	16
3	4110000560299	垫圈 12 Q40112	WASHER 12 Q40112	N	16
4	4110000560351	前右支架D7024-1001080	FRONT RIGHT BRACKET D7024-1001080	Y	1
5	4110000560350	前左支架D7024-1001070	FRONT LEFT BRACKET D7024-1001070	Y	1
6	4110000560349	后支架D7019-1001060	REAR BRACKET D7019-1001060	N	2

气缸体总成D7019-1002000/10 CYLINDER BLOCK ASSEMBLY D7019-1002000/10



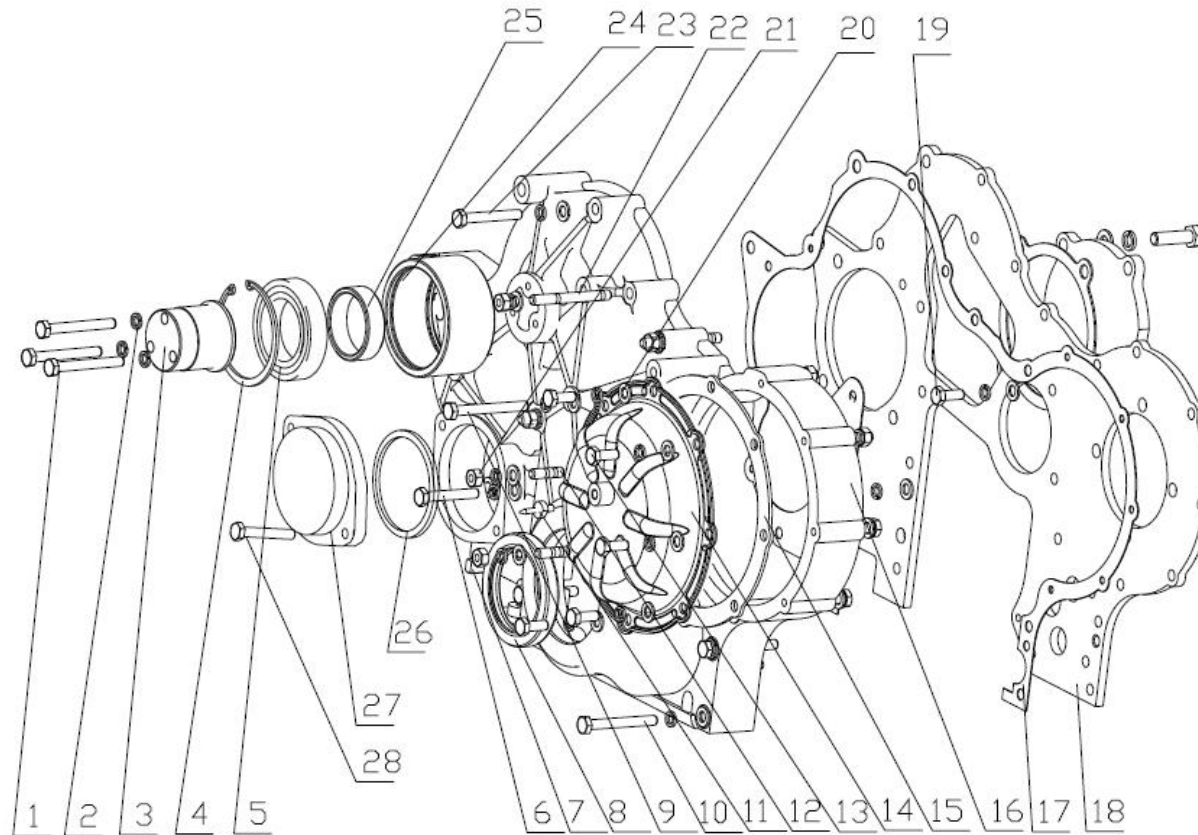
序号 Key	零件代号 Part No.	名称 Description	是否配件 Spare parts Y/N	数量 Qty	备注 Remarks
1	4110000560284	螺栓M8×55 Q1840855TF2	N	3	
2	4110000560128	正时惰齿轮挡板D30-1002054	Y	1	
3	4110000560126	正时惰齿轮D30-1002051	Y	1	
4	4110000560127	惰齿轮轴D30-1002052	Y	1	
5	4110000560337	O 形圈2.65×16 YC208-B01600F	N	2	
6	4110000560054	主油道密封塞6105Q-1002067	Y	2	
7	4110000560119	气缸体部件D2000-1002170	N	1	
8	4110000560053	铝堵6105Q-1002022	Y	1	
9	4110000560328	开槽锥形螺塞NPT1/8 Q61101	N	1	
10	4110000560027	过油螺栓430-1002162B	Y	4	
11	4110000560028	垫圈430-1002163	Y	4	
12	4110000560138	喷嘴组件D30-1002740	Y	4	
13	4110000560132	油道堵塞D30-1002068A	Y	1	
14	4110000560344	停用-销4×8 YC24-B0408	N	2	
15	4110000560130	凸轮轴端盖垫片D30-1002062A	Y	1	
16	4110000560129	凸轮轴端盖D30-1002061	Y	1	
17	4110000560317	停用-垫圈8 Q40308	N	3	
18	4110000560254	螺栓 M8X20 Q150B0820	N	3	

气缸体总成D7019-1002000/10 CYLINDER BLOCK ASSEMBLY D7019-1002000/10



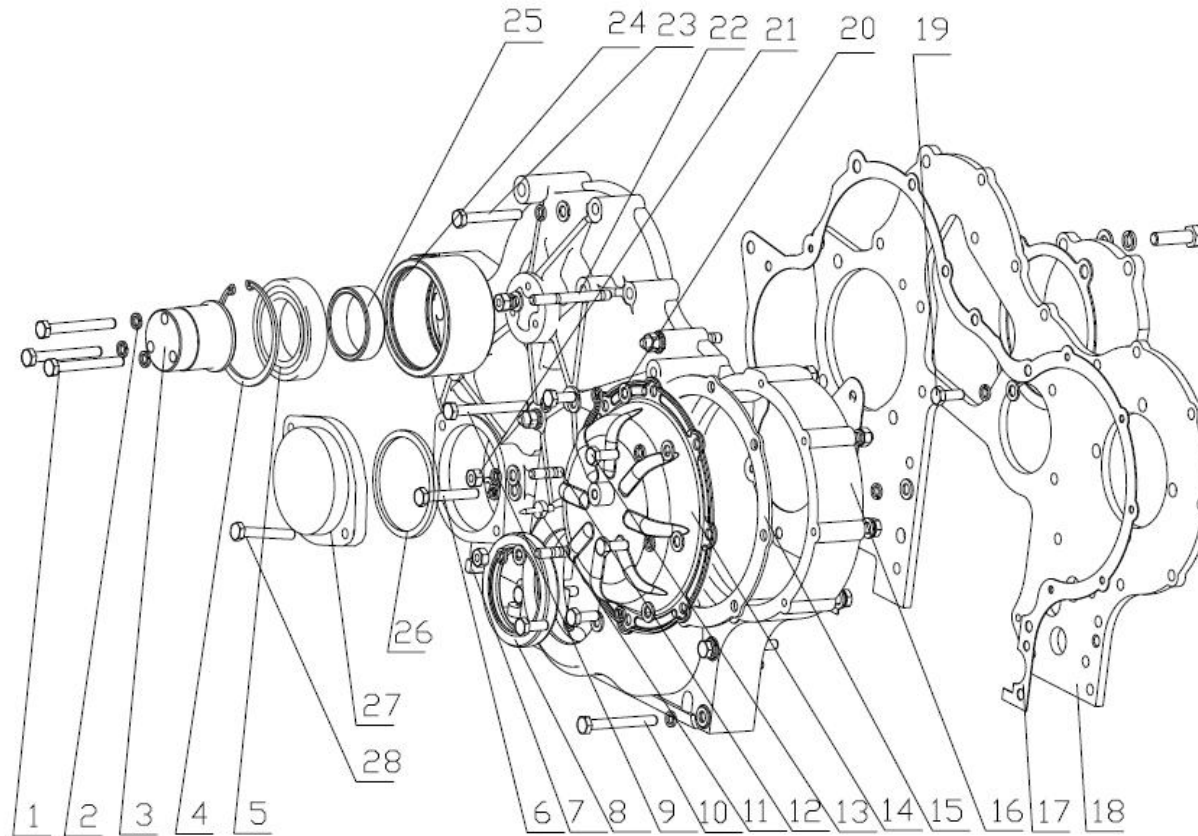
序号 Key	零件代号 Part No.	名称 Description	是否配件 Spare parts Y/N	数量 Qty	备注 Remarks
19	4110000560055	后主油道堵塞 6105Q-1002069	REAR MAIN OIL GALLERY PLUG 6105Q-1002069	Y	2
20	4110000560017	主轴承盖螺栓330-10020212A	MAIN BEARING COVER BOLT 330-10020212A	N	10
21	4110000560099	气缸套封水圈A3000-1002063B	CYLINDER LINER SEAL WATER RING A3000-1002063B	N	4
22	4110000560098	气缸套封水圈A3000-1002063	CYLINDER LINER SEAL WATER RING A3000-1002063	N	4
23	4110000560131	气缸套D30-1002064B	CYLINDER LINER D30-1002064B	Y	4
24	4110000560133	过油螺塞D30-1002071	HOLLOW BOLT FOR OIL D30-1002071	Y	1
25	4110000560300	垫圈12 Q40112T4F	WASHER 12 Q40112T4F	N	1
26	4110000560036	回油螺塞530-1002027	OIL RETURN BOLT 530-1002027	Y	1
27	4110000560230	复合式密封垫圈 22Q/YC149-22	COMPOUND SEAL WASHER22 Q/YC149-22	N	1
28	4110000560134	气缸体组件D30-1002114C*	CYLINDER BLOCK PART D30-1002114C*	Y	1

齿轮室部件D30-1002030A/08 GEAR HOUSING PARTS D30-1002030A/08



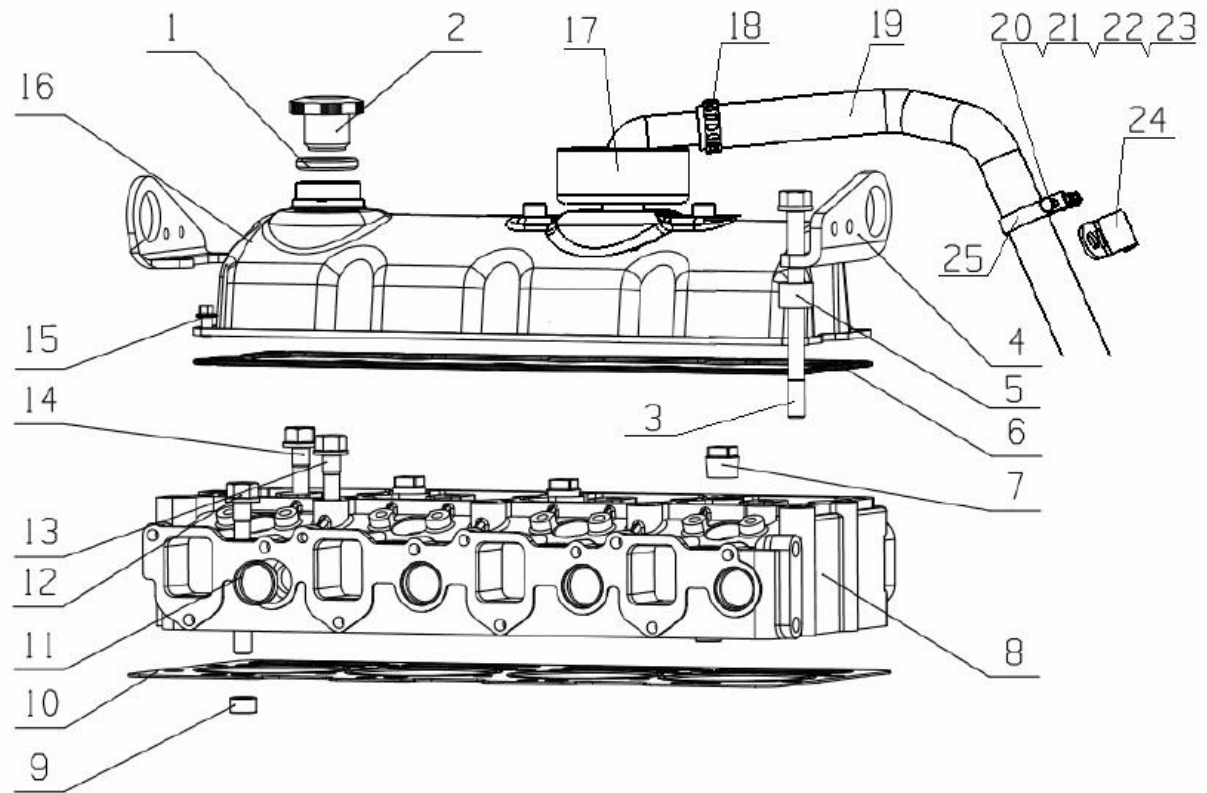
序号 Key	零件代号 Part No.	名称 Description	是否配件 Spare parts Y/N	数量 Qty	备注 Remarks
1	4110000560265	螺栓M8×65 Q150B0865TF2	BOLT M8X65 Q150B0865TF2	N	3
2	4110000560318	停用-垫圈8 Q40308	LOCK WASHER 8 Q40308	N	27
3	4110000560137	多楔带惰轮轴D30-1002213B	MULTI-WEDGE IDLE GEAR SHAFT D30-1002213B	Y	1
4	4110000560323	挡圈80 Q43080	RETAINING RING 80 Q43080	N	1
5	4110000560223	滚动轴承6010-2RS GB/T276-6010-2RS	BALL BEARING 6010-2RS GB/T276-6010-2RS	Y	2
6	4110000560261	螺栓M8×50 Q150B0850	BOLT M8×50 Q150B0850	N	2
7	4110000560077	扁销6105Q-1600011	TABULAR PIN 6105Q-1600011	Y	1
8	4110000560342	油封65×90 YC209-C065090PR	OIL SEAL 65X90 YC209-C065090PR	Y	1
9	4110000560266	螺栓M8×70 Q150B0870	BOLT M8X70 Q150B0870	N	1
10	4110000560264	螺栓M8×65 Q150B0865	BOLT M8X70 Q150B0865	N	2
11	4110000560124	上止点指针D30-1002037	TDC POINTER D30-1002037	Y	1
12	4110000560242	螺柱M8×16 Q1200816	STUD M8X16 Q1200816	N	2
13	4110000560254	螺栓 M8X20 Q150B0820	BOLT M8X20 Q150B0820	N	5
14	4110000560015	喷油泵齿轮盖部件1D30-1002040	INJECTION PUMP GEAR COVER PART 1D30-1002040	Y	1
15	4110000560123	喷油泵齿轮盖垫片D30-1002036	INJECTION PUMP GEAR COVER GASKET D30-1002036	Y	1
16	4110000560120	正时齿轮室罩D30-1002031C	TIMING GEAR HOUSING COVER D30-1002031C	Y	1
17	4110000560122	正时齿轮室罩垫片D30-1002034C	TIMING GEAR HOUSING COVER GASKET D30-1002034C	Y	1
18	4110000560121	齿轮室盖板D30-1002033D	GEAR HOUSING COVER PLATE D30-1002033D	Y	1

齿轮室部件D30-1002030A/08 GEAR HOUSING PARTS D30-1002030A/08



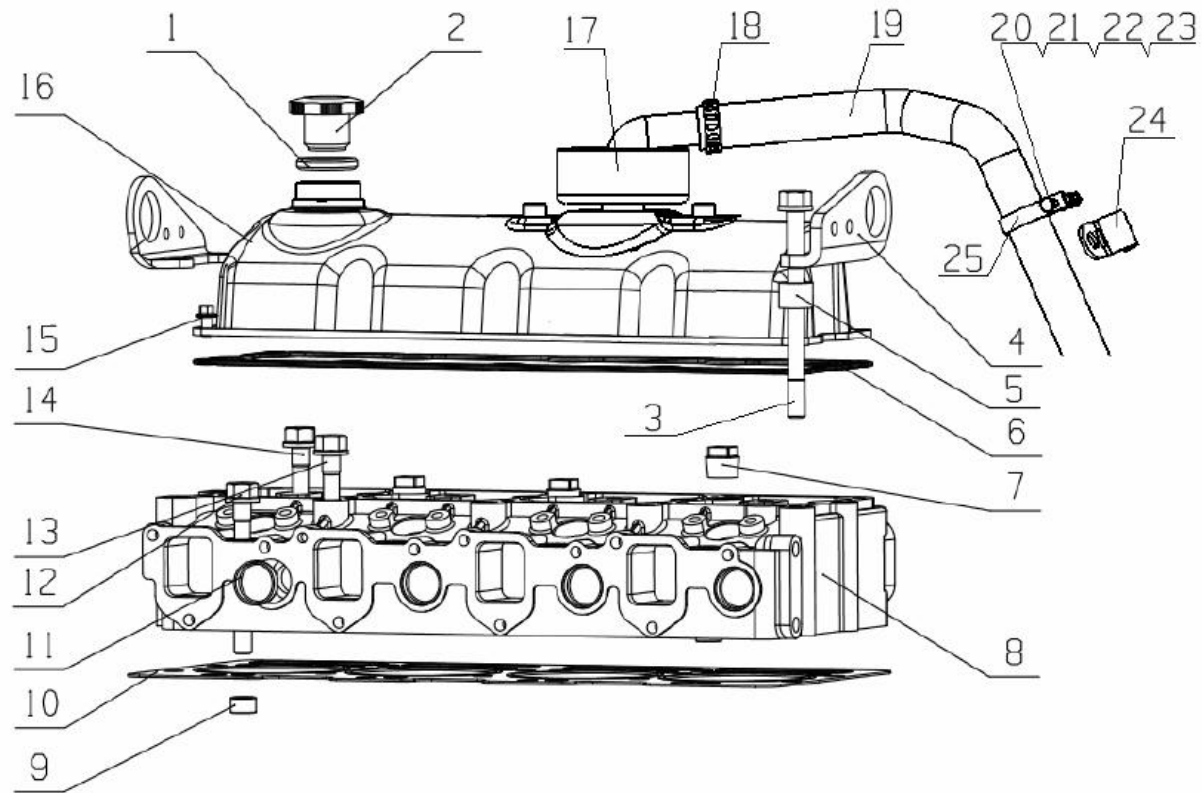
序号 Key	零件代号 Part No.	名称 Description	是否配件 Spare parts Y/N	数量 Qty	备注 Remarks
19	4110000560256	螺栓M8×22 Q150B0822	N	13	
20	4110000560297	垫圈 8 Q40108	N	24	
21	4110000560291	螺母 M8 Q340B08	N	5	
22	4110000560248	螺柱M8×65 Q1200865	N	3	
23	4110000560263	螺栓M8×55 Q150B0855	N	1	
24	4110000560135	多楔带惰轮D30-1002211B	Y	1	
25	4110000560136	隔套 D30-1002212A	Y	1	
26	4110000560339	O形圈2.65X75 YC208-B07500F	N	1	
27	4110000560125	动力转向泵盖板 D30-1002038	Y	1	
28	4110000560271	螺栓 M10X25 Q150B1025	N	2	

气缸盖总成D30-1003000B/08 CYLINDER HEAD ASSEMBLY D30-1003000B/08



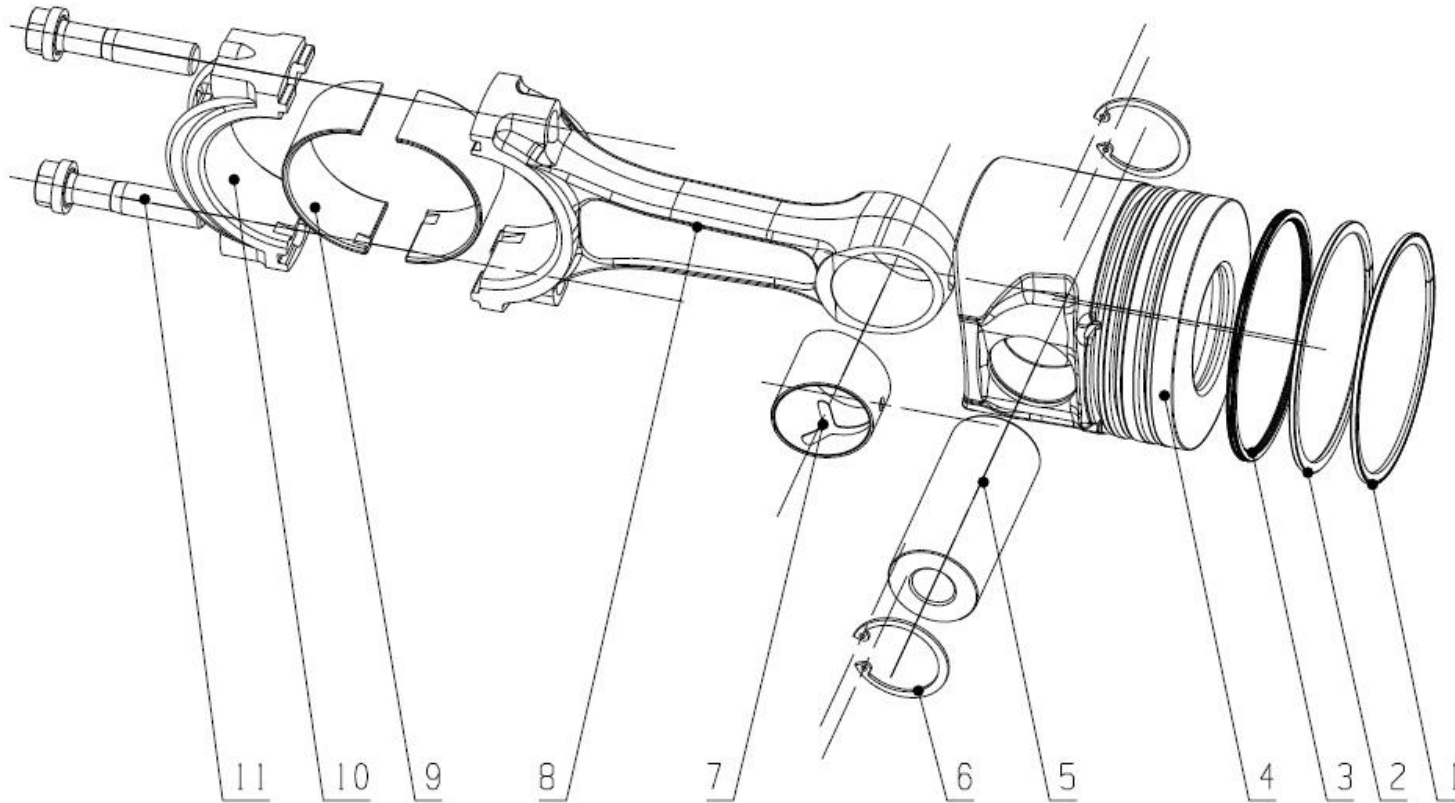
序号 Key	零件代号 Part No.	名称 Description	是否配件 Spare parts Y/N	数量 Qty	备注 Remarks
1	4110000560011	密封圈150-1003043C SEAL RING 150-1003043C	Y	1	
2	4110000560010	加机油口盖150-1003041F OIL FILLER CAP 150-1003041F	Y	1	
3	4110000560018	气缸盖长螺栓330-1003013B CYLINDER HEAD BOLT(LONG) 330-1003013B	Y	4	
4	4110000560057	吊耳6105Q-1003085 LIFTER 6105Q-1003085	Y	2	
5	4110000560141	垫圈D30-1003017 WASHER D30-1003017	Y	1	
6	4110000560143	气缸盖罩垫片D30-1003022C CYLINDER HEAD COVER GASKET D30-1003022C	Y	1	
7	4110000560329	螺塞NPT3/4 Q614B06 THREADED PLUG NPT3/4 Q614B06	N	3	
8	4110000560139	气缸盖D30-1003015B CYLINDER HEAD D30-1003015B	Y	1	
9	4110000560079	气缸盖定位销套6105QA-1003088 CYLINDER HEAD LOCATING PIN SLEEVE 6105QA-1003088	Y	2	
10	4110000108009	气缸盖垫片D30-1003011A SHIM	Y	1	
11	4110000560056	水套堵塞(一)6105Q-1003081 WATER JACKET PLUG(I) 6105Q-1003081	Y	8	
12	4110000560020	缸盖短螺栓(II) 330-1003018B CYLINDER HEAD BOLT(SHORT) 330-1003018B	Y	4	
13	4110000560019	气缸盖短螺栓330-1003014B CYLINDER HEAD BOLT(SHORT) 330-1003014B	Y	6	
14	4110000560142	缸盖短螺栓(II) D30-1003018 CYLINDER HEAD BOLT(SHORT) D30-1003018	Y	4	
15	4110000560282	螺栓M8×16 Q1840816 BOLT M8×16 Q1840816	N	10	
16	4110000560114	气缸盖罩焊接件D30-1003060C CYLINDER HEAD COVER WELDMENT D30-1003060C	Y	1	
17	4110000560111	上呼吸器组件D0300-1003260 UPPER BREATHER PARTS D0300-1003260	Y	1	
18	4110000560334	环箍38 Q67638 HOOP 38 Q67638	N	1	

气缸盖总成D30-1003000B/08 CYLINDER HEAD ASSEMBLY D30-1003000B/08



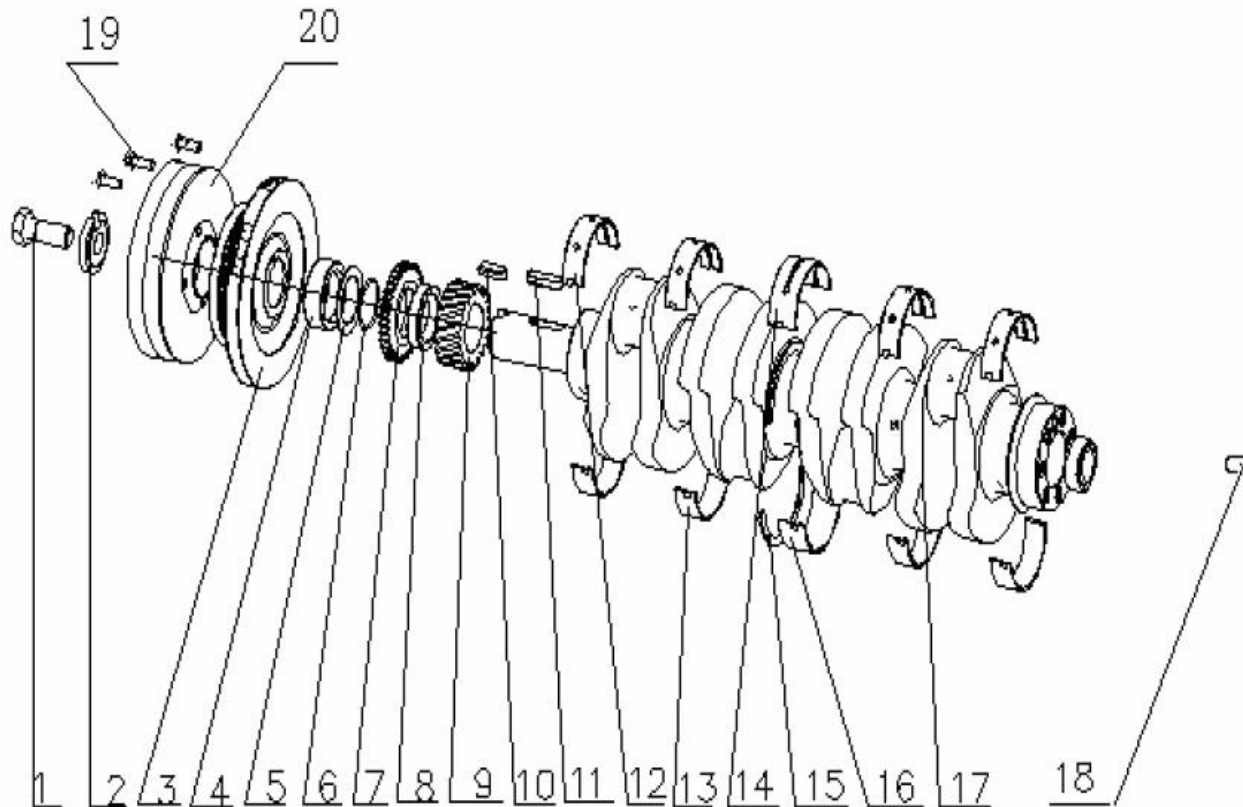
序号 Key	零件代号 Part No.	名称 Description	是否配件 Spare parts Y/N	数量 Qty	备注 Remarks
19	4110000560109	通气软管D01D2-1014003A	VENTILATE HOSE D01D2-1014003A	Y	1
20	4110000560252	螺栓M6X20 Q150B0620	BOLT M6X20 Q150B0620	N	1
21	4110000560296	垫圈6 Q40106	WASHER 6 Q40106	N	1
22	4110000560303	垫圈6 Q40306	WASHER 6 Q40306	N	1
23	4110000560290	螺母6 Q340B06	NUT 6 Q340B06	N	1
24	4110000560014	通气管支架1530-1014021	PIPE BRACKET 1530-1014021	Y	1
25	4110000560013	卡箍150-1014022	CATCH HOOP 150-1014022	Y	1
26	4110000560140	气缸盖组件D30-1003015B*	CYLINDER HEAD SUBASSEMBLY D30-1003015B*	Y	1

活塞连杆总成D30-1004000/04 PISTON & CONNECTING ROD ASSEMBLY D30-1004000/04



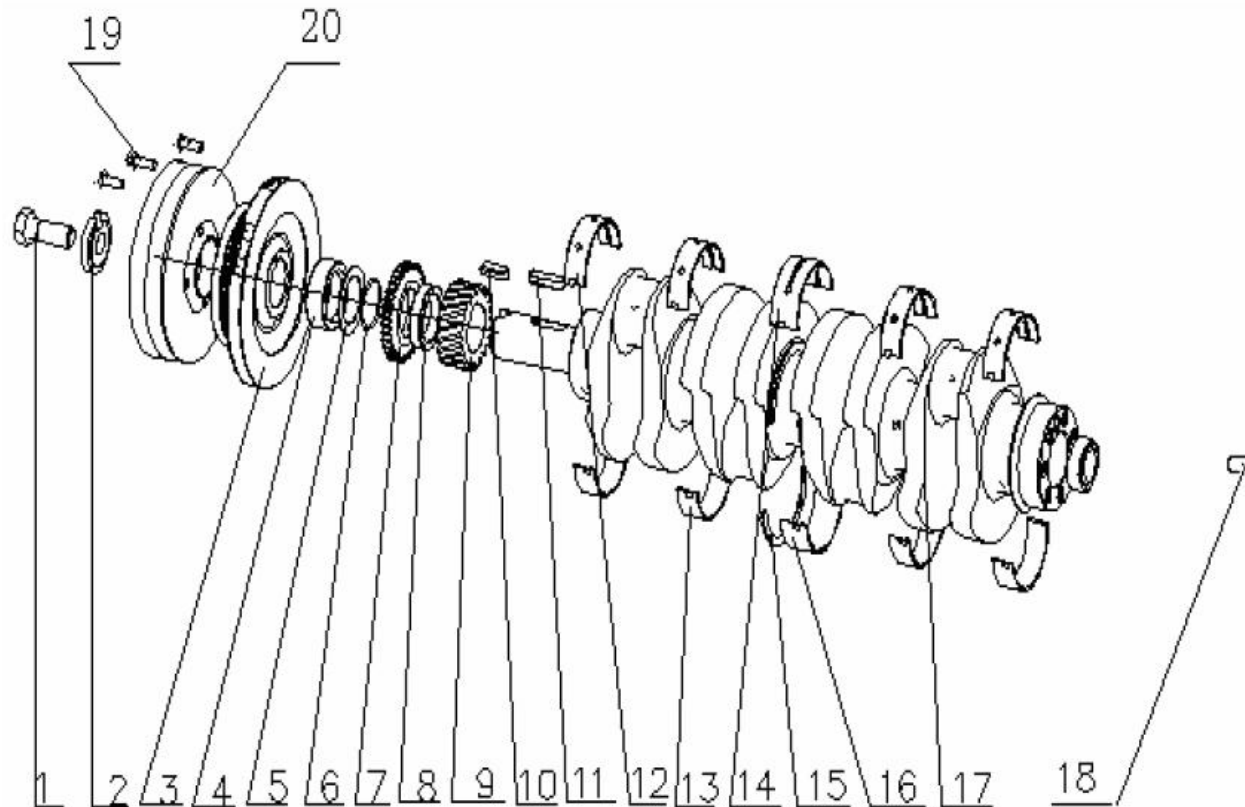
序号 Key	零件代号 Part No.	名称 Description	是否配件 Spare parts Y/N	数量 Qty	备注 Remarks	
1	4110000108019	第一道气环A30-1004016-玉柴	RING	N	4	
2	4110000108020	第二道气环A30-1004017-玉柴	RING	N	4	
3	4110000108021	油环总成A30-1001030-玉柴	OIL RING A30-1001030	Y	4	
4	4110000560147	活塞D30-1004001	PISTON D30-1004001	Y	4	
5	4110000560058	活塞销6105Q-1004019B	PISTON PIN 6105Q-1004019B	Y	4	
6	4110000560322	挡圈38 Q43038	RETAINING RING 38 Q43038	N	8	
7	4110000560039	连杆衬套530-1004052	CONNECTING ROD SLEEVE 530-1004052	Y	4	
8	4110000560038	连杆体530-1004051	CONNECTING ROD 530-1004051	N	4	
9	4110000560037	连杆轴瓦530-1004019	CONNECTING ROD BEARING SHELL 530-1004019	Y	8	
10	4110000560040	连杆盖530-1004053	CONNECTING ROD COVER 530-1004053	N	4	
11	4110000560041	连杆螺栓530-1004054	CONNECTING ROD BOLT 530-1004054	Y	8	

曲轴及飞轮总成 CRANKSHAFT & FLYWHEEL ASSEMBLY



序号 Key	零件代号 Part No.	名称 Description	是否配件 Spare parts Y/N	数量 Qty	备注 Remarks
1	4110000560029	曲轴皮带轮紧固螺栓430-1005052E	TIGHTENING BOLT OF CRANKSHAFT BELT PULLEY 430-1005052E	Y	1
2	4110000560043	曲轴头垫片 I 530-1005018B	CRANKSHAFT END GASKET I 530-1005018B	Y	1
3	4110000560151	皮带轮减震器总成D30-1005030A	BELT PULLEY VIBRATION DAMPER ASSEMBLY D30-1005030A	Y	1
4	4110000560042	皮带轮隔套530-1005017 A	BELT PULLEY SPACER SLEEVE 530-1005017 A	Y	1
5	4110000560044	垫片530-1005024	WASHER 530-1005024	Y	1
6	4110000560338	O 形圈 2.65×43.7 YC208-B04370F	O-RING 2.65×43.7 YC208-B04370F	N	1
7	4110000560149	机油泵驱动齿轮D30-1005022	OIL PUMP DRIVING GEAR D30-1005022	Y	1
8	4110000560150	隔套D30-1005023	SPACER SLEEVE D30-1005023	Y	1
9	4110000560059	曲轴正时齿轮6105Q-1005021	CRANKSHAFT TIMING GEAR 6105Q-1005021	Y	1
10	4110000560222	键 C12×32 GB/T1096-C1232	KEY C12×32 GB/T1096-C1232	Y	1
11	4110000560327	键 12×45 Q5511245	KEY 12×45 Q5511245	N	1
12	4110000108012	上轴瓦（窄）D30-1005054-玉柴	BEARING SHELL D30-1005054	N	4
13	4110000108013	下轴瓦（窄）D30-1005055-玉柴	BEARING SHELL D30-1005055	N	4
14	4110000108014	上轴瓦（宽）D30-1005056A-玉柴	BEARING SHELL D30-1005056A	N	1
15	4110000560060	曲轴止推片6105Q-1005058A	CRANKSHAFT THRUST PLATE 6105Q-1005058A	Y	4
16	4110000108015	下轴瓦（宽）D30-1005057-玉柴	BEARING SHELL D30-1005057	N	1
17	4110000560148	曲轴D30-1005015A	CRANKSHAFT D30-1005015A	Y	1
18	4110000560346	圆柱销YC24-B1226	PIN YC24-B1226	N	1

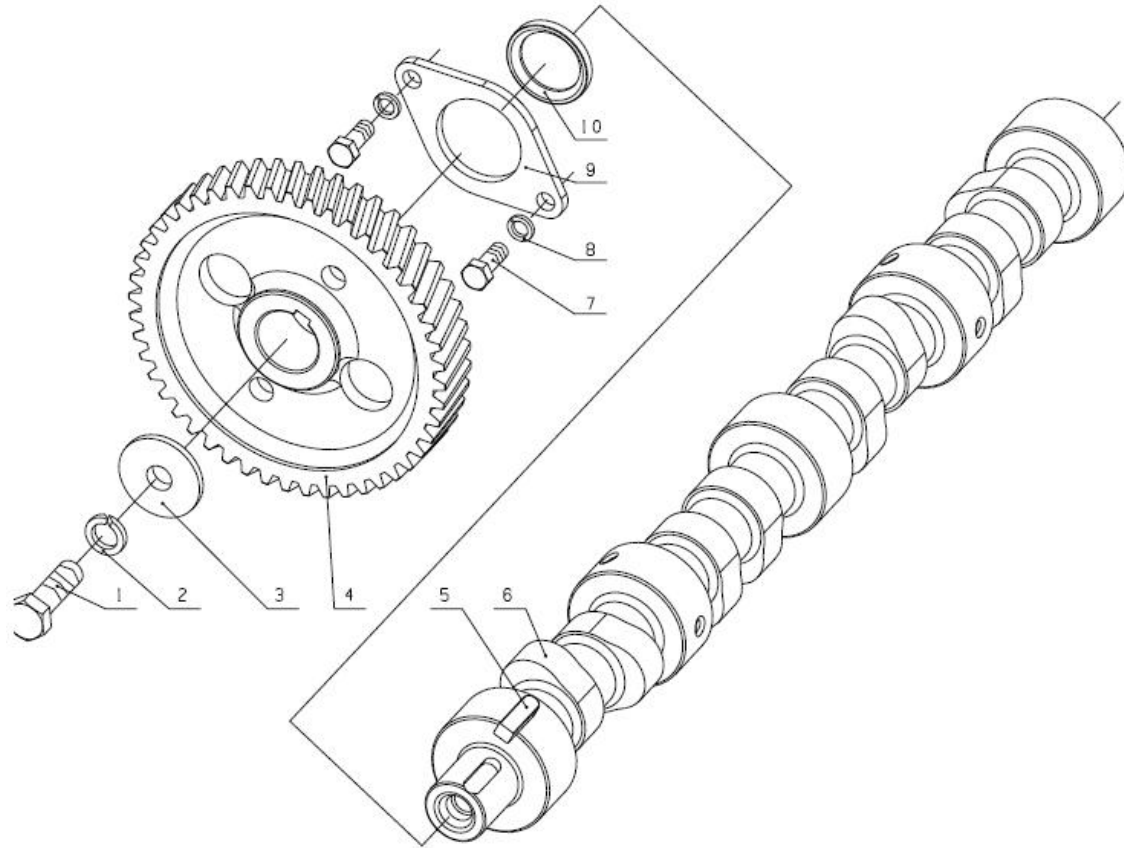
曲轴及飞轮总成 CRANKSHAFT & FLYWHEEL ASSEMBLY



序号 Key	零件代号 Part No.	名称 Description	是否配件 Spare parts Y/N	数量 Qty	备注 Remarks
19	4110000560283	螺栓 M8×25 Q1840825TF2	N	4	
20	4110000560108	附加皮带轮D0132-1005016	Y	1	

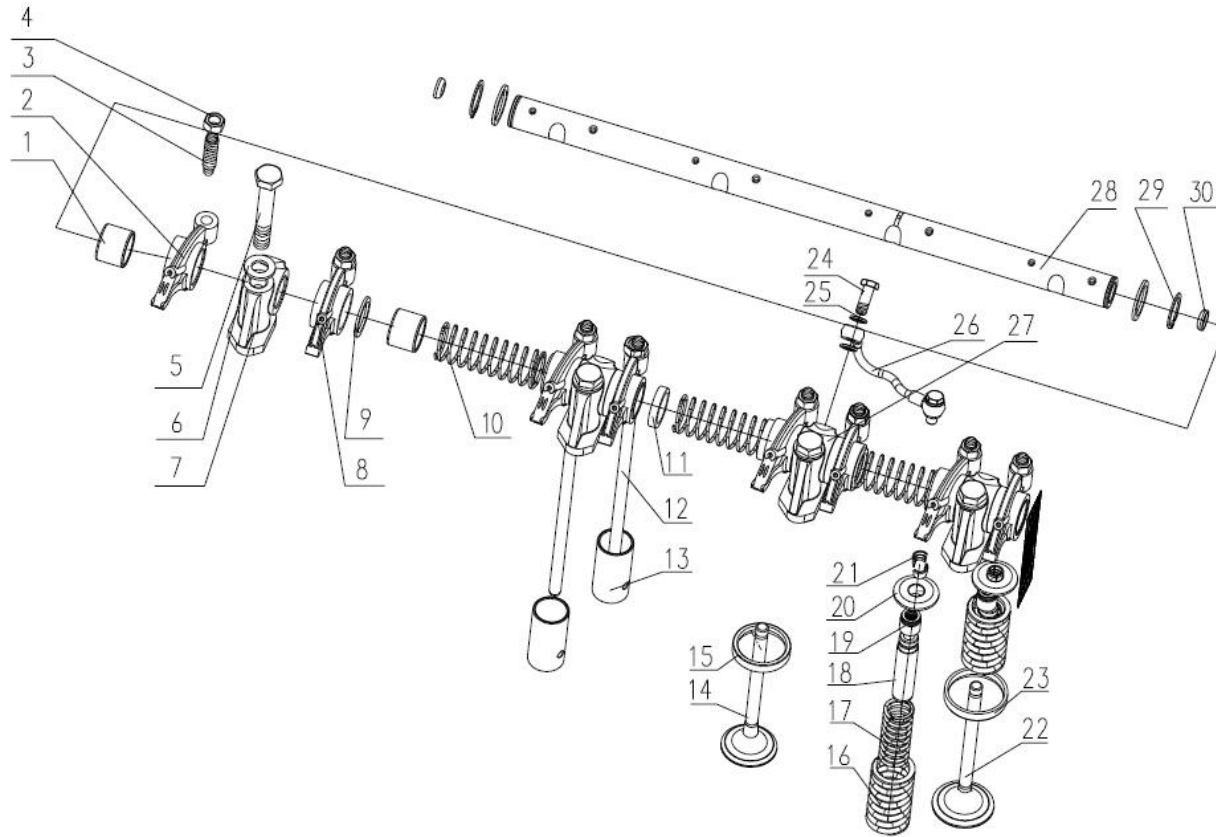


凸轮轴总成D30-1006000A/05 CAMSHAFT ASSEMBLY D30-1006000A/05



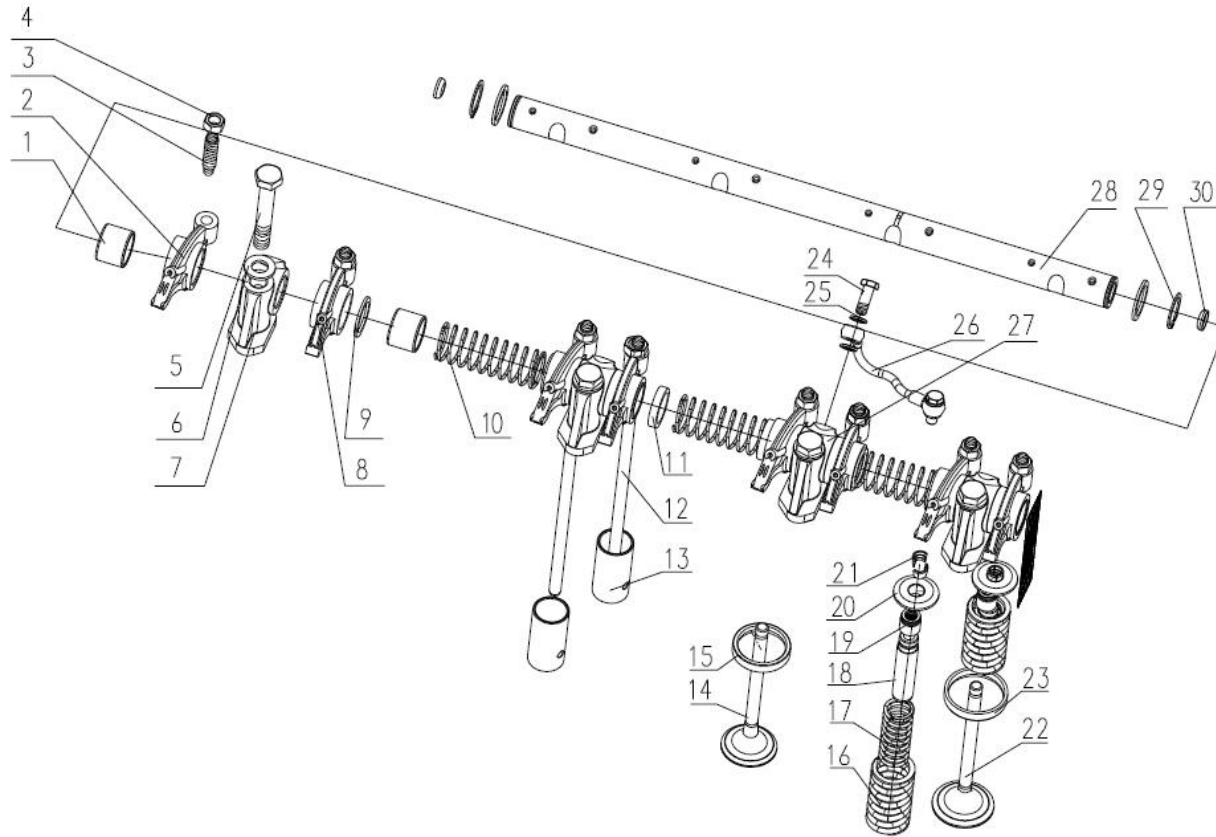
序号 Key	零件代号 Part No.	名称 Description	是否配件 Spare parts Y/N	数量 Qty	备注 Remarks
1	4110000560280	螺栓 M12×38 Q150B1238TF2	BOLT M12×38 Q150B1238TF2	N	1
2	4110000560320	垫圈12 Q40312	WASHER Q40312	N	1
3	4110000560085	垫圈630-1006019	WASHER 630-1006019	Y	1
4	4110000560154	凸轮轴正时齿轮D30-1006021	CAMSHAFT TIMING GEAR D30-1006021	Y	1
5	4110000560221	键 C8×28 GB/T1096-C0828	KEY C8×28 GB/T1096-C0828	Y	1
6	4110000560152	凸轮轴D30-1006001	CAMSHAFT D30-1006001	Y	1
7	4110000560234	螺栓 M8×20 Q/YC1820820TF2	BOLT M8×20 Q/YC1820820TF2	N	1
8	4110000560305	停用-垫圈 8 Q40308	WASHER 8 Q40308	N	2
9	4110000560153	凸轮轴止推片D30-1006016	CAMSHAFT THRUST PLATE D30-1006016	Y	2
10	4110000561085	隔圈-凸轮轴正时齿轮6105Q-1006017	SPACER-CAMSHAFT TIMING GEAT 6105Q-1006017	Y	1

气门挺杆总成D30-1007000A /06 VALVE TAPPET ASSEMBLY D30-1007000A /06



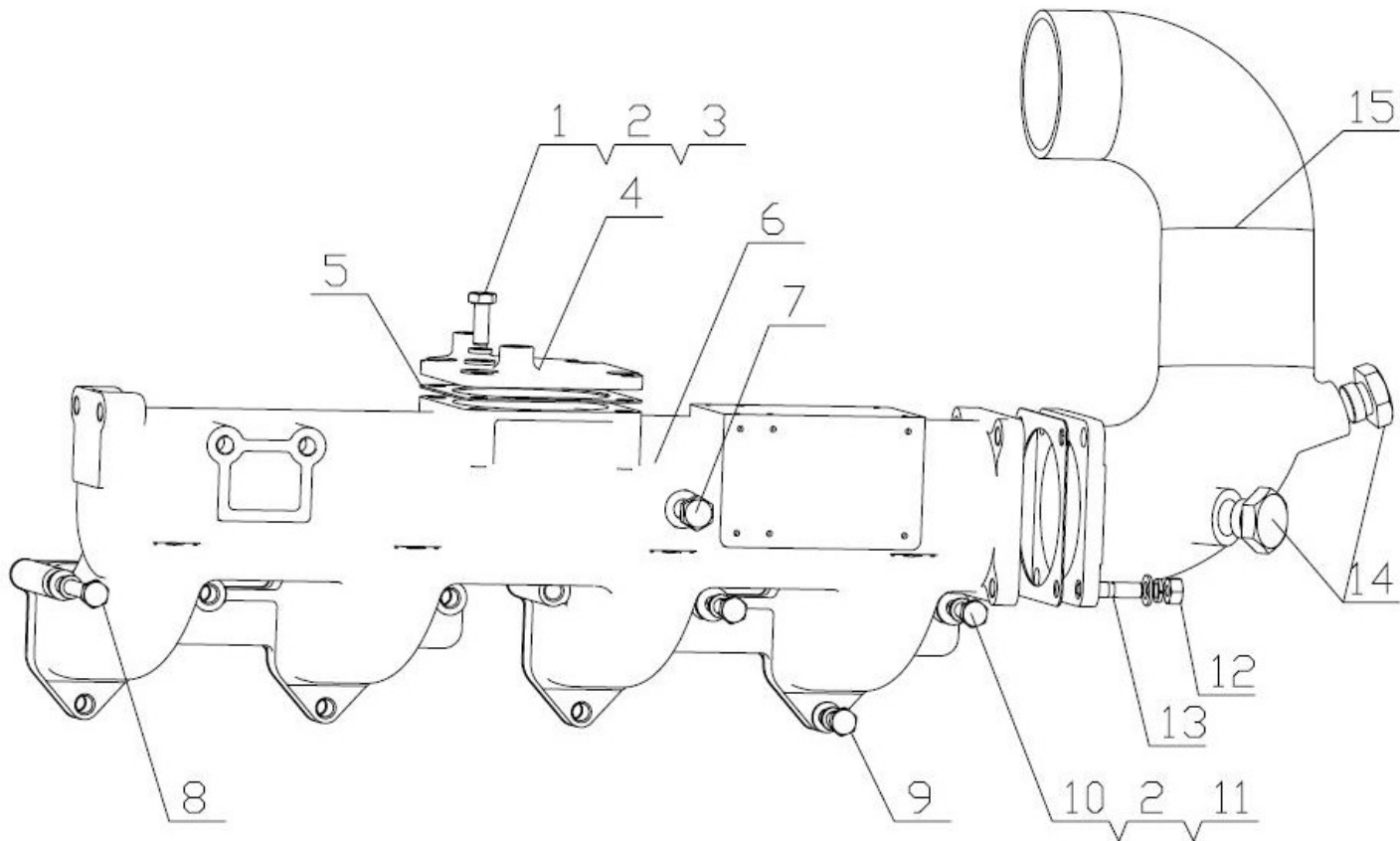
序号 Key	零件代号 Part No.	名称 Description	是否配件 Spare parts Y/N	数量 Qty	备注 Remarks
1	4110000560226	进气门摇臂衬套J3100-1007144	N	8	
2	4110000560225	进气门摇臂J3100-1007143	N	4	
3	4110000560083	气门调整螺钉6105QA-1007053	Y	8	
4	4110000560063	锁紧螺母6105Q-1007054	Y	4	
5	4110000560158	六角头螺栓D30-1007036	Y	4	
6	4110000560101	垫圈A30-1007092	Y	3	
7	4110000560156	摇臂轴座(二) D30-1007033	N	8	
8	4110000560227	排气门摇臂J3100-1007153	N	4	
9	4110000560080	摇臂轴垫圈6105QA-1007031	Y	6	
10	4110000560081	气门摇臂轴弹簧6105QA-1007032	Y	3	
11	4110000560155	摇臂轴垫圈D30-1007031	Y	2	
12	4110000560161	推杆D30-1007002	Y	8	
13	4110000560065	挺杆D30-1007001	Y	8	
14	4110000560145	进气门D30-1003111B	Y	4	
15	4110000560032	进气门座430-1007019	Y	4	
16	4110000560061	气门外弹簧6105Q-1007022	Y	8	
17	4110000560062	气门内弹簧6105Q-1007023	Y	8	
18	4110000560031	气门导管430-1007018	Y	8	

气门挺杆总成D30-1007000A /06 VALVE TAPPET ASSEMBLY D30-1007000A /06



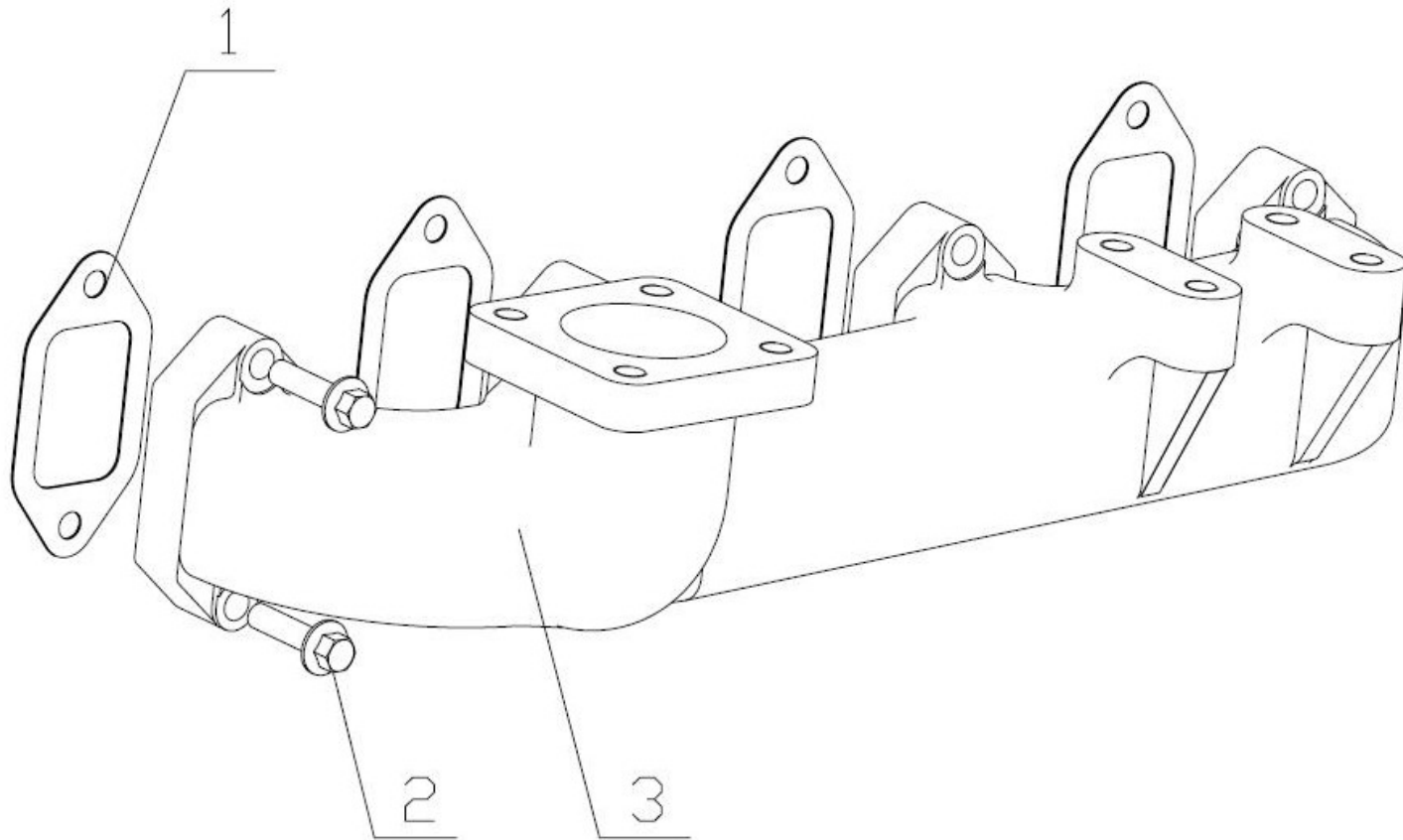
序号 Key	零件代号 Part No.	名称 Description	是否配件 Spare parts Y/N	数量 Qty	备注 Remarks
19	4110000560030	气门杆油封430-1007016A	VALVE STEM OIL SEAL 430-1007016A	Y	8
20	4110000560146	气门弹簧上座D30-1003116	VALVE SPRING UPPER SEAT D30-1003116	Y	8
21	4110000560012	气门锁夹150-1007021E	VALVE LOCK CLAMP 150-1007021E	Y	16
22	4110000560144	排气门D30-1003103B	EXHAUST VALVE D30-1003103B	Y	4
23	4110000560033	排气门座430-1007021	EXHAUST VALVE SEAT 430-1007021	Y	4
24	4110000560064	接头螺栓6105Q-1007073	JOINT BOLT 6105Q-1007073	Y	2
25	4110000560232	复合式密封垫圈8 Q/YC149-8	COMPOUND SEAL RING 8 Q/YC149-8	N	4
26	4110000560159	油管焊接件D30-1007075A	OIL PIPE WELDMENT D30-1007075A	Y	1
27	4110000560157	摇臂轴座（一）D30-1007034	ROCKER ARM SHAFT SEAT(I) D30-1007034	N	1
28	4110000560162	摇臂轴D30-1007101	ROCKER ARM SHAFT D30-1007101	N	1
29	4110000560324	挡圈 25 Q43125	RETAINING RING 25 Q43125	N	2
30	4110000560082	碗形塞片6105QA-1007042	BOWL- STYLE PLUG 6105QA-1007042	Y	2

进气管部件和进气接管部件 AIR INTAKE PIPE PARTS & AIR INTAKE CONNECTING PIPE PARTS
D7019-1008100/04&D7019-1008500/03



序号 Key	零件代号 Part No.	名称 Description	是否配件 Spare parts Y/N	数量 Qty	备注 Remarks
1	4110000560256	螺栓M8×22 Q150B0822	N	4	
2	4110000560306	停用-垫圈 8 Q40308	N	18	
3	4110000560297	垫圈 8 Q40108	N	14	
4	4110000560200	进气管盖板D7019-1008108	N	1	
5	4110000560045	垫片530-1008019A	Y	1	
6	4110000560163	进气管D30-1008101F	Y	1	
7	4110000560236	螺塞 M10X1 Q/YC198-10	N	1	
8	4110000560267	螺栓 M8X75 Q150B0875	N	2	
9	4110000560259	螺栓 M8X30 Q150B0830	N	4	
10	4110000560260	螺栓 M8X32 Q150B0832	N	4	
11	4110000560078	垫圈6105Q-3509013	Y	4	
12	4110000560291	螺母 M8 Q340B08	N	4	
13	4110000560245	螺柱 M8X25 Q1200825	N	4	
14	4110000560239	螺塞 M20X1.5 Q/YC198-20	N	2	
15	4110000560199	进气接管D7019-1008102A	Y	1	

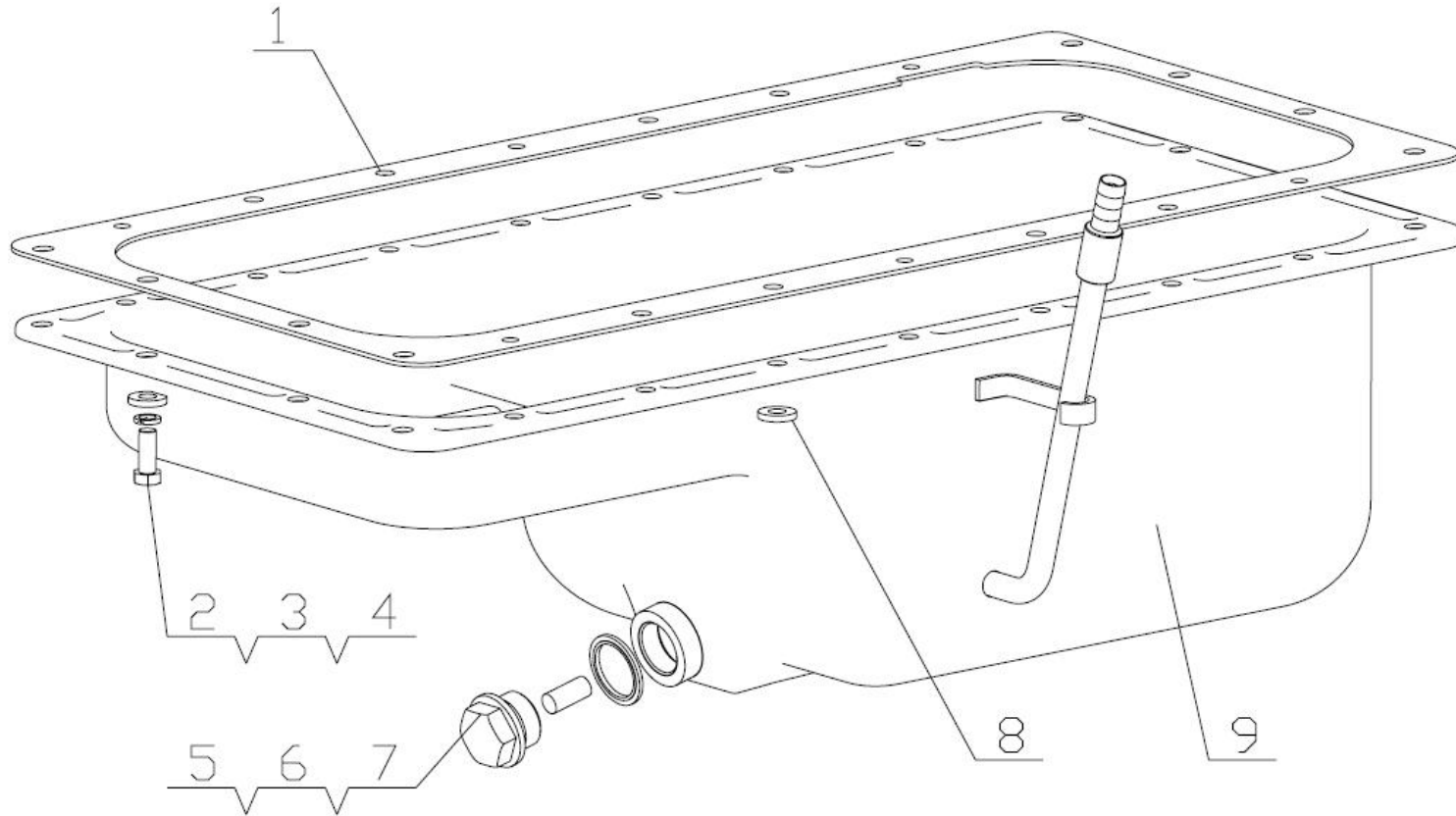
排气管部件D7100-1008200/04 AIR EXHAUST PIPE PARTS D7100-1008200/04



序号 Key	零件代号 Part No.	名称 Description	是否配件 Spare parts Y/N	数量 Qty	备注 Remarks
1	4110000560118	排气管垫片组件D2000-1008250B	EXHAUST PIPE GASKET COMPONENT D2000-1008250B	Y	4
2	4110000560086	排气管螺栓630-1008022A	EXHAUST PIPE BOLT 630-1008022A	Y	8
3	4110000560210	排气管D7100-1008021	EXHAUST PIPE D7100-1008021	Y	1



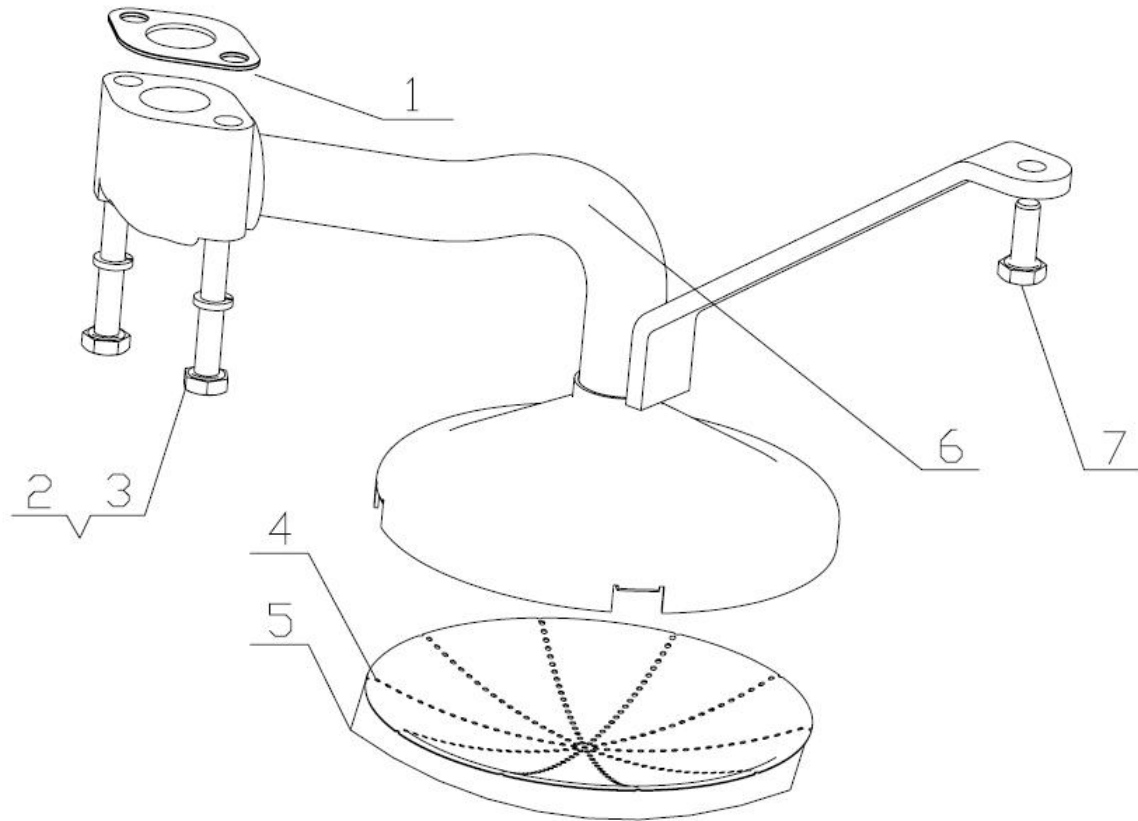
油底壳总成D7019-1009000/02 OIL SUMP ASSEMBLY D7019-1009000/02



序号 Key	零件代号 Part No.	名称 Description	是否配件 Spare parts Y/N	数量 Qty	备注 Remarks
1	4110000560164	油底壳垫片D30-1009011C OIL SUMP GASKET D30-1009011C	Y	1	
2	4110000560233	螺栓 M8X20 Q/YC1820820 BOLT M8X20 Q/YC1820820	N	22	
3	4110000560307	停用-垫圈 8 Q40308 WASHER 8 Q40308	N	22	
4	4110000560165	垫圈 7 D30-1009102A WASHER 7 D30-1009102A	Y	7	
5	4110000560066	放油塞6105Q-1009031C OIL DRAIN PLUG 6105Q-1009031C	Y	1	
6	4110000560067	放油塞磁铁6105Q-1009032A OIL DRAIN PLUG MAGNET 6105Q-1009032A	Y	1	
7	4110000560231	复合式密封垫圈 27 Q/YC149-27 COMPOOUND SEAL WASHER 27 Q/YC149-27	N	1	
8	4110000560078	垫圈6105Q-3509013 WASHER 6105Q-3509013	Y	18	
9	4110000560201	油底壳组件D7019-1009040 OIL SUMP PARTS D7019-1009040	Y	1	



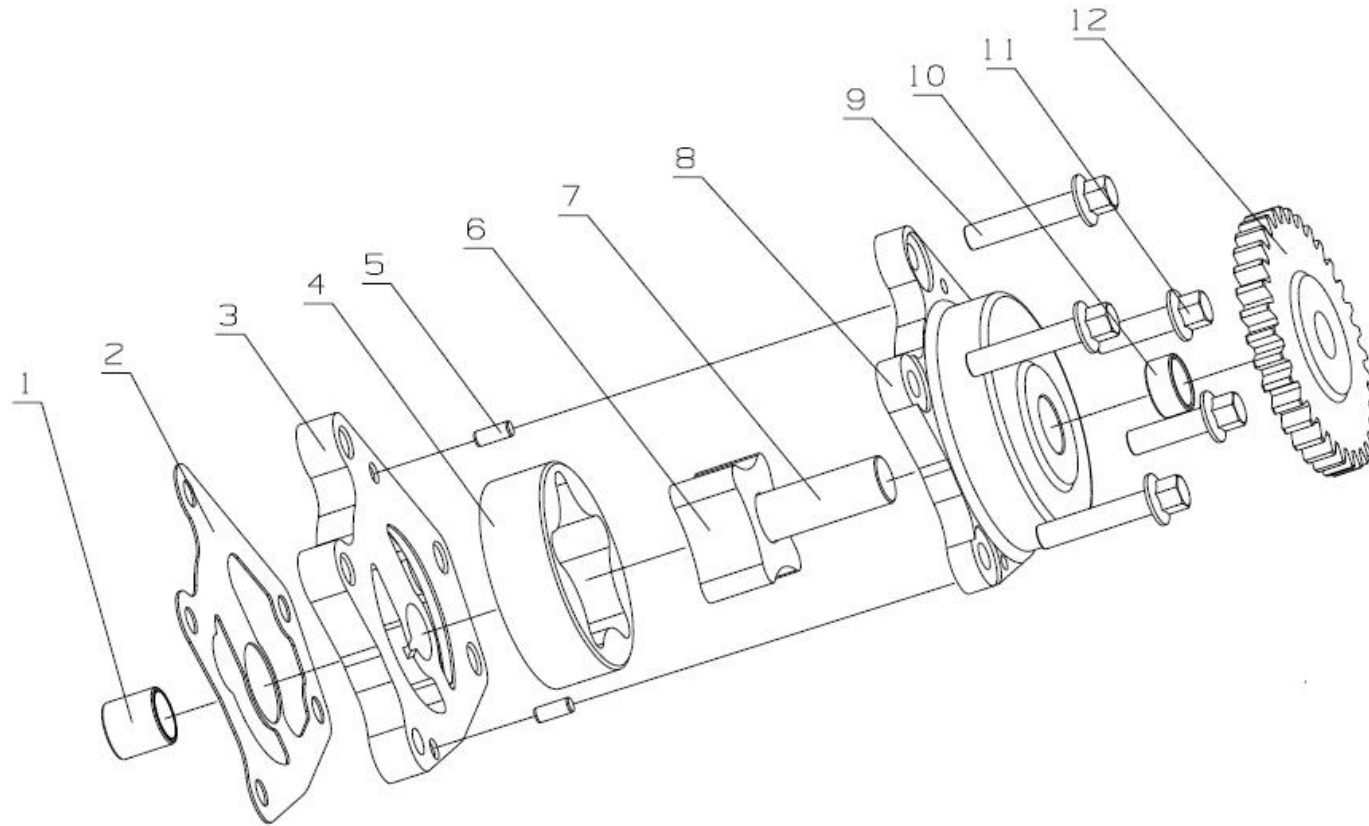
机油集滤器总成D0302-1010000/03 OIL STRAINER ASSEMBLY D0302-1010000/03



序号 Key	零件代号 Part No.	名称 Description	是否配件 Spare parts Y/N	数量 Qty	备注 Remarks
1	4110000560166	垫片组合件D30-1010050A GASKET COMPONENT D30-1010050A	Y	1	
2	4110000560262	螺栓 M8×50 Q150B0850TF2 BOLT M8×50 Q150B0850TF2	N	2	
3	4110000560304	垫圈 8 Q40308 WASHER 8 Q40308	N	3	
4	4110000560034	滤网475D-1010132 FILTER SCREEN 475D-1010132	Y	2	
5	4110000560084	滤网托架6105QA-1010131A SCREEN BRACKET 6105QA-1010131A	Y	1	
6	4110000560112	吸油管焊接件D0302-1010010B OIL SUCTION PIPE WELDMENT D0302-1010010B	Y	1	
7	4110000560255	螺栓 M8×20 Q150B0820TF2 BOLT M8×20 Q150B0820TF2	N	3	

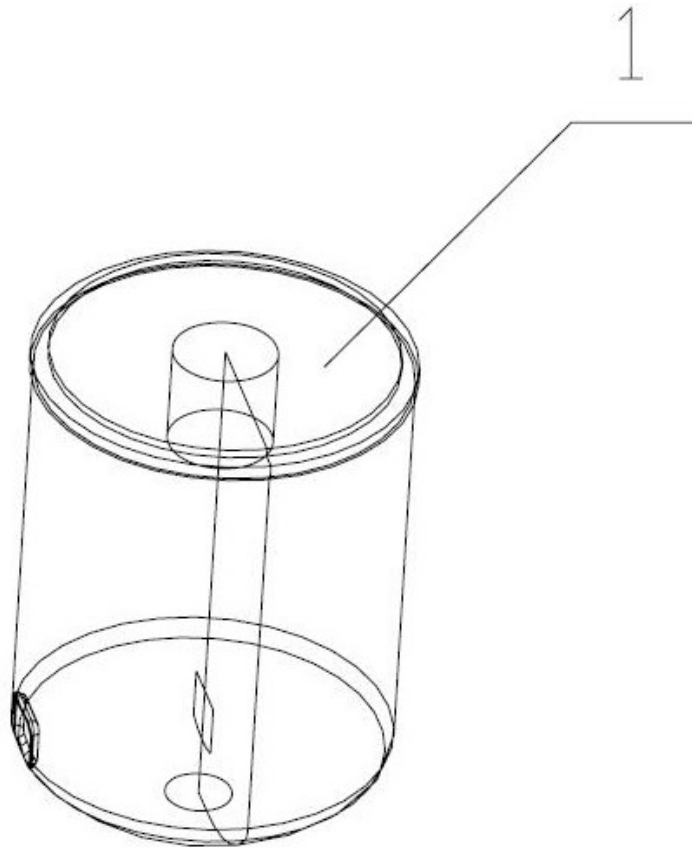


机油泵总成D30-1011000A/07 OIL PUMP ASSEMBLY D30-1011000A/07



序号 Key	零件代号 Part No.	名称 Description	是否配件 Spare parts Y/N	数量 Qty	备注 Remarks
1	4110000560048	机油泵轴衬套 (II) 530-1011034	OIL PUMP SHAFT BUSHING (II) 530-1011034	N	1
2	4110000560170	垫片D30-1011041B	GASKET D30-1011041B	Y	1
3	4110000560168	机油泵盖D30-1011031A	OIL PUMP COVER D30-1011031A	N	1
4	4110000560172	外转子D30-1011053A	OUTER ROTOR D30-1011053A	N	1
5	4110000560343	圆柱销 5X12 YC24-0512	STRAIGHT PIN 5×12 YC24-0512	N	2
6	4110000560173	内转子D30-1011052A	INNER ROTOR D30-1011052A	N	1
7	4110000560171	机油泵轴D30-1011051A	OIL PUMP SHAFT D30-1011051A	N	1
8	4110000560169	机油泵体D30-1011035A	OIL PUMP BODY D30-1011035A	N	1
9	4110000560241	螺栓Q/YC207-0840	BOLT Q/YC207-0840	N	3
10	4110000560047	机油泵轴衬套 (I) D30-1011033	OIL PUMP SHAFT BUSHING(I) D30-1011033	N	1
11	4110000560240	螺栓 M8X28 Q/YC207-0828	BOLT M8X28 Q/YC207-0828	N	2
12	4110000560167	机油泵从动齿轮D30-1011011B	DRIVEN GEAR OF OIL PUMP D30-1011011B	Y	1

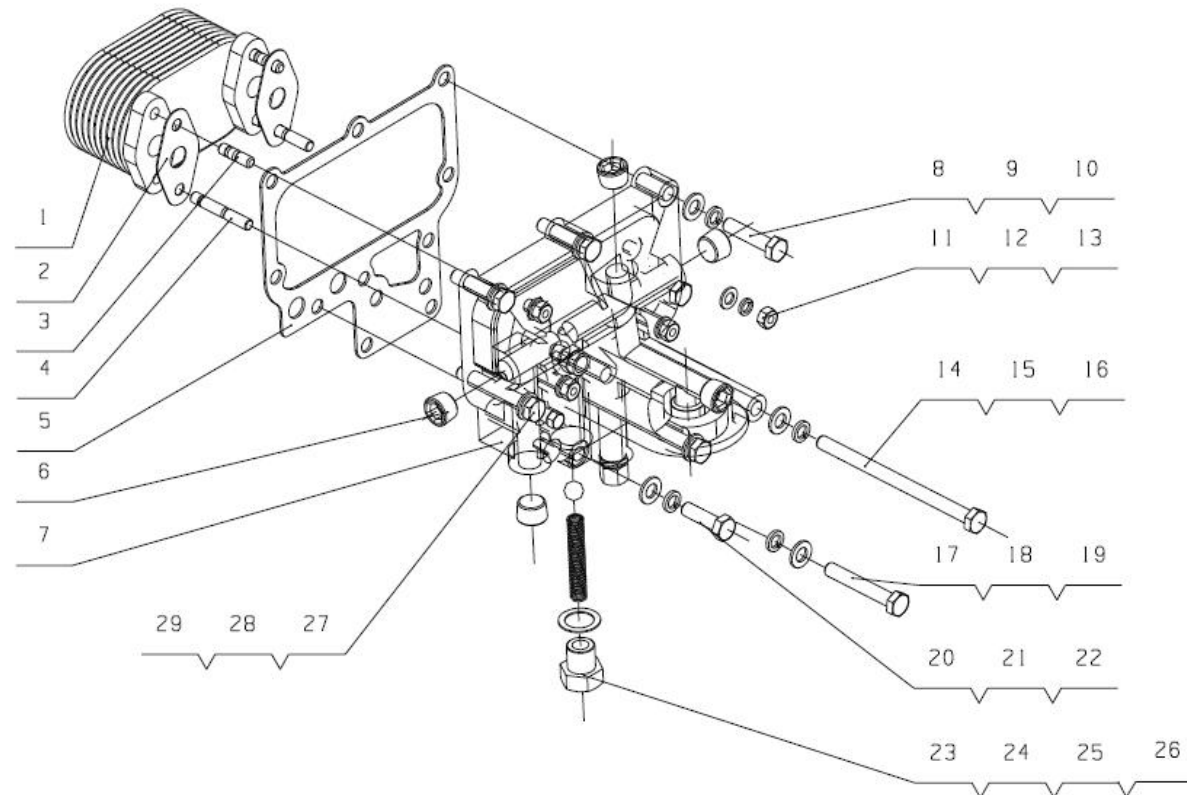
机油滤清器D9900-1012000/02 OIL FILTER D9900-1012000/02



序号 Key	零件代号 Part No.	名称 Description	是否配件 Spare parts Y/N	数量 Qty	备注 Remarks	
1	4110000560002	机油滤清器150-1012000C	OIL-FILTER 150-1012000C	Y	1	

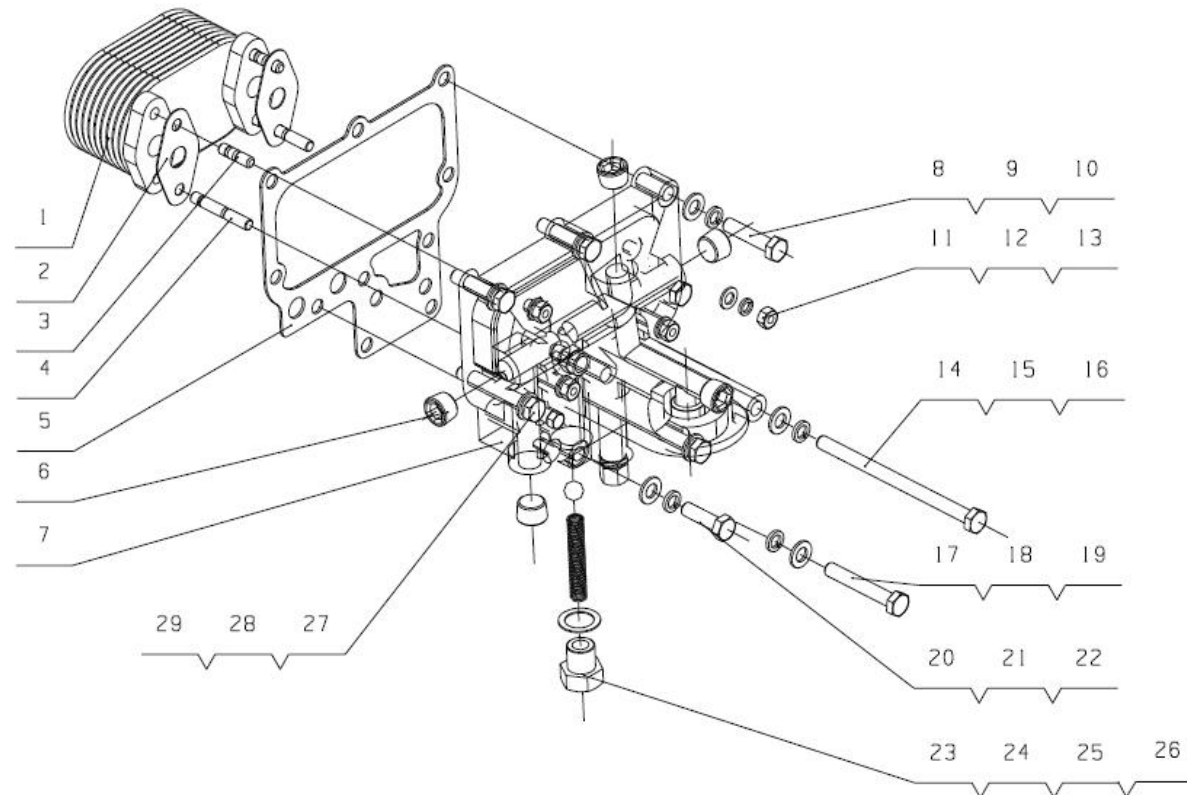


机油冷却器总成D30-1013000A/10 OIL COOLER ASSEMBLY D30-1013000A/10



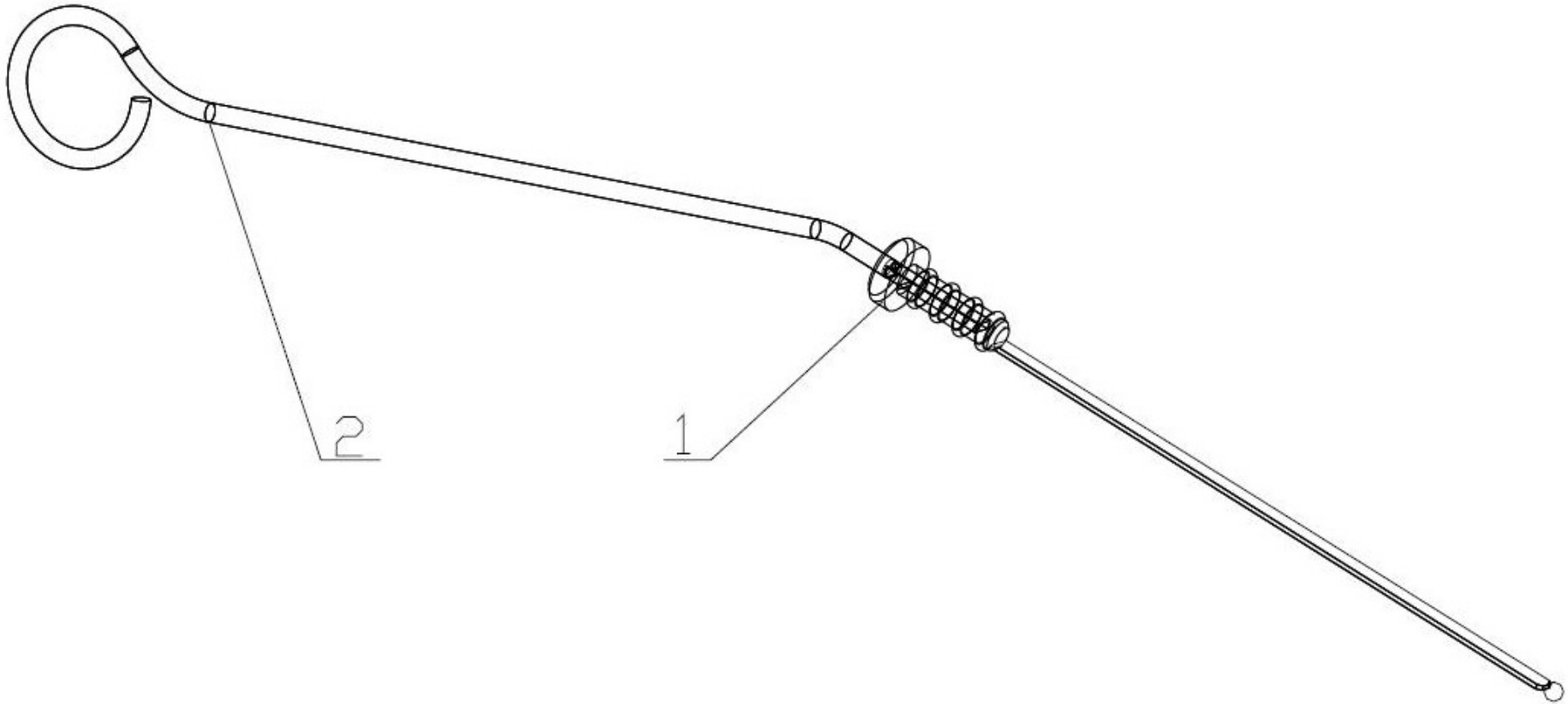
序号 Key	零件代号 Part No.	名称 Description	是否配件 Spare parts Y/N	数量 Qty	备注 Remarks
1	4110000560176	机油冷却器芯D30-1013013	OIL COOLER CORE D30-1013013	Y	1
2	4110000560177	垫片D30-1013014	GASKET D30-1013014	Y	2
3	4110000560243	螺柱 M8X20 Q1200820	BOLT M8X20 Q1200820	N	2
4	4110000560247	螺柱 M8X45 Q1200845	BOLT M8X45 Q1200845	N	2
5	4110000560175	垫片D30-1013012B	GASKET D30-1013012B	Y	1
6	4110000560332	螺塞 NPT1/2 Q61904	SCREW PLUG NPT1/2 Q61904	N	5
7	4110000560174	机油冷却器盖D30-1013011C	OIL COOLER COVER D30-1013011C	N	1
8	4110000560298	垫圈 10 Q40110	WASHER 10 Q40110	N	4
9	4110000560319	垫圈 10 Q40310	WASHER 10 Q40310	N	4
10	4110000560275	螺栓 M10X45 Q150B1045	BOLT M10X45 Q150B1045	N	4
11	4110000560297	垫圈 8 Q40108	WASHER 8 Q40108	N	4
12	4110000560308	停用-垫圈 8 Q40308	WASHER 8 Q40308	N	4
13	4110000560025	螺母 M8 340B08	NUT M8 340B08	N	4
14	4110000560298	垫圈 10 Q40110	WASHER 10 Q40110	N	2
15	4110000560319	垫圈 10 Q40310	WASHER 10 Q40310	N	2
16	4110000560269	螺栓 M10X150 Q150B10150	BOLT M10X150 Q150B10150	N	2
17	4110000560298	垫圈 10 Q40110	WASHER 10 Q40110	N	1
18	4110000560319	垫圈 10 Q40310	WASHER 10 Q40310	N	1

机油冷却器总成D30-1013000A/10 OIL COOLER ASSEMBLY D30-1013000A/10



序号 Key	零件代号 Part No.	名称 Description	是否配件 Spare parts Y/N	数量 Qty	备注 Remarks
19	4110000560277	螺栓 M10X70 Q150B1065	N	1	
20	4110000560298	垫圈 10 Q40110	N	2	
21	4110000560319	垫圈 10 Q40310	N	2	
22	4110000560273	螺栓 M10X35 Q150B1035	N	2	
23	4110000560224	钢球 14G100b GB/T308-14G100b	N	1	
24	4110000560049	旁通阀弹簧530-1013015	N	1	
25	4110000560178	垫圈D30-1013017	N	1	
26	4110000560050	旁通阀螺塞530-1013016	N	1	
27	4110000560298	垫圈 10 Q40110	N	1	
28	4110000560319	垫圈 10 Q40310	N	1	
29	4110000560277	螺栓 M10X70 Q150B1065	N	1	

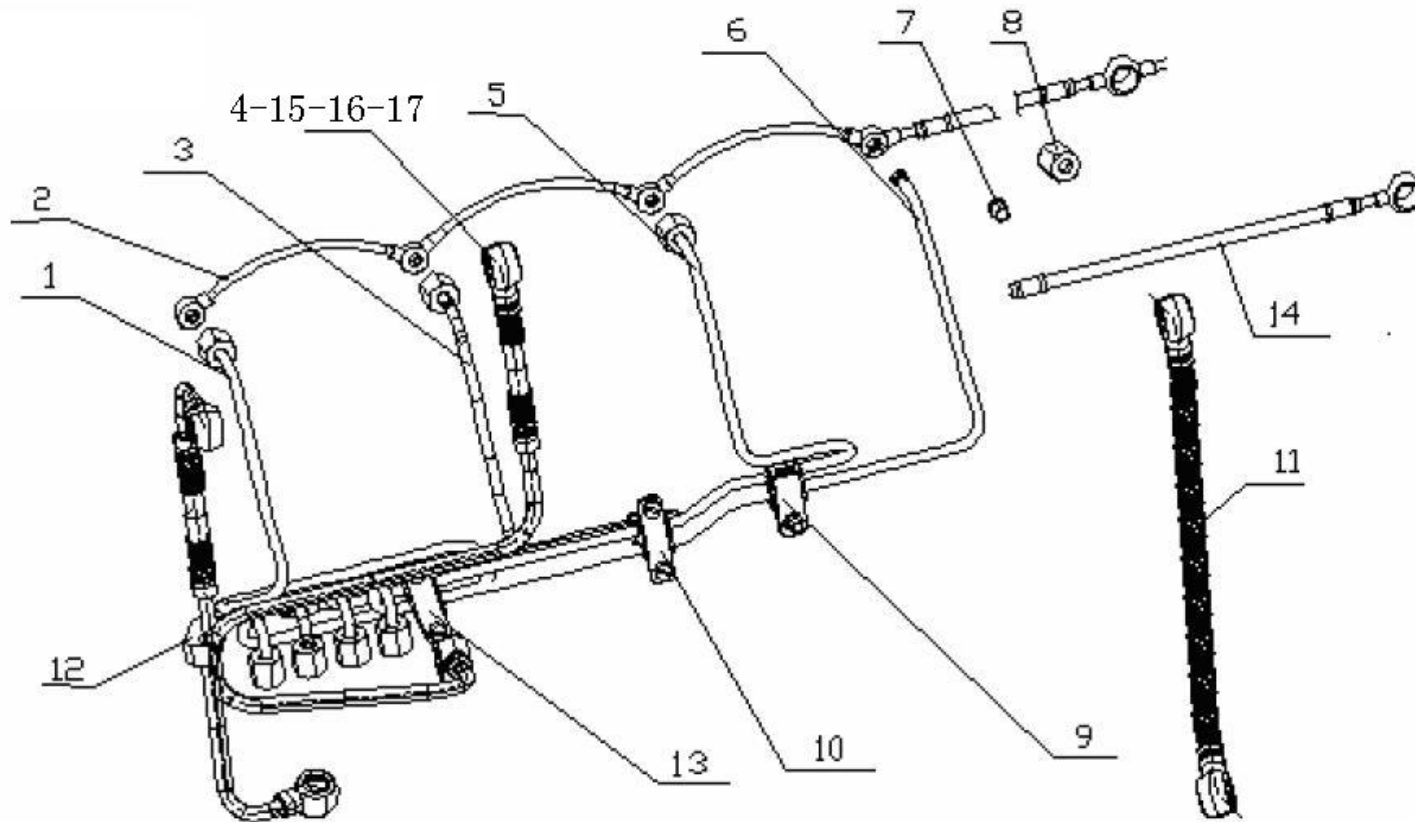
游标尺部件A5701-1002600/02 OIL DIPSTICK PARTS A5701-1002600/02



序号 Key	零件代号 Part No.	名称 Description	是否配件 Spare parts Y/N	数量 Qty	备注 Remarks
1	4110000560218	橡胶件F3000-1002601	RUBBER PARTS F3000-1002601	Y	1
2	4110000560103	游标尺组件A5701-1002600	DIPSTICK PARTS A5701-1002600	Y	1

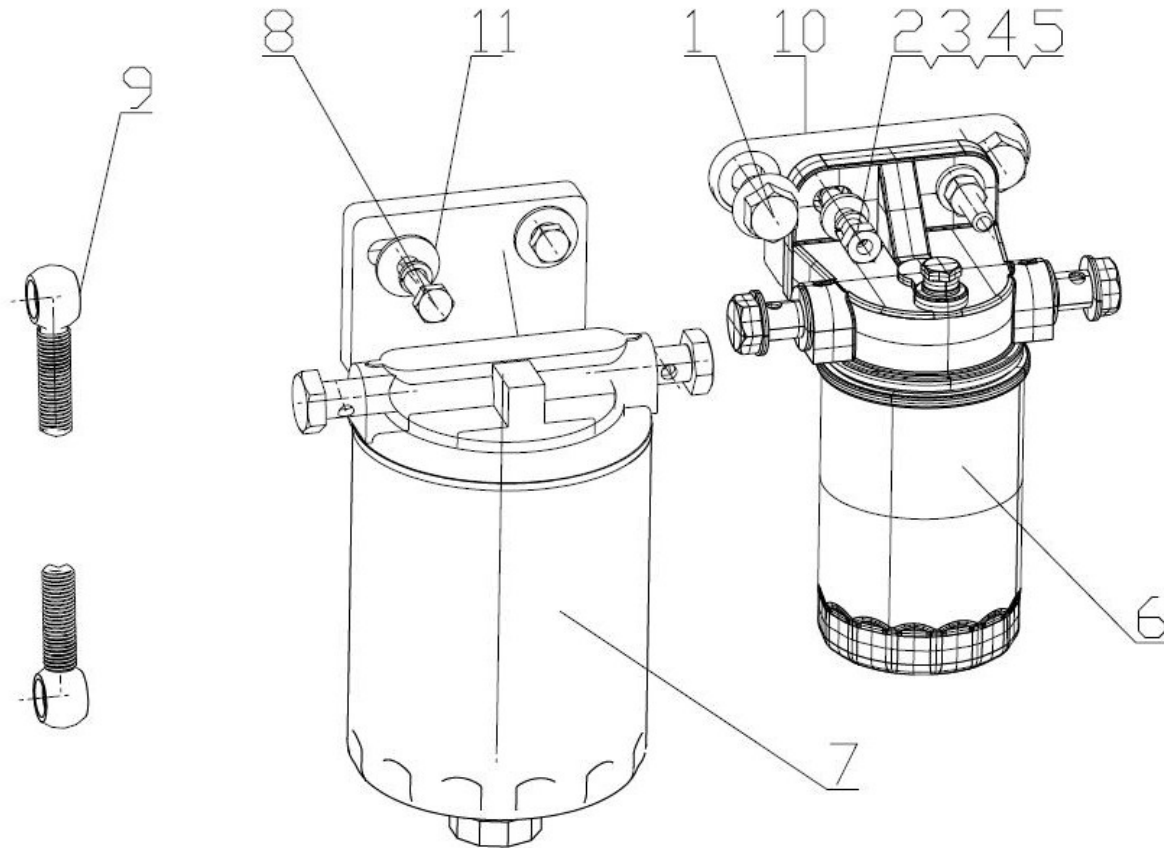


柴油管路总成D7019-1104000/12 FUEL SUPPLY SYSTEM PIPELINE ASSEMBLY D7019-1104000/12



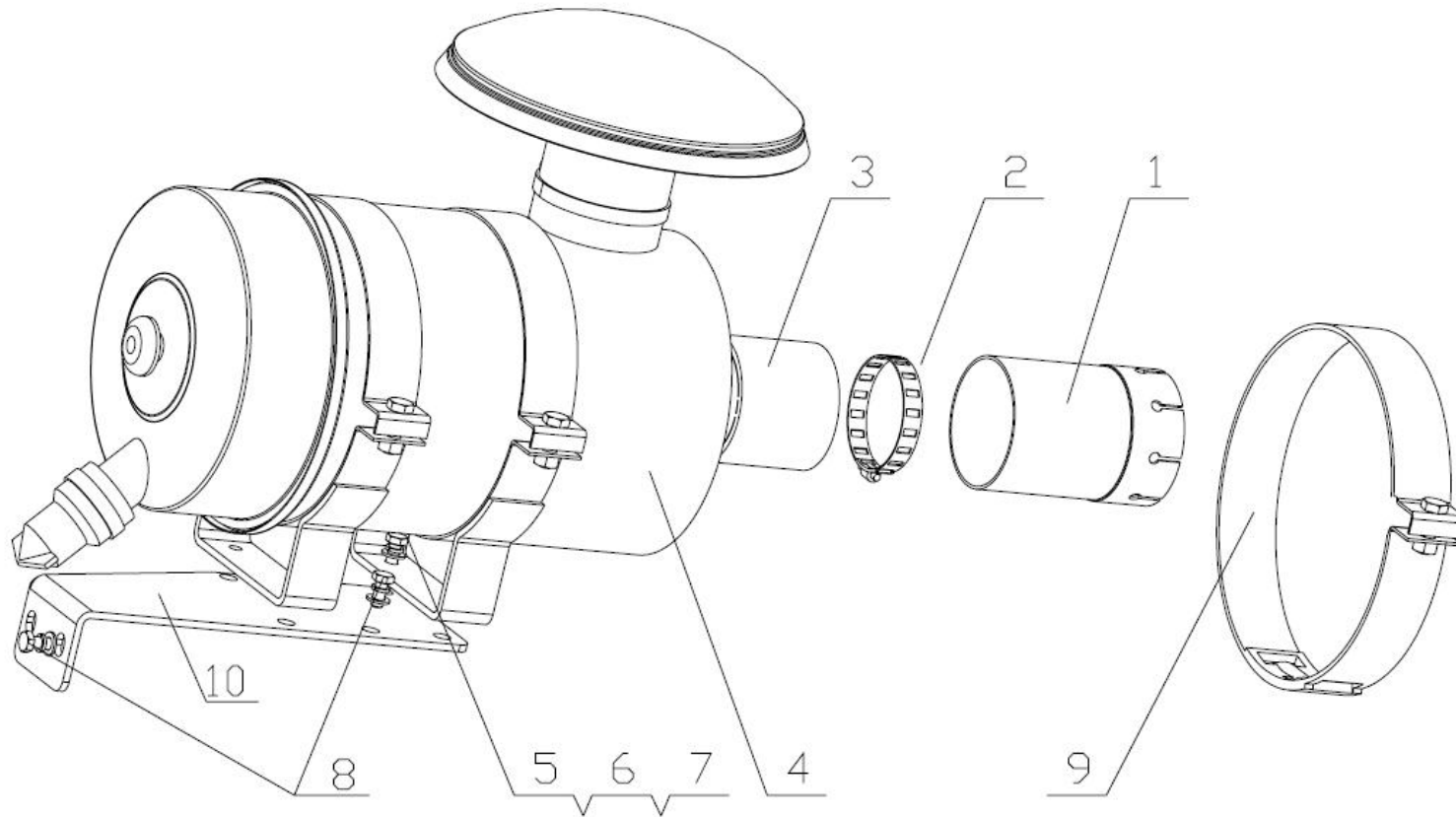
序号 Key	零件代号 Part No.	名称 Description	是否配件 Spare parts Y/N	数量 Qty	备注 Remarks	
1	4110000560180	第一缸高压油管组件D30-11041A0	NO.1 CYLINDER HIGH-PRESSURE PIPE D30-11041A0	Y	1	
2	4110000560196	回油管组件D7018-1104240	OIL RETURN PIPE SUBASSEMBLY D7018-1104240	Y	1	
3	4110000560181	第二缸高压油管组件D30-11041B0	NO.2 CYLINDER HIGH-PRESSURE PIPE D30-11041B0	Y	1	
4	4110000560070	柴滤器进油管总成6105Q-1104090B	FUEL INLET PIPE ASSEMBLY,FUEL FILTER 6105Q-1104090B	Y	1	
5	4110000560182	第三缸高压油管组件D30-11041C0	NO.3 CYLINDER HIGH-PRESSURE PIPE D30-11041C0	Y	1	
6	4110000560183	第四缸高压油管组件D30-11041D0	NO.4 CYLINDER HIGH-PRESSURE PIPE D30-11041D0	Y	1	
7	4110000560069	油管护套6105Q-1104023	PIPE SLEEVE 6105Q-1104023	Y	8	
8	4110000560068	管接螺母6105Q-1104022	PIPE CONNECTING NUT 6105Q-1104022	Y	8	
9	4110000560021	两管夹固定总成330-1104080	TWO-PIPE CLAMPS FIXED ASSEMBLY 330-1104080	Y	1	
10	4110000560179	管夹固定总成D30-1104110	PIPE CLAMP FIXED ASSEMBLY D30-1104110	Y	1	
11	4110000560092	柴滤进油管总成636-1104090A	FUEL INLET PIPE ASSEMBLY,FUEL FILTER 636-1104090A	Y	1	
12	4110000560217	四管夹固定总成E0200-1104050	FOUR-PIPE CLAMPS FIXED ASSEMBLY E0200-1104050	N	1	
13	4110000560022	三管夹固定总成330-1104090	THREE-PIPE CLAMPS FIXED ASSEMBLY 330-1104090	Y	1	
14	4110000560197	回油接管组件D7018-1104250	FUEL RETURN CONNECTING PIPE PARTS D7018-1104250	Y	1	
15	4110000560087	柴滤进油管 I 630-1104305	FUEL INLET PIPE I,FUEL FILTER 630-1104305	N	1	
16	4110000560001	喷油泵进油管总成6105Q-1104100B	HOSE 6105Q-1104100B	Y	1	
17	4110000560088	油管630-1104403	FUEL PIPE 630-1104403	N	1	

柴油滤清器总成 FUEL FILTER ASSEMBLY



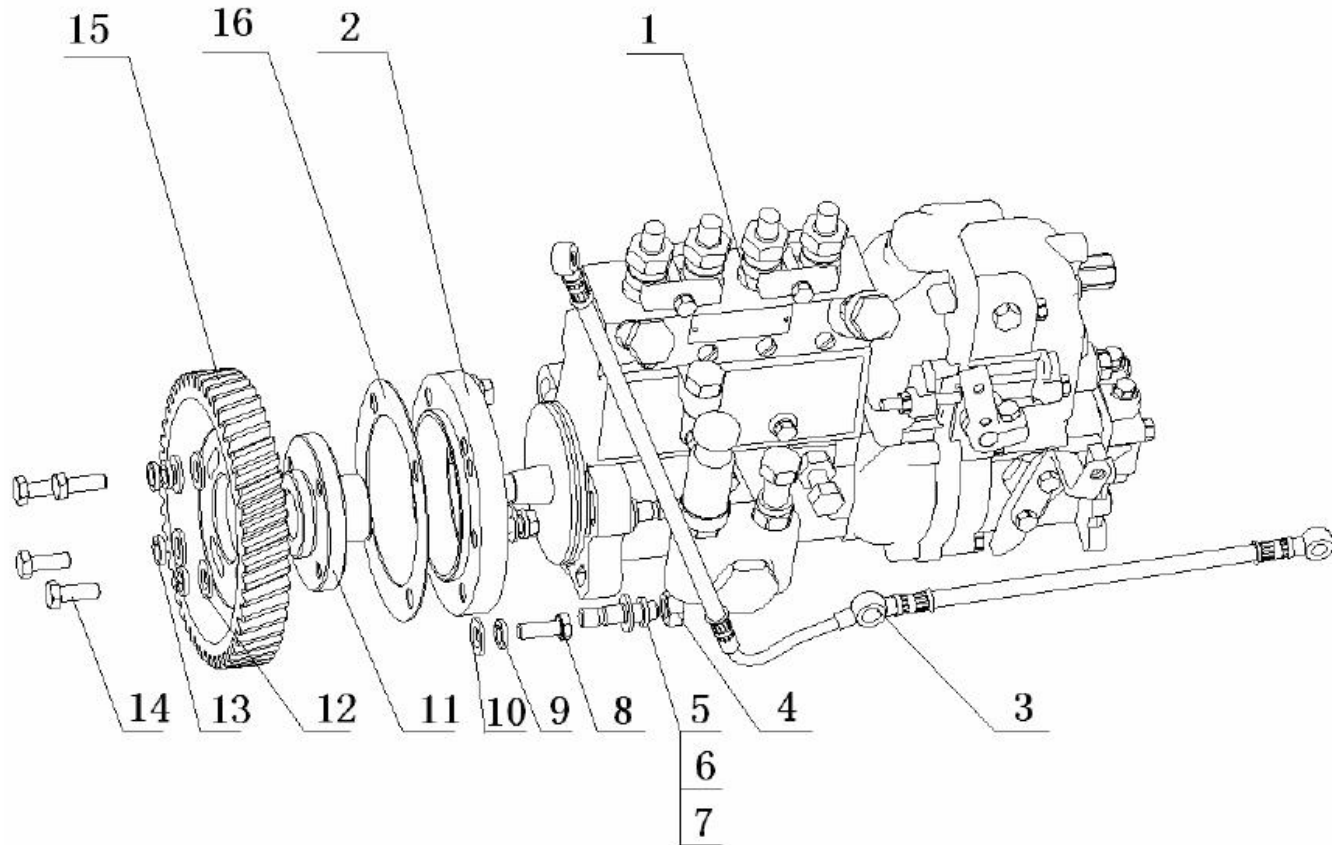
序号 Key	零件代号 Part No.	名称 Description	是否配件 Spare parts Y/N	数量 Qty	备注 Remarks
1	4110000560287	螺栓 M12X15 Q1841215TF2	N	2	
2	4110000560291	螺母 M8 Q340B08	N	2	
3	4110000560309	停用-垫圈 8 Q40308	N	4	
4	4110000560078	垫圈6105Q-3509013	Y	2	
5	4110000560246	螺柱 M8X25 Q1200825TF2	N	2	
6	4110000560007	柴油滤清器D30-1105010	Y	1	
7	4110000560006	停用-燃油粗滤芯B7604-1105200	Y	1	
8	4110000560258	螺栓 M8X25 Q150B0825TF2	N	2	
9	4110000560001	喷油泵进油管总成6105Q-1104100B	Y	1	
10	4110000560202	柴滤器支架D7019-1105003	Y	1	
11	4110000560301	垫圈 8 Q40202	N	2	

空气滤清器总成D7019-1109000/06 AIR FILTER ASSEMBLY D7019-1109000/06



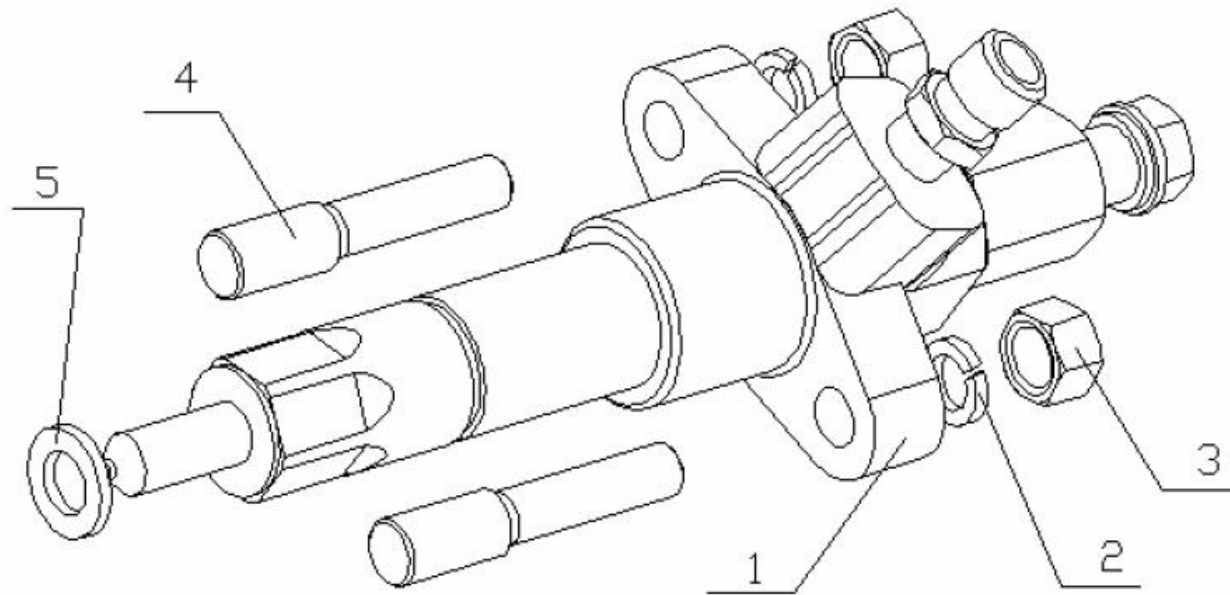
序号 Key	零件代号 Part No.	名称 Description	是否配件 Spare parts Y/N	数量 Qty	备注 Remarks
1	4110000560204	空滤器进气接管D7019-1109071	AIR INTAKE CONNECTING PIPE,AIR FILTER D7019-1109071	Y	1
2	4110000560336	环箍 89 Q67689	HOOP LOOP 89 Q67689	N	2
3	4110000560093	空滤器连接胶管640-1109001	CONNECTING HOSE,AIR FILTER 640-1109001	Y	1
4	4110000560209	空气滤清器D7300-1109010	AIR FILTER D7300-1109010	Y	1
5	4110000560256	螺栓M8×22 Q150B0822	BOLT M8X22 Q150B0822	N	4
6	4110000560310	停用-垫圈 8 Q40308	WASHER 8 Q40308	N	8
7	4110000560297	垫圈 8 Q40108	WASHER 8 Q40108	N	8
8	4110000560253	螺栓 M8X18 Q150B0818	BOLT M8X18 Q150B0818	N	4
9	4110000560094	空滤器喉箍总成641-1109030	COLLAR ASSEMBLY, AIR FILTER 641-1109030	N	1
10	4110000560203	支托底板D7019-1109042A	BRACKET BOTTOM D7019-1109042A	Y	1

喷油泵总成D7014-1111000/13 FUEL INJECTION PUMP ASSEMBLY D7014-1111000/13



序号 Key	零件代号 Part No.	名称 Description	是否配件 Spare parts Y/N	数量 Qty	备注 Remarks
1	4110000560195	喷油泵D7002-1111050-493 INJECTION PUMP D7002-1111050-493	Y	1	
2	4110000560185	喷油泵连接板D30-1111061 INJECTION PUMP CONNECTING PLATE D30-1111061	Y	1	
3	4110000560184	喷油泵机油管组件D30-1111040C INJECTION PUMP OIL PIPE PARTS D30-1111040C	Y	1	
4	4110000560292	螺母 M10 Q340B10 NUT M10 Q340B10	N	4	
5	4110000560319	垫圈 10 Q40310 WASHER 10 Q40310	N	4	
6	4110000560298	垫圈 10 Q40110 WASHER 10 Q40110	N	4	
7	4110000560249	螺柱 M10X30 Q1201030TF2 STUD M10X30 Q1201030TF2	N	4	
8	4110000560235	螺栓 M10X22 Q/YC1821022TF2 BOLT M10X22 Q/YC1821022TF2	N	4	
9	4110000560319	垫圈 10 Q40310 WASHER 10 Q40310	N	4	
10	4110000560298	垫圈 10 Q40110 WASHER 10 Q40110	N	4	
11	4110000560212	喷油泵齿轮连接板D7100-1111101A GEAR CONNECTING PLATE,INJECTION PUM D7100-1111101A	Y	1	
12	4110000560302	垫圈 8 Q40208 WASHER 8 Q40208	N	4	
13	4110000560311	停用-垫圈 8 Q40308 WASHER 8 Q40308	N	4	
14	4110000560257	螺栓 M8X22 Q150B0822TF2 BOLT M8X22 Q150B0822TF2	N	4	
15	4110000560211	燃油喷射泵齿轮D7100-1111003A INJECTION PUMP GEAR D7100-1111003A	Y	1	
16	4110000560186	连接板垫片D30-1111062A CONNECTING PLATE GASKET D30-1111062A	Y	1	

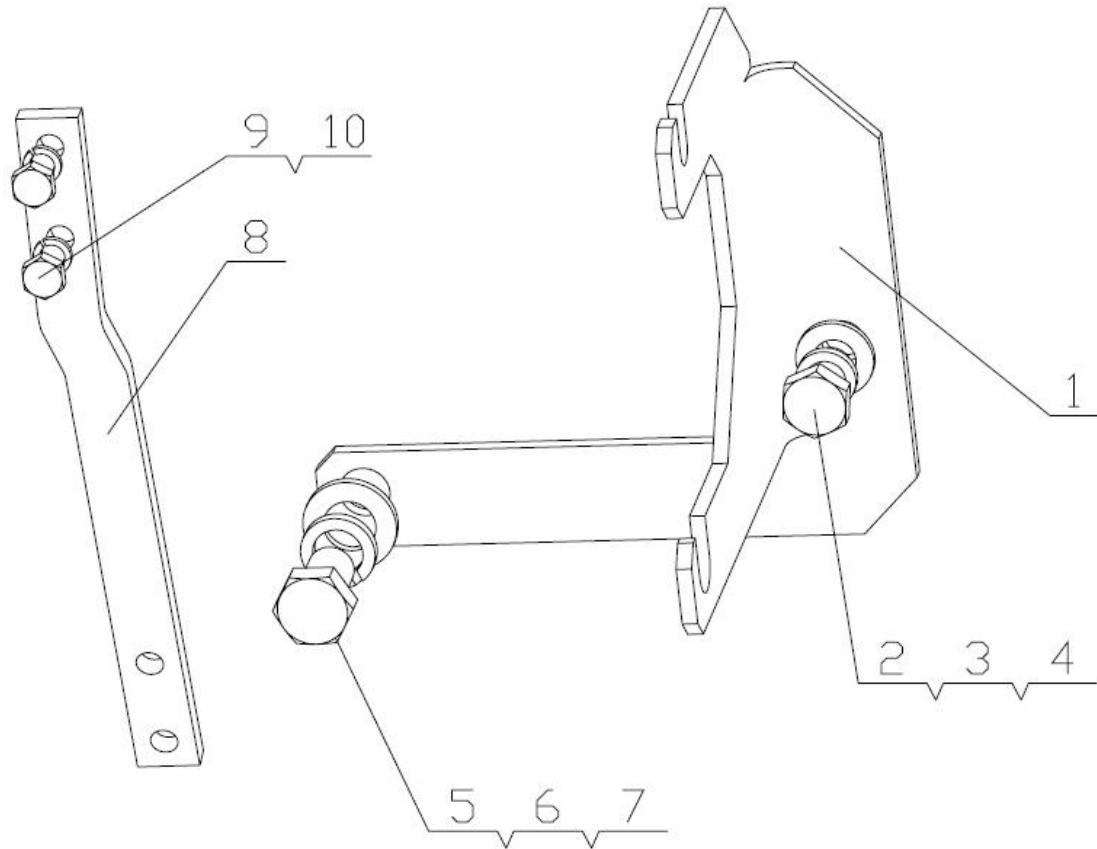
喷油器总成D30-1112000/03 FUEL INJECTOR ASSEMBLY D30-1112000/03



序号 Key	零件代号 Part No.	名称 Description	是否配件 Spare parts Y/N	数量 Qty	备注 Remarks
1	4110000560023	喷油器部件330-1112010 INJECTOR PARTS 330-1112010	Y	4	
2	4110000560312	停用-垫圈 8 Q40308 WASHER 8 Q40308	N	8	
3	4110000560291	螺母 M8 Q340B08 NUT M8 Q340B08	N	8	
4	4110000560024	喷油器螺柱330-1112041 INJECTOR STUD 330-1112041	Y	8	
5	4110000560089	喷油器垫片630-1112001 INJECTOR GASKET 630-1112001	Y	1000	



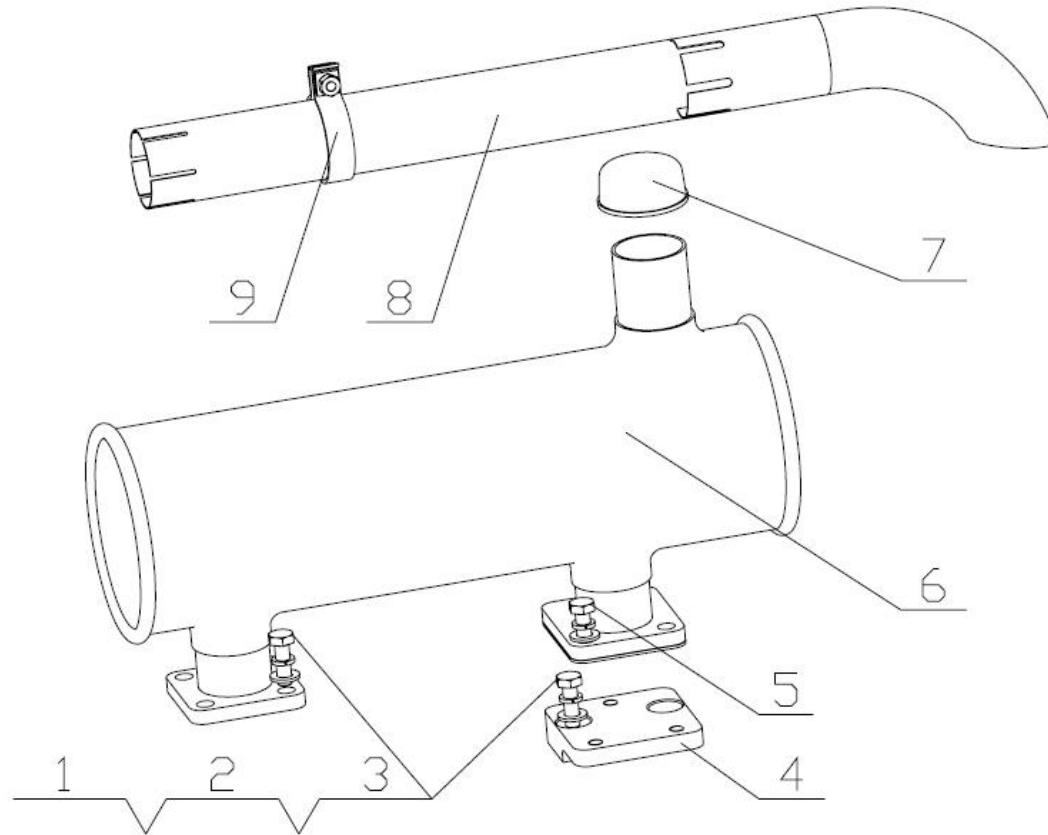
燃油喷射附件总成 FUEL INJECTION ACCESSORY ASSEMBLY



序号 Key	零件代号 Part No.	名称 Description	是否配件 Spare parts Y/N	数量 Qty	备注 Remarks
1	4110000560205	油门拉线支架D7019-1111014	THROTTLE STAYGUY BRACKET D7019-1111014	Y	1
2	4110000560270	螺栓 M10X20 Q150B1020	BOLT M10X20 Q150B1020	N	1
3	4110000560319	垫圈 10 Q40310	WASHER 10 Q40310	N	1
4	4110000560298	垫圈 10 Q40110	WASHER 10 Q40110	N	1
5	4110000560278	螺栓 M12X20 Q150B1220	BOLT M12X20 Q150B1220	N	1
6	4110000560320	垫圈12 Q40312	WASHER Q40312	N	1
7	4110000560299	垫圈 12 Q40112	WASHER 12 Q40112	N	1
8	4110000560095	调速器附加手柄641-1111001	GOVERNOR ADDITIONAL HANDLE 641-1111001	Y	1
9	4110000560251	螺栓 M6X15 Q150B0615	BOLT M6X15 Q150B0615	N	2
10	4110000560303	垫圈6 Q40306	WASHER 6 Q40306	N	2



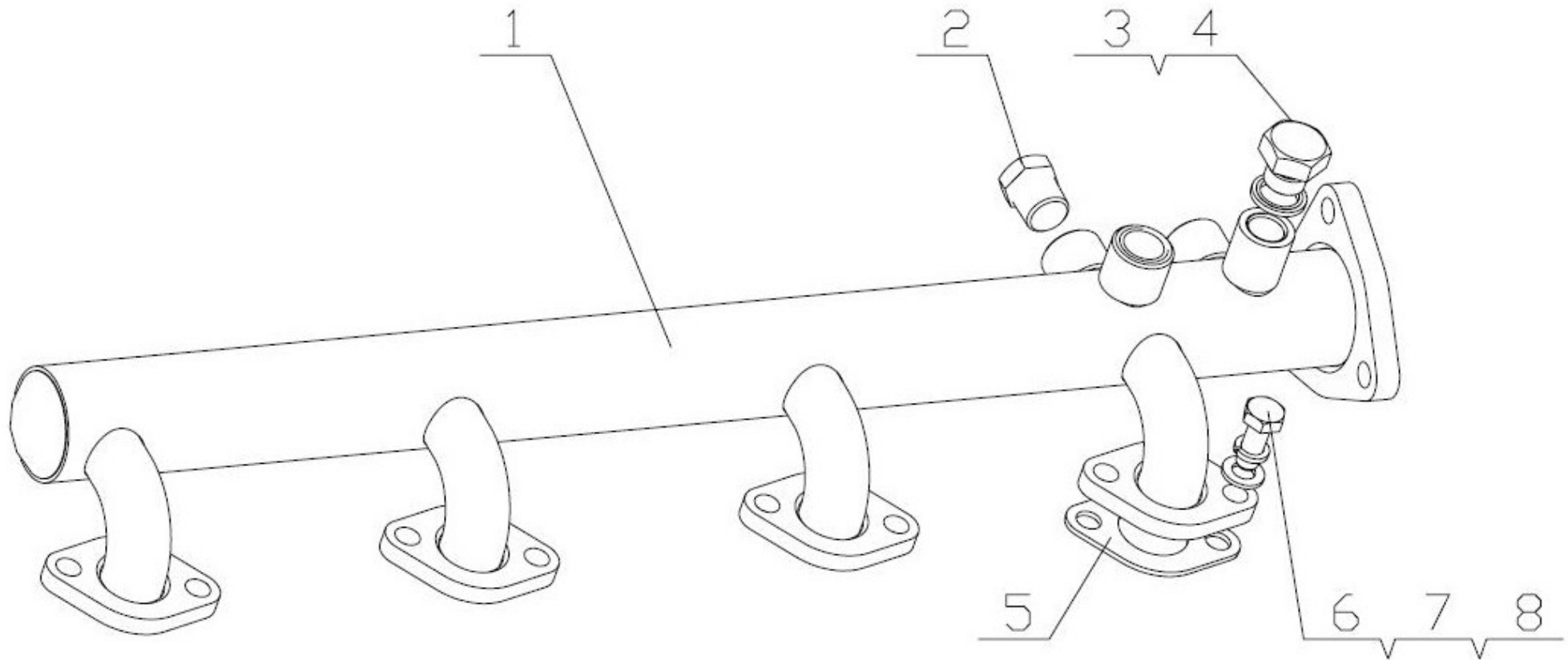
消声器总成D7019-1201000/05 MUFFLER ASSEMBLY D7019-1201000/05



序号 Key	零件代号 Part No.	名称 Description	是否配件 Spare parts Y/N	数量 Qty	备注 Remarks
1	4110000560272	螺栓 M10X30 Q150B1030 BOLT M10X30 Q150B1030	N	7	
2	4110000560319	垫圈 10 Q40310 WASHER 10 Q40310	N	9	
3	4110000560298	垫圈 10 Q40110 WASHER 10 Q40110	N	9	
4	4110000560213	消声器垫块 D7102-1201001 MUFFLER BLOCK D7102-1201001	Y	1	
5	4110000560271	螺栓 M10X25 Q150B1025 BOLT M10X25 Q150B1025	N	2	
6	4110000560214	消声器D7102-1201100B MUFFLER D7102-1201100B	Y	1	
7	4110000560096	水管封口盖670-1000094 WATER PIPE SEAL COVER 670-1000094	N	1	
8	4110000560206	消声器排烟气D7019-1201200 EXHAUST PIPE,MUFFLER D7019-1201200	Y	1	
9	4110000560215	排烟管喉箍部件D7102-1201300 EXHAUST PIPE HOOP PARTS D7102-1201300	N	1	

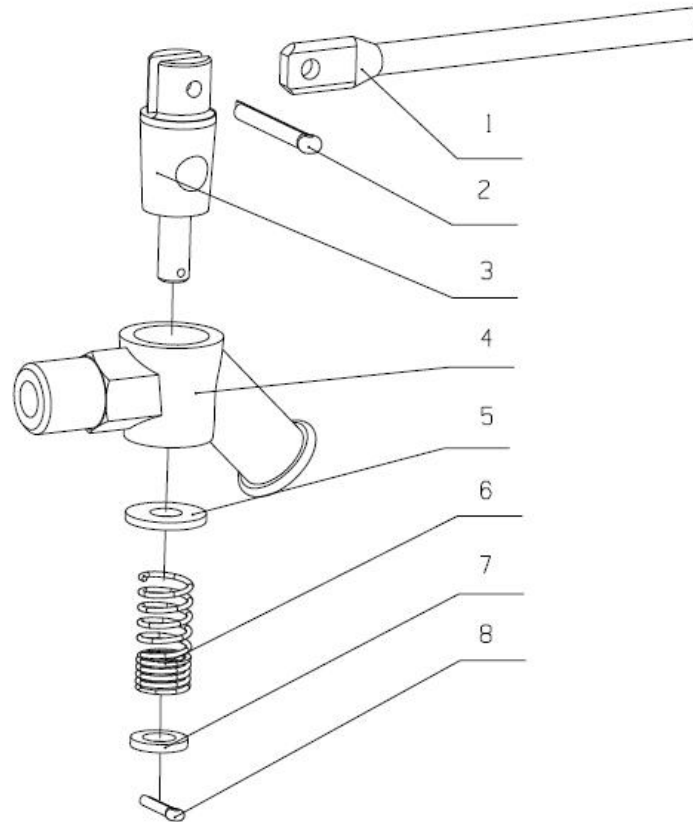


散热器水管及软管总成D0708-1303000/01 WATER PIPE & HOSE ASSEMBLY OF RADIATOR D0708-1303000/01



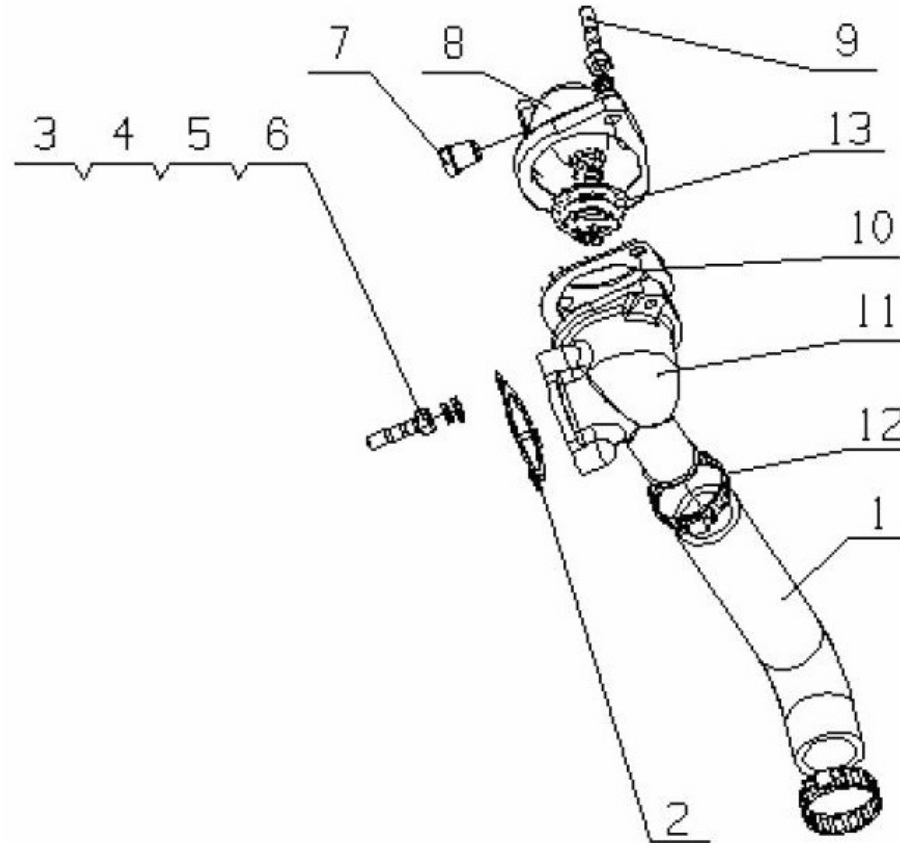
序号 Key	零件代号 Part No.	名称 Description	是否配件 Spare parts Y/N	数量 Qty	备注 Remarks
1	4110000560115	出水管组件D0708-1303040	Y	1	
2	4110000560331	螺塞 NPT3/8 Q618B03	N	1	
3	4110000560237	螺塞 M14X1.5 Q/YC198-14	N	1	
4	4110000560228	复合式密封垫圈 14 Q/YC149-14	N	1	
5	4110000560072	出水支管垫片6105Q-1303015	Y	1	
6	4110000560254	螺栓 M8X20 Q150B0820	N	8	
7	4110000560313	停用-垫圈 8 Q40308	N	8	
8	4110000560295	垫圈 8 Q40008	N	8	

放水开关总成631-1305000/05 WATER DRAIN COCK ASSEMBLY 631-1305000/05



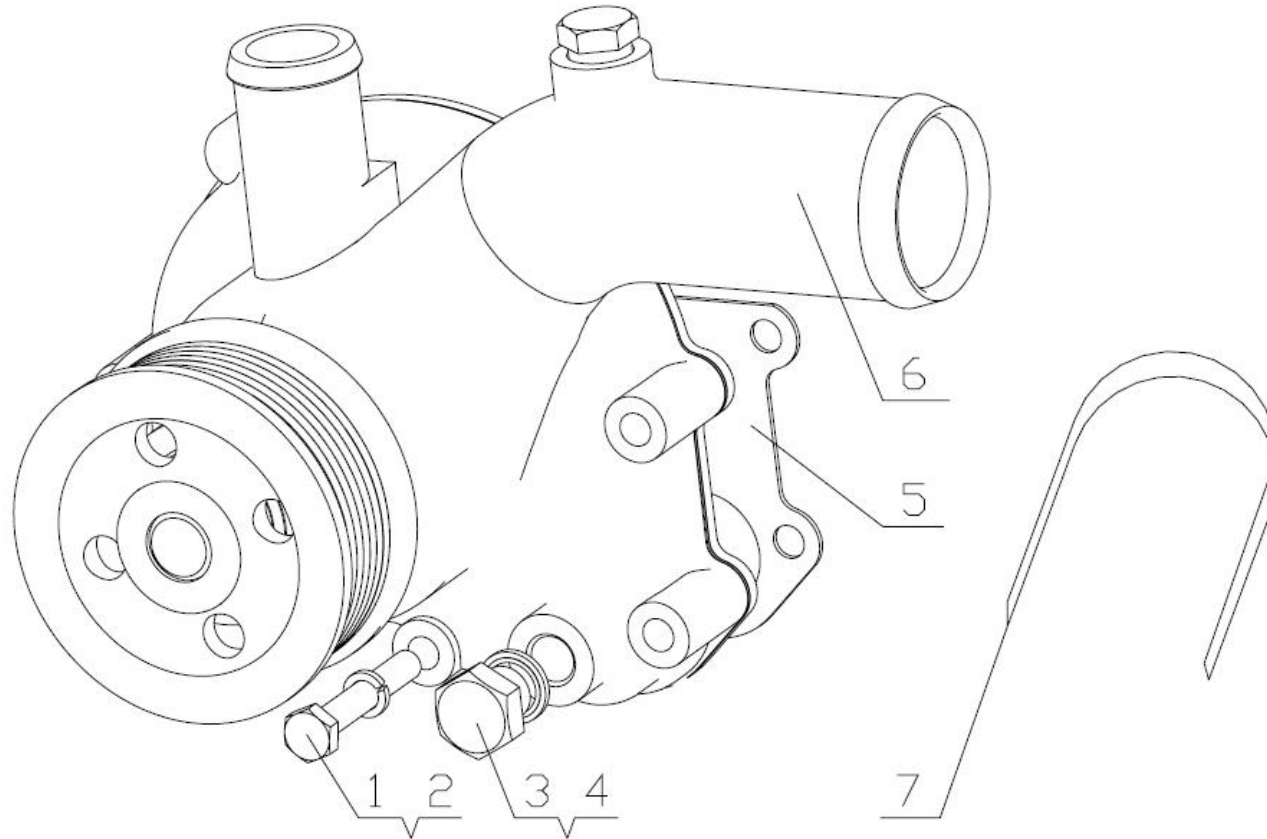
序号 Key	零件代号 Part No.	名称 Description	是否配件 Spare parts Y/N	数量 Qty	备注 Remarks
1	4110000560091	操纵杆150-1305015	CONTROL LEVER 150-1305015	Y	1
2	4110000560326	销 3.2X20 Q5003220	PIN 3.2X20 Q5003220	N	1
3	4110000560076	放水阀芯6105Q-1305014A	DRAIN VALVE CORE 6105Q-1305014A	N	1
4	4110000560075	放水阀体6105Q-1305013	DRAIN VALVE BODY 6105Q-1305013	N	1
5	4110000560074	垫圈6105Q-1305012	WASHER 6105Q-1305012	N	1
6	4110000560073	弹簧6105Q-1305011	SPRING 6105Q-1305011	N	1
7	4110000560294	垫圈 6 Q40006	WASHER 6 Q40006	N	1
8	4110000560325	销 1.6X10 Q5001610	PIN 1.6X10 Q5001610	N	1

调温器总成D0115-1306000/02 THERMOSTAT ASSEMBLY D0115-1306000/02



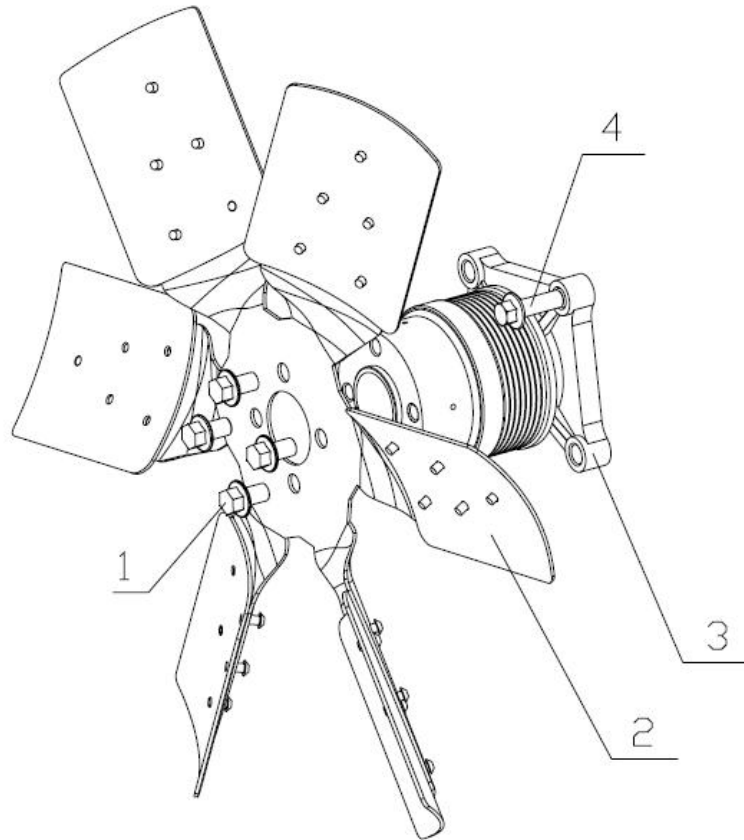
序号 Key	零件代号 Part No.	名称 Description	是否配件 Spare parts Y/N	数量 Qty	备注 Remarks
1	4110000560188	回水胶管D30-1303016A WATER RETURN HOSE D30-1303016A	Y	1	
2	4110000560071	节温器座垫片6105Q-1303013 THERMOSTAT SEAT GASKET 6105Q-1303013	Y	1	
3	4110000560314	停用-垫圈 8 Q40308 WASHER 8 Q40308	N	13	
4	4110000560295	垫圈 8 Q40008 WASHER 8 Q40008	N	10	
5	4110000560244	螺柱 M8X22 Q1200822 STUD M8X22 Q1200822	N	3	
6	4110000560291	螺母 M8 Q340B08 NUT M8 Q340B08	N	5	
7	4110000560330	螺塞 NPT 1/4 Q618B02 SCREW PLUG NPT1/4 Q618B02	N	1	
8	4110000560187	节温器盖D30-1303011 THERMOSTAT COVER D30-1303011	Y	1	
9	4110000560245	螺柱 M8X25 Q1200825 STUD M8X25 Q1200825	N	2	
10	4110000560100	节温器盖垫片A3000-1303012 THERMOSTAT COVER GASKET A3000-1303012	Y	1	
11	4110000562057	节温器座630-1303014C THERMOSTAT SEAT 630-1303014C	Y	1	
12	4110000560335	环箍 45 Q67645 CLAMP 45 Q67645	N	2	
13	4110000560051	蜡式调温器530-1306010A WAXY THERMOSTAT 530-1306010A	Y	1	

水泵总成D7200-1307000/06 WATER PUMP ASSEMBLY D7200-1307000/06



序号 Key	零件代号 Part No.	名称 Description	是否配件 Spare parts Y/N	数量 Qty	备注 Remarks
1	4110000560262	螺栓 M8×50 Q150B0850TF2	N	4	
2	4110000560315	停用-垫圈 8 Q40308	N	4	
3	4110000560237	螺塞 M14X1.5 Q/YC198-14	N	1	
4	4110000560228	复合式密封垫圈 14 Q/YC149-14	N	1	
5	4110000560189	水泵垫板垫片D30-1307026A	Y	1	
6	4110000560113	水泵D0305-1307020B	Y	1	

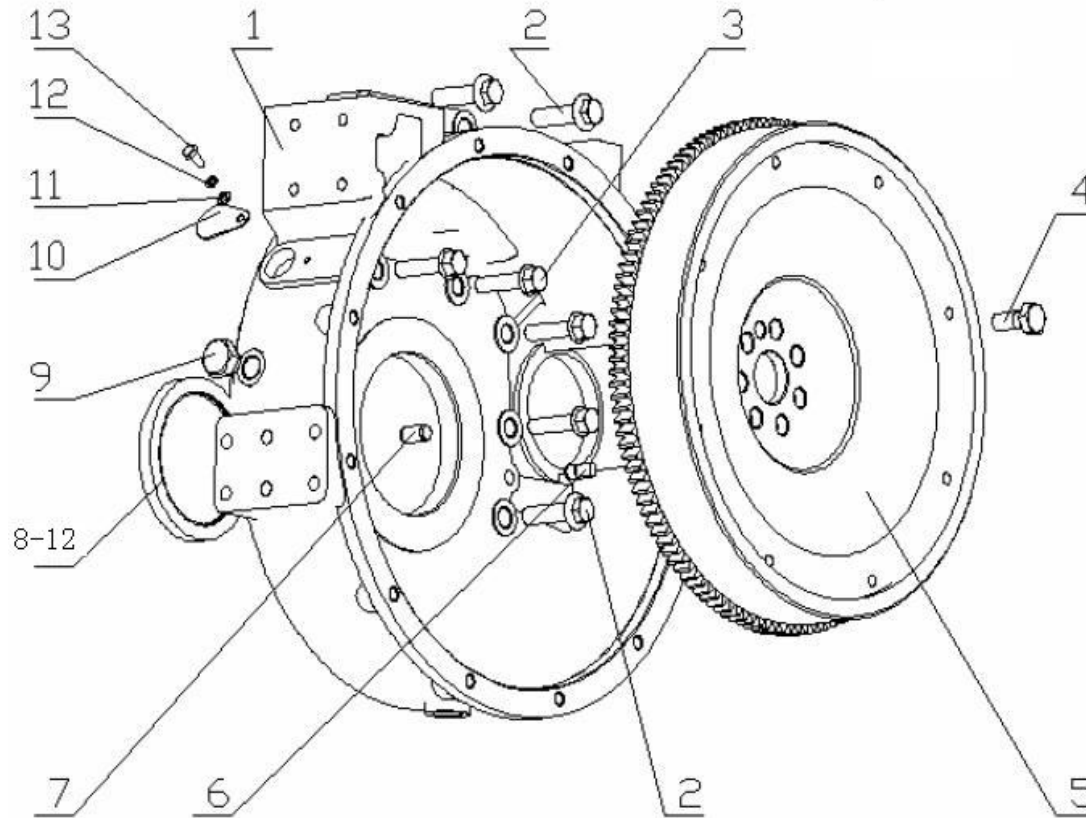
风扇总成D7008-1308000/03 FAN ASSEMBLY D7008-1308000/03



序号 Key	零件代号 Part No.	名称 Description	是否配件 Spare parts Y/N	数量 Qty	备注 Remarks
1	4110000560285	螺栓 M10X16 Q1841016TF2	N	4	
2	4110000560216	风扇D7200-1308010	Y	1	
3	4110000560110	风扇组件D0200-1308020	Y	1	
4	4110000560286	螺栓 M10X30 Q1841030TF2	N	4	

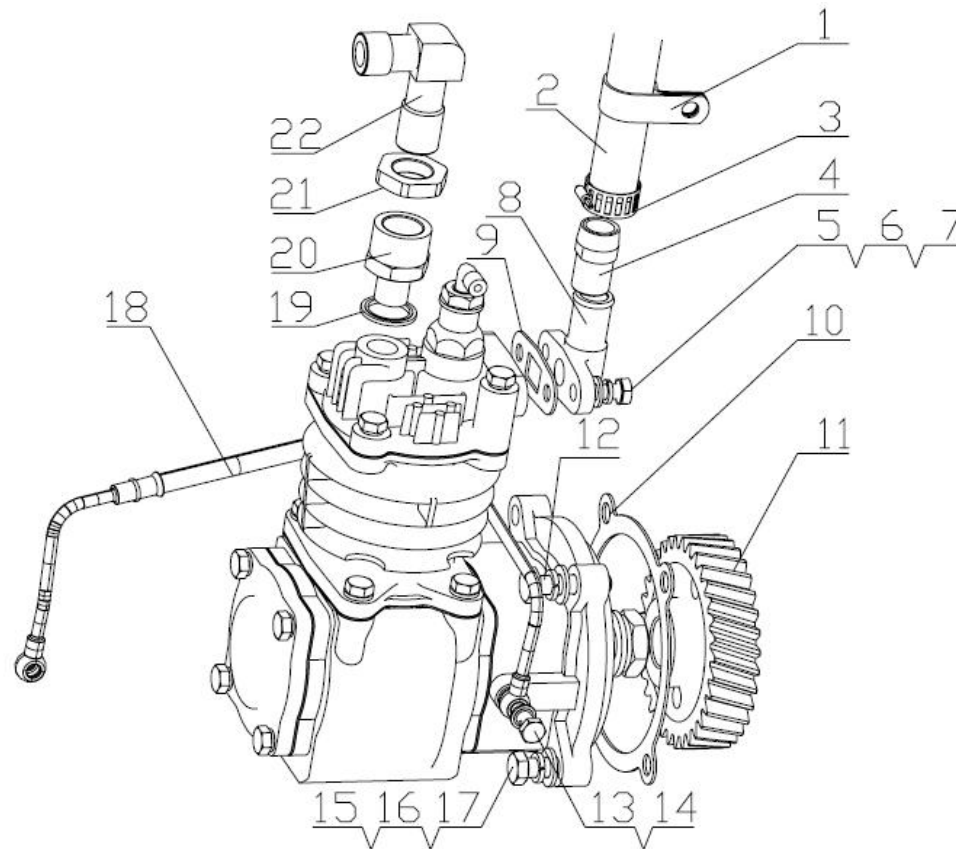


动力输出总成D7019-1600000/01 POWER OUTPUT ASSEMBLY D7019-1600000/01



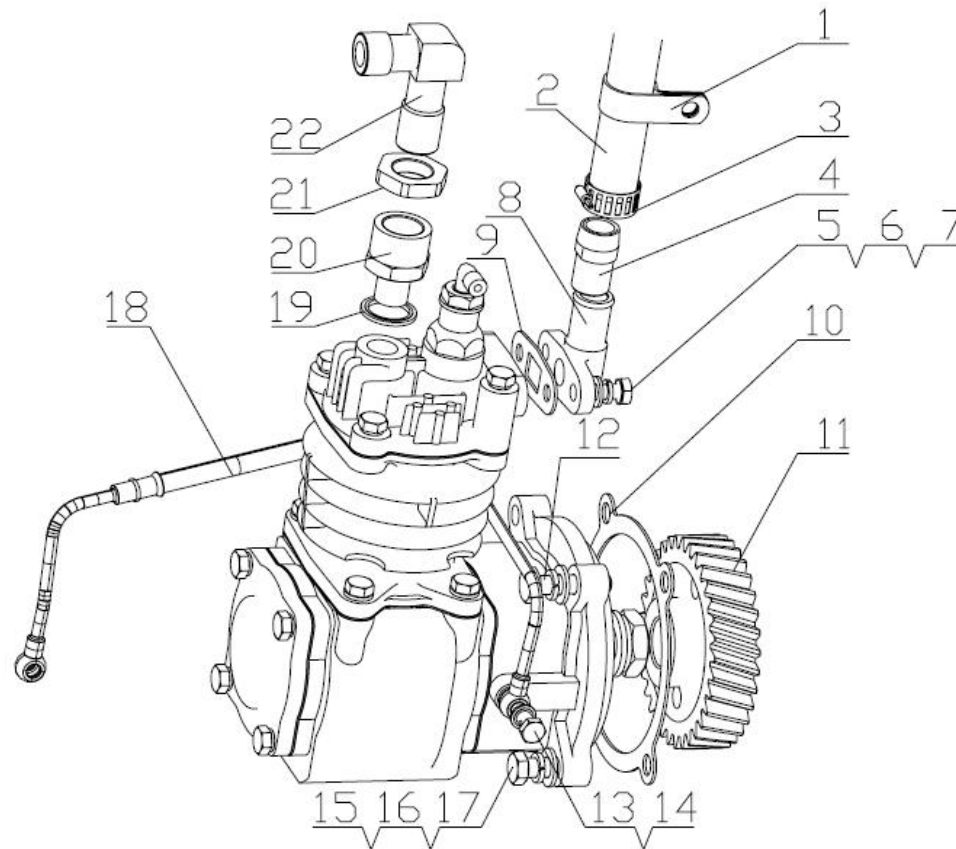
序号 Key	零件代号 Part No.	名称 Description	是否配件 Spare parts Y/N	数量 Qty	备注 Remarks
1	4110000560194	飞轮壳D7000-1600015E	FLYWHEEL HOUSING D7000-1600015E	Y	1
2	4110000560289	螺栓 M14×50 Q1841450TF2	BOLT M14×50 Q1841450TF2	N	4
3	4110000560288	螺栓 M12×50 Q1841250TF2	BOLT M12×50 Q1841250TF2	N	6
4	4110000560104	飞轮螺栓B8800-1005063	FLYWHEEL BOLT B8800-1005063	Y	7
5	4110000560198	飞轮及齿圈组件D7019-1005360	FLYWHEEL AND GEAR RING SUBASSEMB D7019-1005360	Y	1
6	4110000560077	扁销6105Q-1600011	TABULAR PIN 6105Q-1600011	Y	1
7	4110000560345	圆柱销YC24-B1224	PIN YC24-B1224	N	1
8	4110000560340	油封 100×125 YC209-100125FL	OIL SEAL 100×125 YC209-100125FL	N	1
9	4110000560250	螺栓 M6×12 Q150B0612	BOLT M6×12 Q150B0612	N	1
10	4110000560097	盖板—飞轮壳6QA1-1600016	COVER PLATE-FLYWHEEL HOUSING 6QA1-1600016	Y	1
11	4110000560296	垫圈6 Q40106	WASHER 6 Q40106	N	1
12	4110000560303	垫圈6 Q40306	WASHER 6 Q40306	N	1
13	4110000560341	油封 100×125 YC209-B100125PL	OIL SEAL 100×125 YC209-B100125PL	N	1

气制动空气压缩机总成D7019-3509000/10 PNEUMATIC AIR COMPRESSOR ASSEMBLY D7019-3509000/10



序号 Key	零件代号 Part No.	名称 Description	是否配件 Spare parts Y/N	数量 Qty	备注 Remarks
1	4110000560026	管夹383-1003073	PIPE CLAMP 383-1003073	Y	1
2	4110000560105	空压机进气管D0103-3509012	AIR INTAKE PIPE,AIR COMPRESSOR D0103-3509012	N	1
3	4110000560333	环箍 27 Q67627	HOOP 27 Q67627	N	2
4	4110000560052	空压机进气管接头530-3509011	AIR INTAKE PIPE JOINT,AIR COMPRESSOR 530-3509011	Y	1
5	4110000560254	螺栓 M8X20 Q150B0820	BOLT M8X20 Q150B0820	N	2
6	4110000560316	停用-垫圈 8 Q40308	WASHER 8 Q40308	N	1
7	4110000560297	垫圈 8 Q40108	WASHER 8 Q40108	N	1
8	4110000560107	空压机进气接头D0111-3509010	AIR INTAKE JOINT,AIR COMPRESSOR D0111-3509010	Y	1
9	4110000560219	密封垫片F3100-3509014	SEAK GASKET F3100-3509014	Y	1
10	4110000560190	空气压缩机垫片D30-3509001A	AIR COMPRESSOR GASKET D30-3509001A	Y	1
11	4110000560192	空压机齿轮D30-3509011	AIR COMPRESSOR GEAR D30-3509011	Y	1
12	4110000560274	螺栓 M10X40 Q150B1040	BOLT M10X40 Q150B1040	N	3
13	4110000560064	接头螺栓6105Q-1007073	JOINT BOLT 6105Q-1007073	Y	2
14	4110000560232	复合式密封垫圈8 Q/YC149-8	COMPOUND SEAL RING 8 Q/YC149-8	N	4
15	4110000560281	螺栓 M10X1X30 Q151B1030	BOLT M10X30 Q151B1030	N	1
16	4110000560319	垫圈 10 Q40310	WASHER 10 Q40310	N	4
17	4110000560298	垫圈 10 Q40110	WASHER 10 Q40110	N	4
18	4110000560191	空压机进油管D30-3509004A	FUEL INLET PIPE,AIR COMPRESSOR D30-3509004A	Y	1

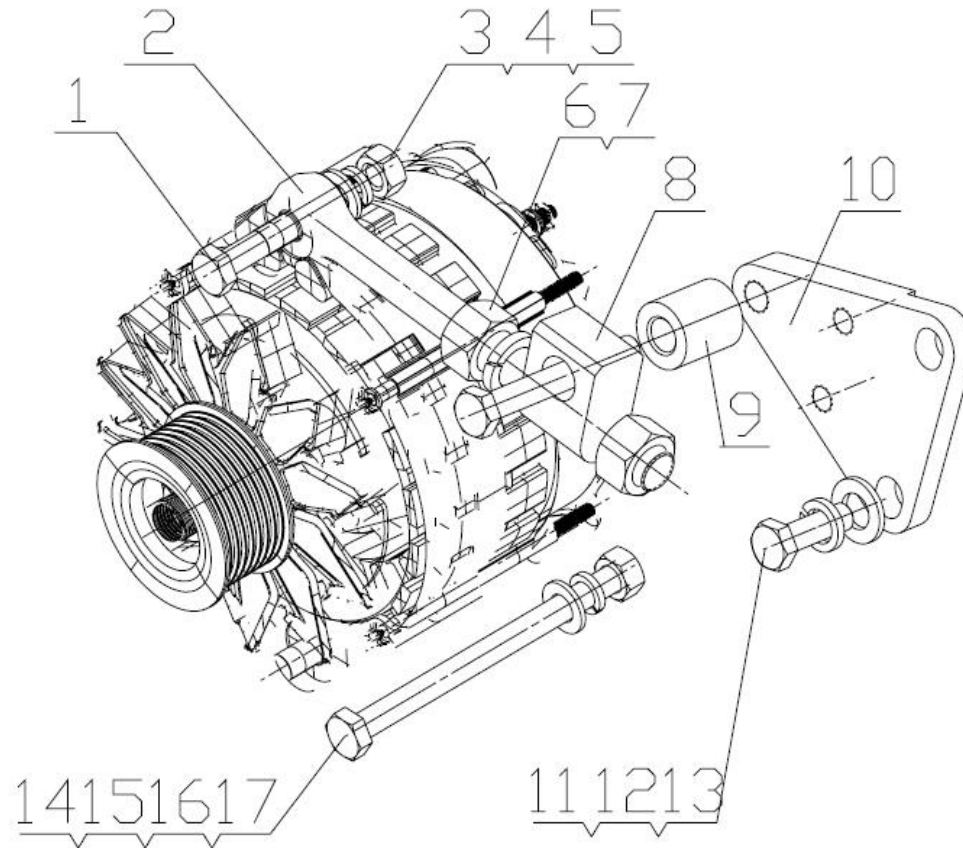
气制动空气压缩机总成D7019-3509000/10 PNEUMATIC AIR COMPRESSOR ASSEMBLY D7019-3509000/10



序号 Key	零件代号 Part No.	名称 Description	是否配件 Spare parts Y/N	数量 Qty	备注 Remarks
19	4110000560230	复合式密封垫圈 22Q/YC149-22	N	1	
20	4110000560207	出气接头D7019-3509008B	N	1	
21	4110000560117	锁紧螺母D08F2-3509062	Y	1	
22	4110000560220	出气接头G0403-3509008	Y	1	

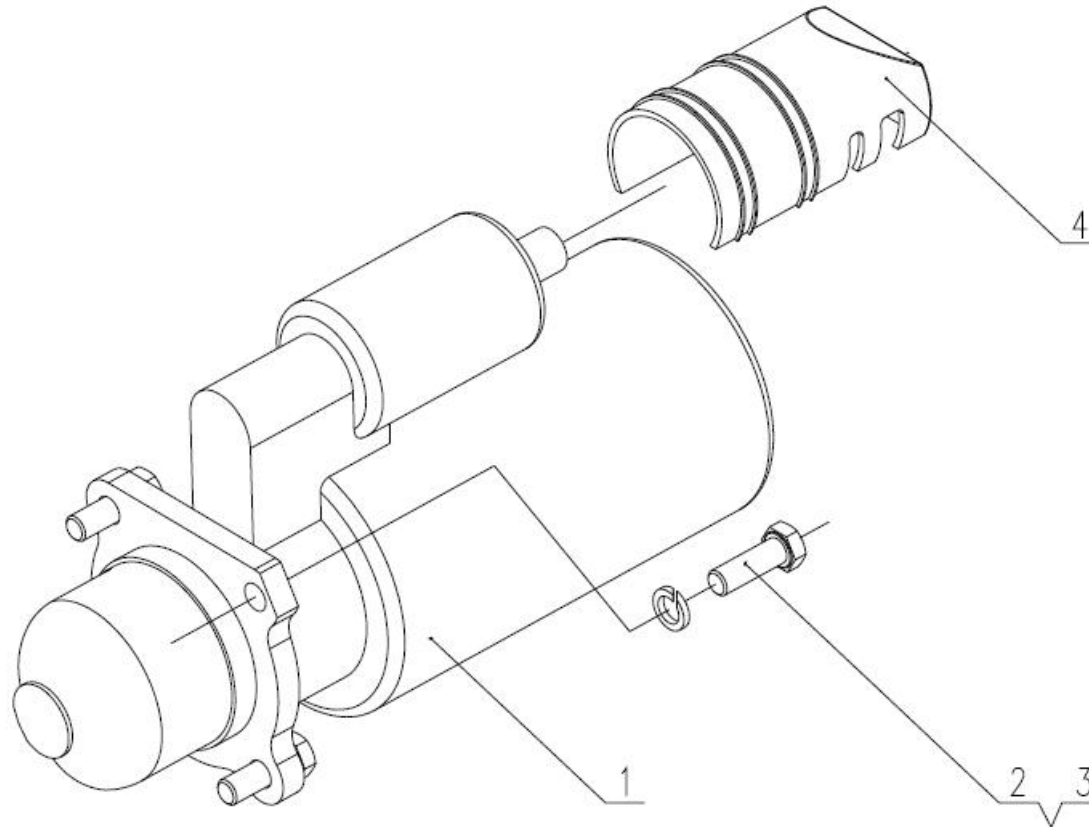


发电机总成D7019-3701000/01 ALTERNATOR ASSEMBLY D7019-3701000/01



序号 Key	零件代号 Part No.	名称 Description	是否配件 Spare parts Y/N	数量 Qty	备注 Remarks
1	4110000560276	螺栓 M10X50 Q150B1050TF2	N	1	
2	4110000560016	调节螺栓294-3701031	Y	1	
3	4110000560292	螺母 M10 Q340B10	N	1	
4	4110000560319	垫圈 10 Q40310	N	2	
5	4110000560298	垫圈 10 Q40110	N	2	
6	4110000560293	螺母 M16 Q340B16	N	2	
7	4110000560321	垫圈 16 Q40316	N	1	
8	4110000560035	滑块497E-3701032	Y	1	
9	4110000560116	垫块D0801-3701036	Y	1	
10	4110000560106	固定板D0110-3701033A	Y	1	
11	4110000560279	螺栓 M12X32 Q150B1232TF2	N	2	
12	4110000560320	垫圈12 Q40312	N	3	
13	4110000560299	垫圈 12 Q40112	N	3	
14	4110000560208	发电机D7019-3701100	Y	1	
15	4110000560268	螺栓 M10X130 Q150B10130	N	1	
16	4110000560046	垫圈530-1009002	Y	1	
17	4110000560292	螺母 M10 Q340B10	N	1	

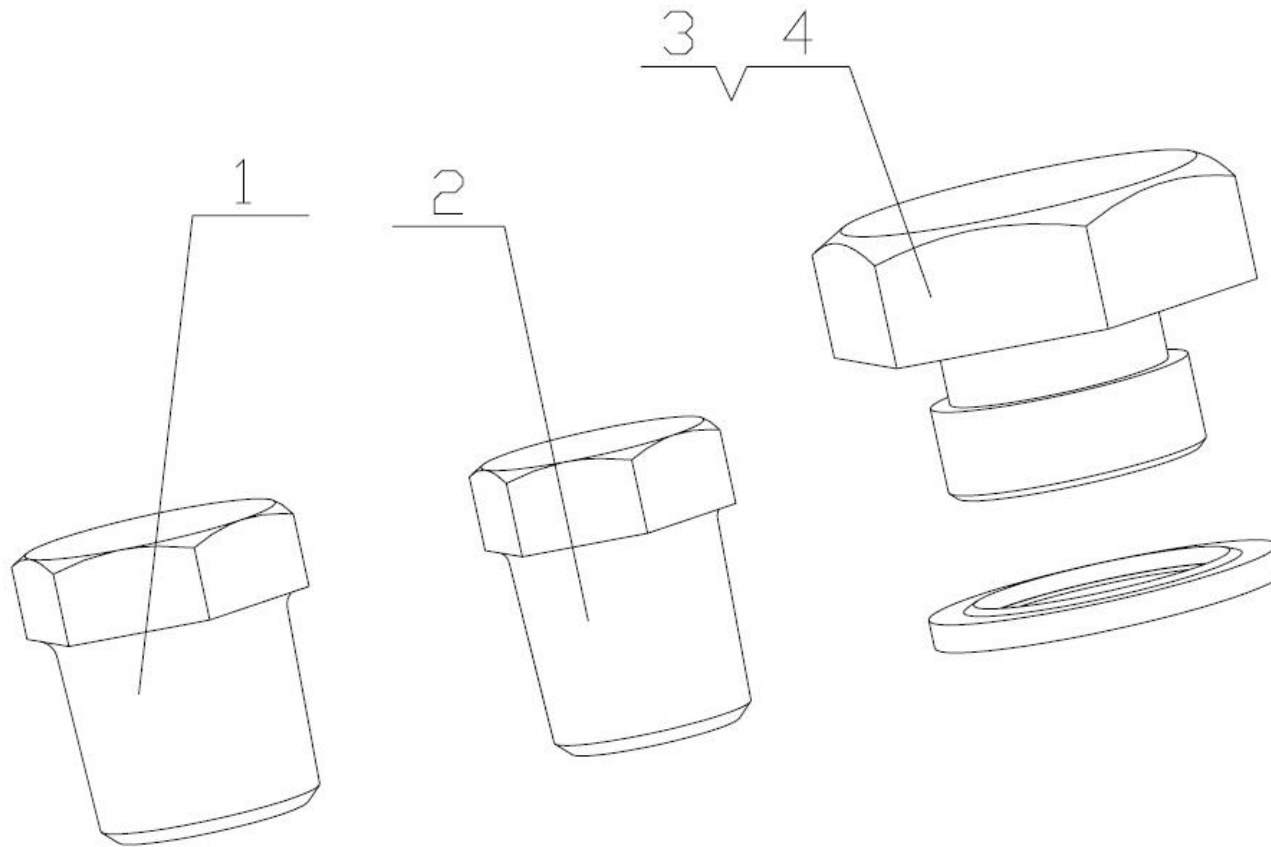
起动电机总成D7004-3708000/01 STARTER ASSEMBLY D7004-3708000/01



序号 Key	零件代号 Part No.	名称 Description	是否配件 Spare parts Y/N	数量 Qty	备注 Remarks
1	4110000560193	起动机D30-3708100	STARTER D30-3708100	Y	1
2	4110000560272	螺栓 M10X30 Q150B1030	BOLT M10X30 Q150B1030	N	3
3	4110000560319	垫圈 10 Q40310	WASHER 10 Q40310	N	3
4	4110000560102	起动机防护罩A3206-3708104A	STARTER SHIELD A3206-3708104A	Y	1



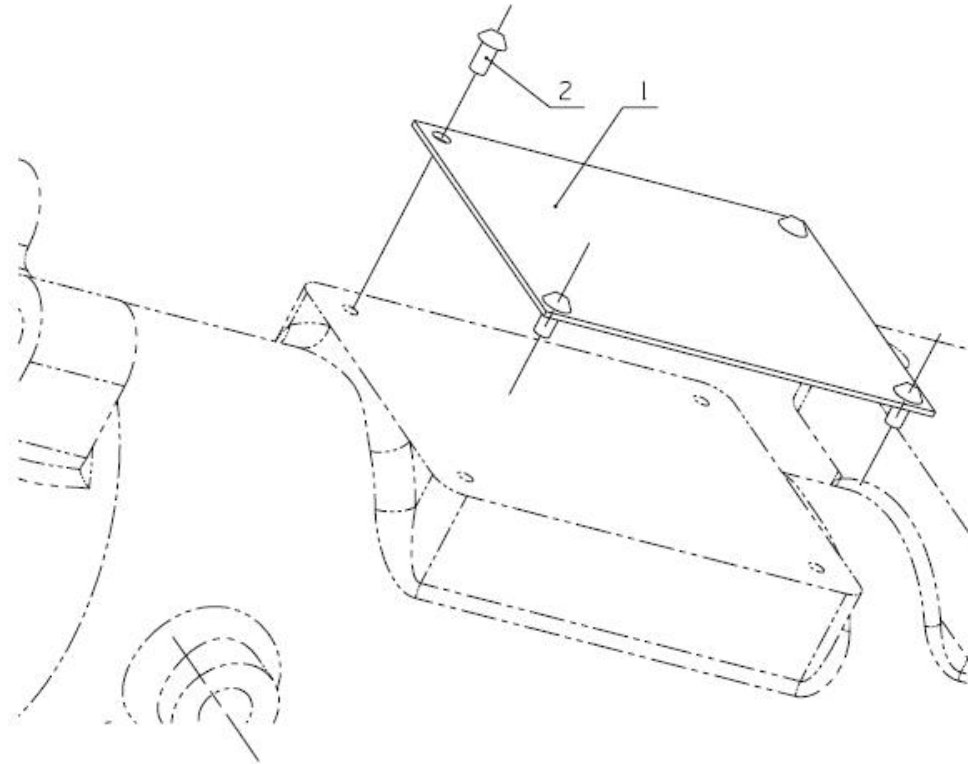
仪表感应塞总成D7019-3800000/05 INSTRUMENT & SENSOR ASSEMBLY D7019-3800000/05



序号 Key	零件代号 Part No.	名称 Description	是否配件 Spare parts Y/N	数量 Qty	备注 Remarks
1	4110000560331	螺塞 NPT3/8 Q618B03 SCREW PLUG NPT3/8 Q618B03	N	2	
2	4110000560330	螺塞 NPT 1/4 Q618B02 SCREW PLUG NPT1/4 Q618B02	N	1	
3	4110000560238	螺塞 M18X1.5 Q/YC198-18 SCREW PLUG M18X1.5 Q/YC198-18	N	1	
4	4110000560229	复合式密封垫圈 18 Q/YC149-18 COMPOUND SEAL WASHER 18 Q/YC149-18	N	1	



铭牌D8300-3904000/01 NAMEPLATE D8300-3904000/01



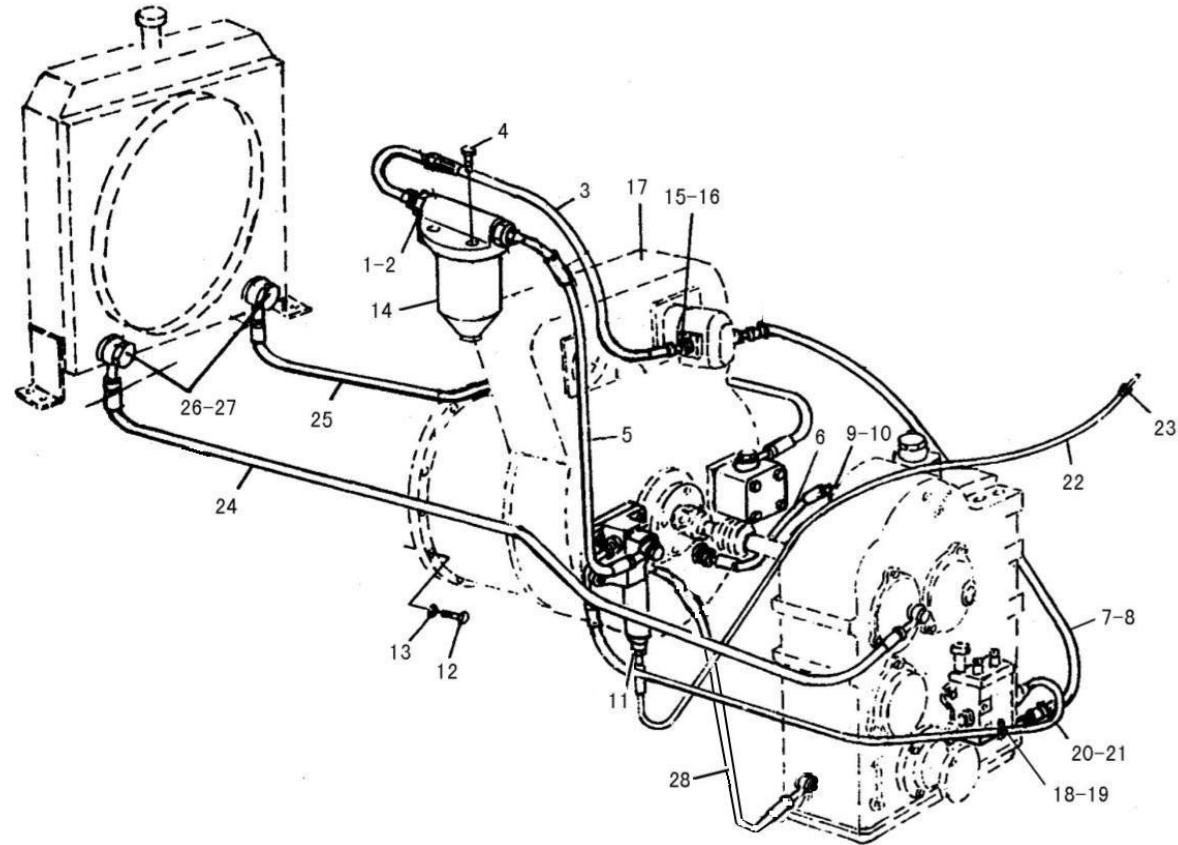
序号 Key	零件代号 Part No.	名称 Description	是否配件 Spare parts Y/N	数量 Qty	备注 Remarks
1	4110000560347	标牌YC394-BD8300 NAMEPLATE YC394-BD8300	N	1	
2	4110000560348	铆钉 3X6 YC5-0306 RIVET 3X6 YC5-0306	N	4	



B 变矩器系统
TORQUE CONVERTER SYSTEM

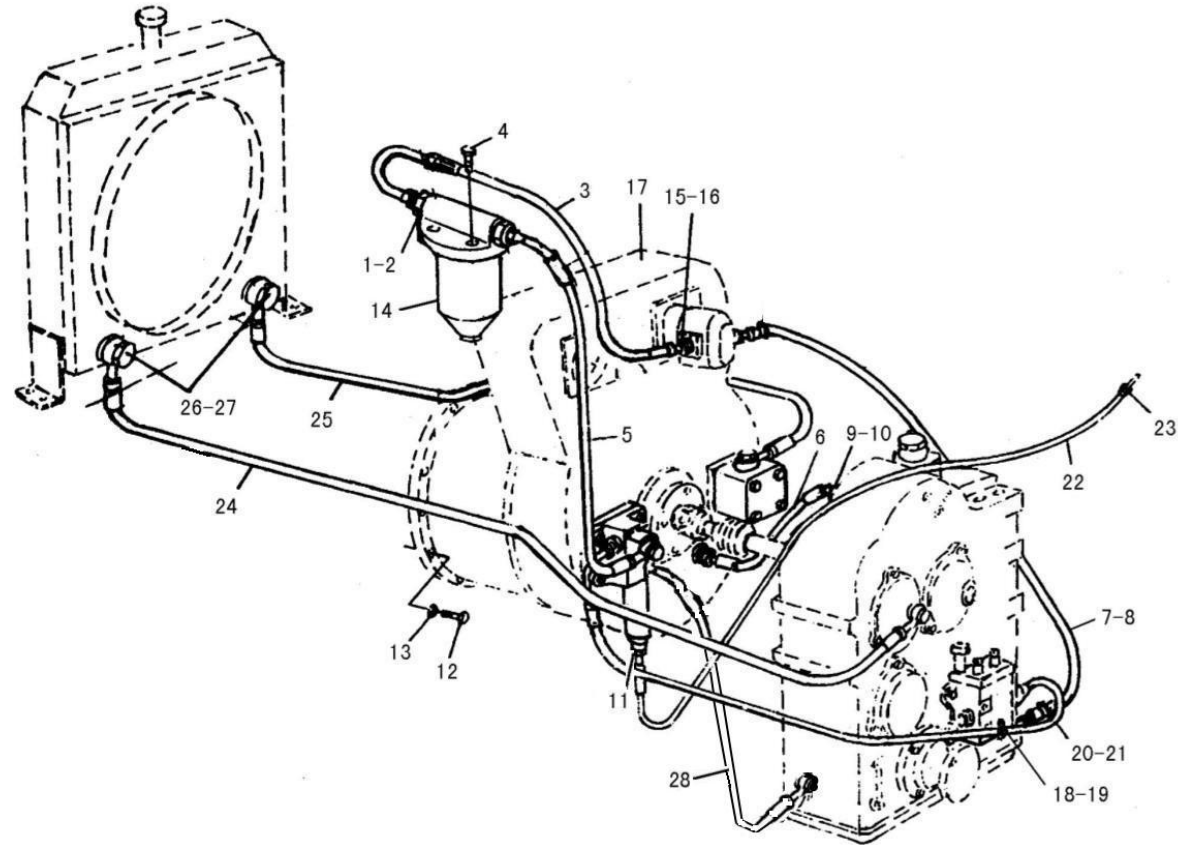
山东临工工程机械有限公司
SHANDONG LINGONG CONSTRUCTION MACHINERY CO.,LTD.

变矩器系统 TORQUE CONVERTER SYSTEM



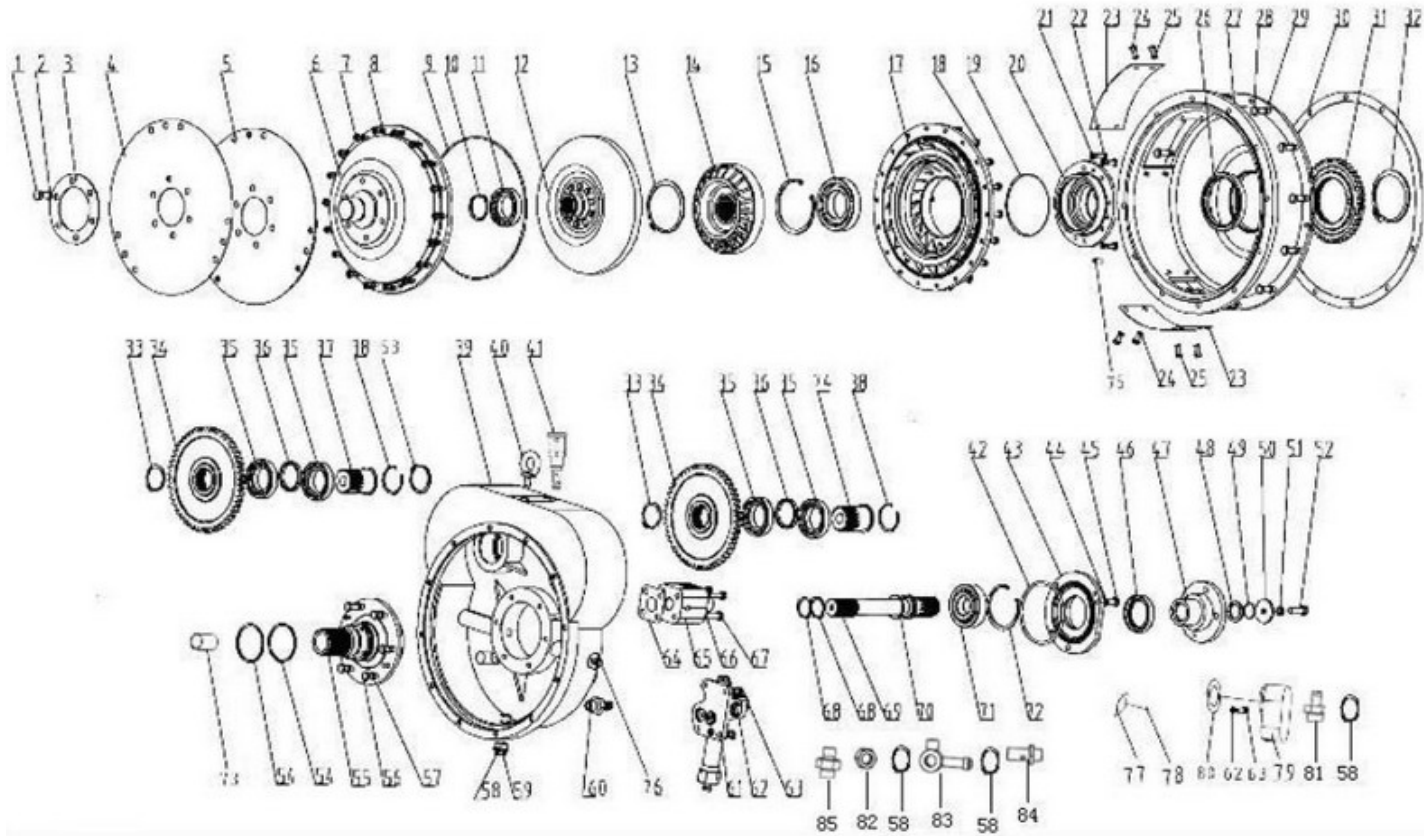
序号 Key	零件代号 Part No.	名称 Description	是否配件 Spare parts Y/N	数量 Qty	备注 Remarks
1	29040006521	接头体	CONNECTOR	Y	2
2	4030000211	O形圈GB3452.1-30.0*2.65G	O-RING GB3452.1-30.0-2.65G	Y	2
3	29040007621	变速泵至滤清器胶管	HOSE OF PUMP TO FILTER	Y	1
4	4011000481	螺栓GB16674-M8*30EpZn-8.8	BOLT GB16674-M8*30Ep.Zn-8.8	N	2
5	29040006541	滤清器至变矩器胶管	TO TORQUE CONVERTER PIPE	Y	1
6	4030000267	胶管JB8406-B19*450	HOSE JB8406-B19*450	Y	1
7	4017000011	喉箍JB8870-d32	CLAMP JB8870-d32	N	6
8	4030000207	胶管JB8406-B19*1100	HOSE JB8406-B19*1100	Y	1
9	29040006551	接头体	CONNECTOR	Y	1
10	4030000059	垫圈JB1002-20-T2	WASHER JB1002-20-T2	Y	1
11	29040006561	接头体	CONNECTOR	Y	1
12	4011000085	螺栓GB5783-M10*35EpZn-8.8	BOLT GB5783-M10*35EpZn-8.8	N	12
13	4015000025	垫圈GB93-10-65Mn	WASHER GB93-10-65Mn	N	12
14	4110000507	滤清器QF60M33G-1	FILTER QF60M33G-1	Y	1
15	4011000147	螺栓JB999-M27*2*55EpZn-35	BOLT JB999-M27*2*55-35	N	1
16	4030000062	垫圈JB1002-27-T2	SEALING WASHER JB1002-27-T2	Y	1
17	4110000217	变矩器YJ280-4DL	TORQUE CONVERTER YJ280-4DL	Y	1
18	29350000021	管夹	PIPE NIP	Y	1

变矩器系统 TORQUE CONVERTER SYSTEM



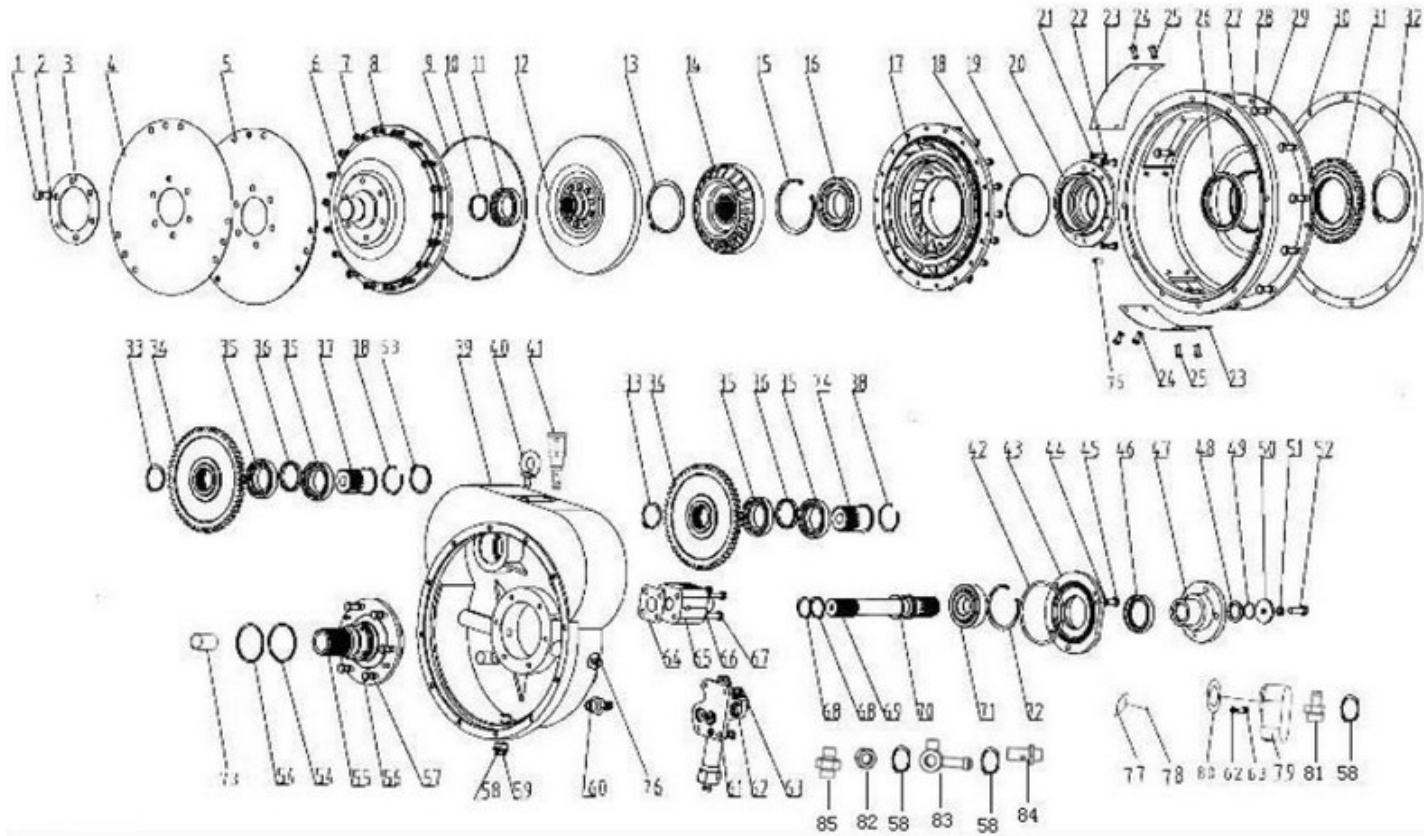
序号 Key	零件代号 Part No.	名称 Description	是否配件 Spare parts Y/N	数量 Qty	备注 Remarks
19	4011000461	螺栓GB16674-M8*16EpZn-8.8	BOLT GB16674-M8*16EpZn-8.8	N	1
20	29040006581	变矩器至变速阀胶管	TO SHAFT VALVE PIPE	Y	1
21	4030000179	O形圈GB3452.1-8.50*1.80G	O-RING GB3452.1-8.50*1.80G	Y	2
22	29040006591	油压表管	PIPE	Y	1
23	29010001111	接头	JOINT	Y	1
24	29030008131	散热器至变速箱胶管	TO RADATOR PIPE	Y	1
25	29030008121	变矩器至散热器胶管	TO RADATOR PIPE	Y	1
26	4011000147	螺栓JB999-M27*2*55EpZn-35	BOLT JB999-M27*2*55-35	N	4
27	4030000062	垫圈JB1002-27-T2	SEALING WASHER JB1002-27-T2	Y	8
28	4120000174	胶管JB8406-B19*900	HOSE JB8406-B19*900	Y	1

变矩器YJ280-4DL(370804) TORQUE CONVERTER YJ280-4DL(370804)



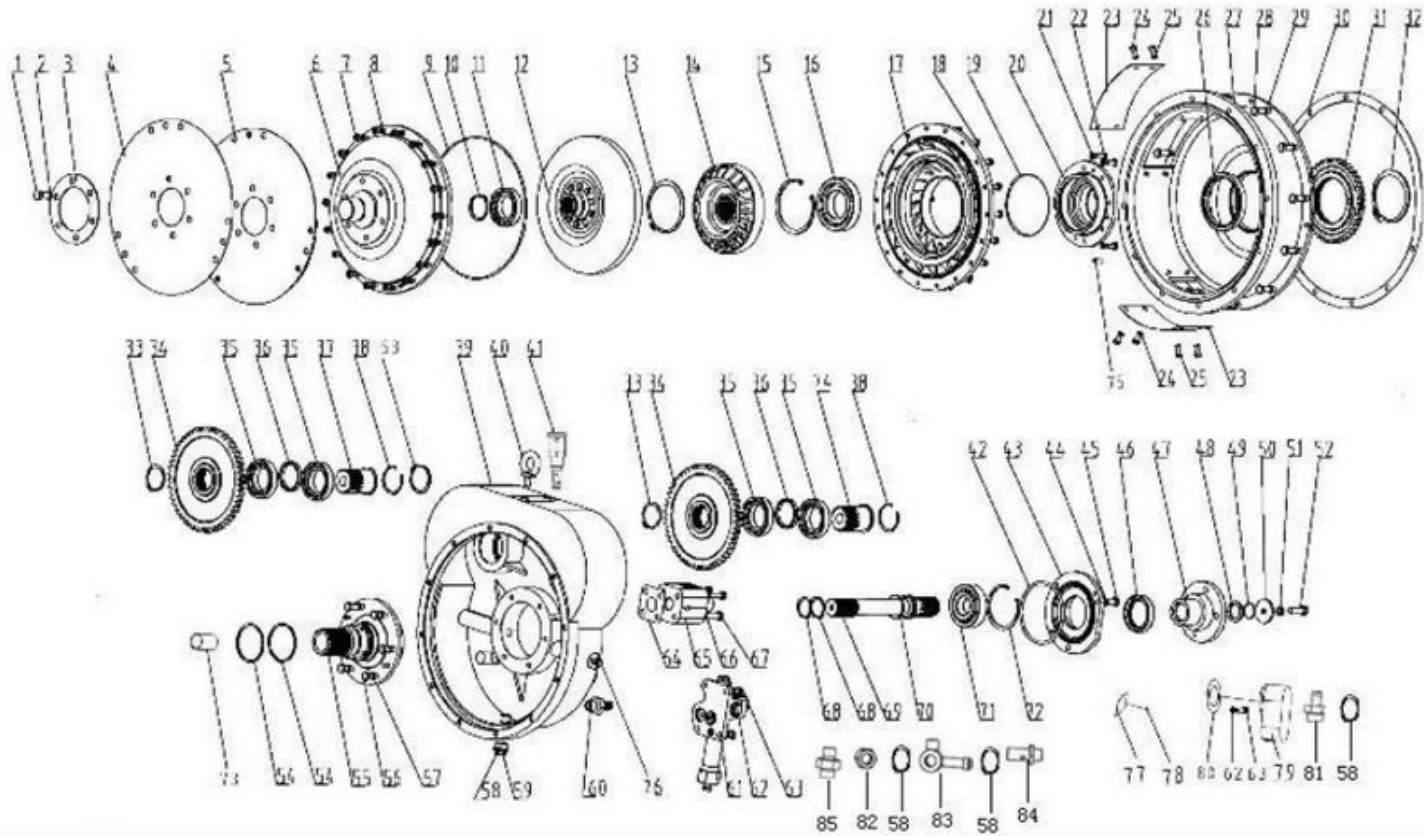
序号 Key	零件代号 Part No.	名称 Description	是否配件 Spare parts Y/N	数量 Qty	备注 Remarks
1	4110000217083	螺栓01010-51225 M12*25	BOLT01010-51225 M1*25	Y	6
2	4110000011108	垫圈12 01602-11236	WASHER 01602-11236 12	Y	1
3	4110000011116	圆垫板YB315Z5-04	RING PALLET YB315Z5-04	Y	1
4	4110000217071	弹性板YJ265-00002	ELASTIC PLATE YJ265-00002	N	1
5	4110000217072	弹性板总成YJ265-10000	ELASTIC PLATE ASSEMBLY YJ265-10000	N	1
6	4110000217039	罩轮1YJ280-1C-00005	COVER WHEEL 1YJ280-1C-00005	Y	1
7	4110000217079	螺母01580-10809 M8	NUT 01580-10809 M8	Y	18
8	4110000011087	垫圈801602-10825	WASHER 801602-10825	Y	1
9	4030000616	PO形圈GB3452.1-300*3.55G	O-RING GB3452.1-290*3.55G	Y	1
10	4110000217073	挡圈04064-05020 50	SNAP RING 04064-05020 50	Y	1
11	4021000011	滚动轴承GB276-6010	BALL BEARIN GB276-6010	Y	1
12	4110000217005	涡轮组件YJ2804A10000	TURBINE UNITS YJ2804A10000	Y	1
13	4110000217074	挡圈04064-05520 55	WASHER 04064-05520 55	Y	1
14	4110000217075	导轮YJ280-4A-00002	LEADING WHEEL YJ280-4A-00002	Y	1
15	4015000241	挡圈GB893.1-110-65Mn	SNAPP RING GB893.1-110-65Mn	N	1
16	4021000113	P滚动轴承GB276-6212	BALL BEARIN GB276-6212	Y	1
17	4110000217042	泵轮1YJ280-4A-00006(4)	PUMP PULLEY 1YJ280-4A-00006(4)	Y	1
18	4110000217082	螺栓01010-50835 M8*35	BOLT 01010-50835 M8*35	Y	18

变矩器YJ280-4DL(370804) TORQUE CONVERTER YJ280-4DL(370804)



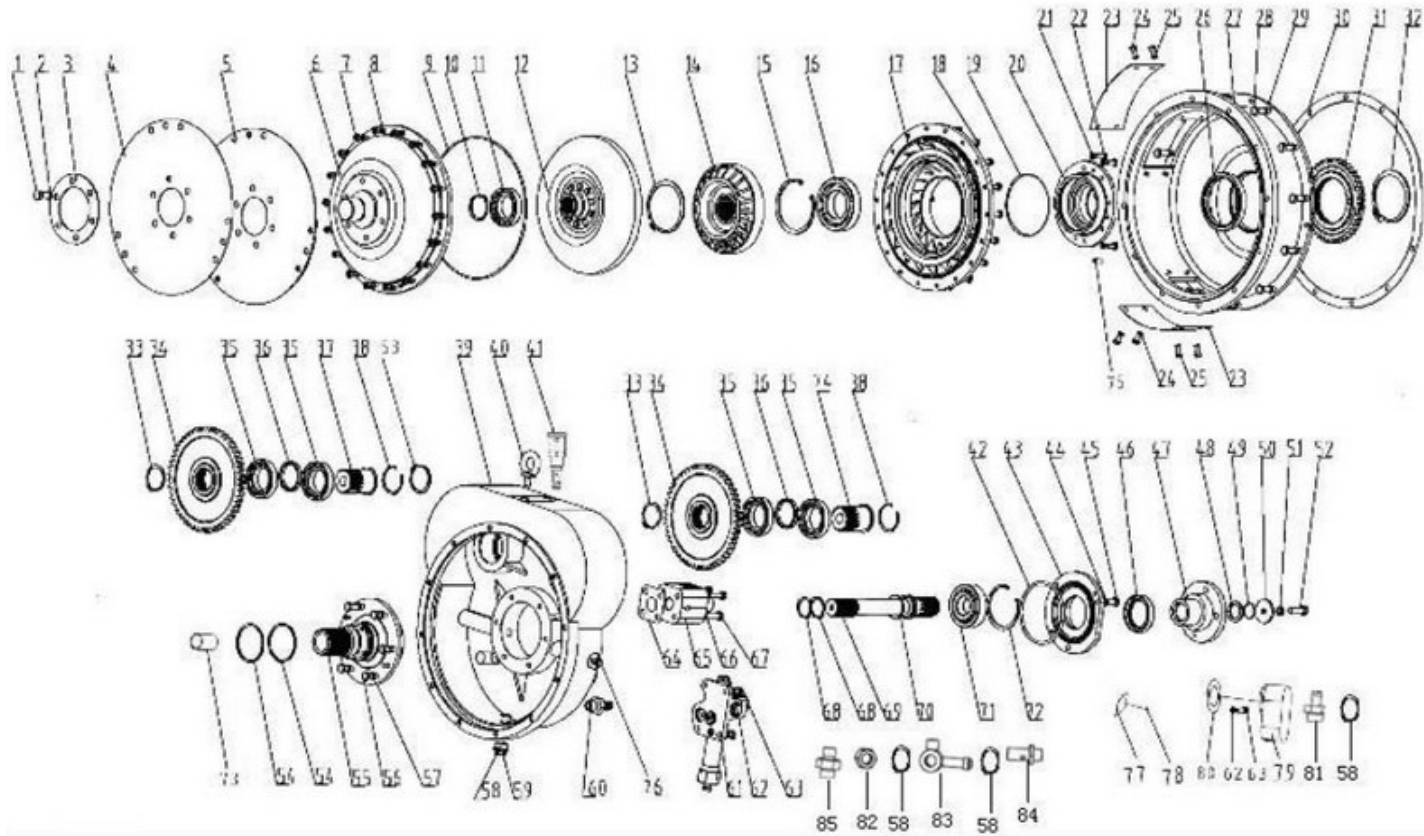
序号 Key	零件代号 Part No.	名称 Description	是否配件 Spare parts Y/N	数量 Qty	备注 Remarks
19	4030000010	O形圈GB1235-130*3.1	O-RING GB1235-130*3.1	Y	1
20	4110000217022	泵轮座YJ2804A00015	PUMP PULLEY SEAT YJ280-4A-00015	Y	1
21	4110000011087	垫圈801602-10825	WASHER 801602-10825	Y	1
22	4110000217081	螺栓01010-50822 M8*22	BOLT 01010-50822 M8*22	Y	8
23	4110000217054	盖板1YJ280-4A-00007	COVER PLATE 1YJ280-4A-00007	Y	2
24	4110000011086	螺栓M8*16 01010-50816	BOLT M8*16 01010-50816	Y	1
25	4110000011087	垫圈801602-10825	WASHER 801602-10825	Y	1
26	4110000217052	骨架油封ZL30D-11-54 100*120*13	FRAMEWORK OIL SEAL 0ZL30D-11-54	Y	1
27	4110000217040	中节1YJ280-4A-00001	MEDIUM KNOT 1YJ280-4A-00001	Y	1
28	4011000794	螺栓GB21-M10*30EpZn-10.9	BOLT GB21-M10*30EpZn-10.9	N	12
29	4110000011097	垫圈10 01602-11030	WASHER 10 01602-11030	Y	1
30	4110000217084	密封垫YJ280-4A-00016	SEALING PLATE YJ280-4A-00016	Y	1
31	4110000217045	齿轮1YJ280-4DL-00001	DRIVE GEAR WHEEL 1YJ280-4DL-00001	Y	1
32	4110000217061	挡圈04064-01030 100	WASHER 04064-01030 100	Y	1
33	4110000217063	挡圈04064-05020 50	WASHER 04064-05020 50	Y	2
34	4110000217046	齿轮1YJ280-4DL-00002	GEAR 1YJ280-4DL-00002	Y	2
35	4021000011	滚动轴承GB276-6010	BALL BEARIN GB276-6010	Y	4
36	4110000217085	轴套YJ2804A00009	BOSS YJ2804A00009	Y	2

变矩器YJ280-4DL(370804) TORQUE CONVERTER YJ280-4DL(370804)



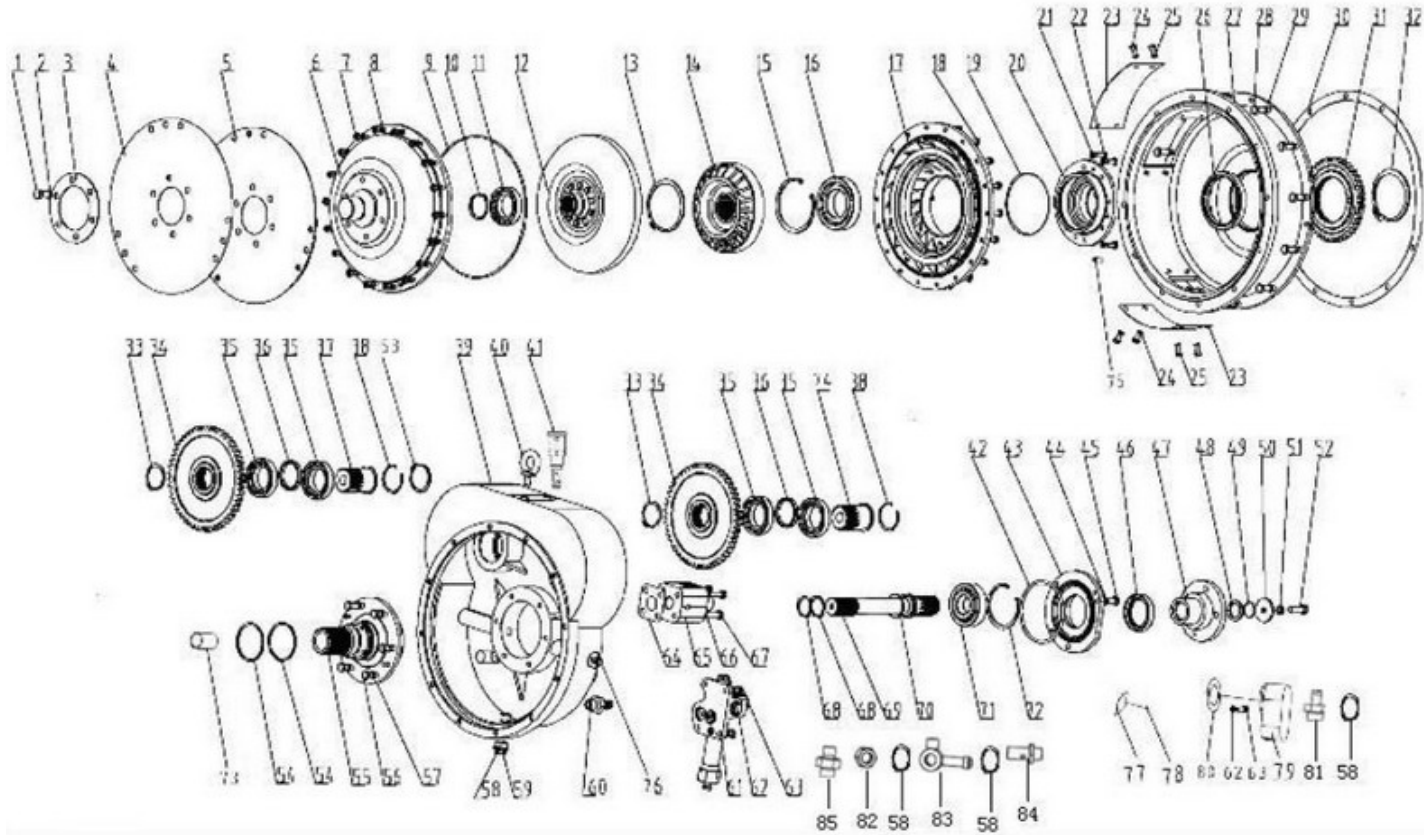
序号 Key	零件代号 Part No.	名称 Description	是否配件 Spare parts Y/N	数量 Qty	备注 Remarks
37	4110000217024	油泵轴YJ2804A00017	OIL PUMP SHAFT YJ2804A00017	Y	2
38	4110000217065	挡圈04064-08025 80	WASHER 04064-08025 80	Y	2
39	4110000217019	齿轮箱YJ2801C00001	GEAR CASE YJ2801C00001	Y	1
40	4110000217067	吊环螺钉04530-11222 M12×22	HANDLING SCREW 04530-11222 M12*22	Y	1
41	4110000217068	直角接头BD05N-01000	ANGLE COUPLING BD05N-01000	Y	1
42	4030000010	O形圈GB1235-130*3.1	O-RING GB1235-130*3.1	Y	1
43	4110000217028	油封座YJ2801C00003	OIL SEAL SEAT YJ2801C00003	Y	1
44	4110000011097	垫圈10 01602-11030	WASHER 10 01602-11030	Y	1
45	4011000794	螺栓GB21-M10*30EpZn-10.9	BOLT GB21-M10*30EpZn-10.9	N	3
46	4110000217027	骨架油封0701220055	FRAMEWORK OIL SEAL 0701220055	Y	1
47	4110000217047	输出法兰1YJ315D-00020B	OUTPUT FLANGE 1YJ315D-00020B	Y	1
48	4110000217048	垫片1YJ315D-00021B	SHIM 1YJ315D-00021B	Y	1
49	4110000217036	O形圈0YJ315D-00022B	O-RING 0YJ315D-00022B	Y	1
50	4110000217038	垫片1YJ280-1C-00004	SHIM 1YJ280-1C-00004	Y	1
51	4110000011108	垫圈12 01602-11236	WASHER 01602-11236 12	Y	1
52	4110000217058	螺栓01010-51235 M12×35	BOLT 01010-51235 M12*35	Y	1
53	4110000217064	挡圈04064-05520 55	SNAP RING 04064-05520 55	Y	1
54	4110000217051	密封环0ZL30D-11-19	PACKING RING 0ZL30D-11-19	Y	2

变矩器YJ280-4DL(370804) TORQUE CONVERTER YJ280-4DL(370804)



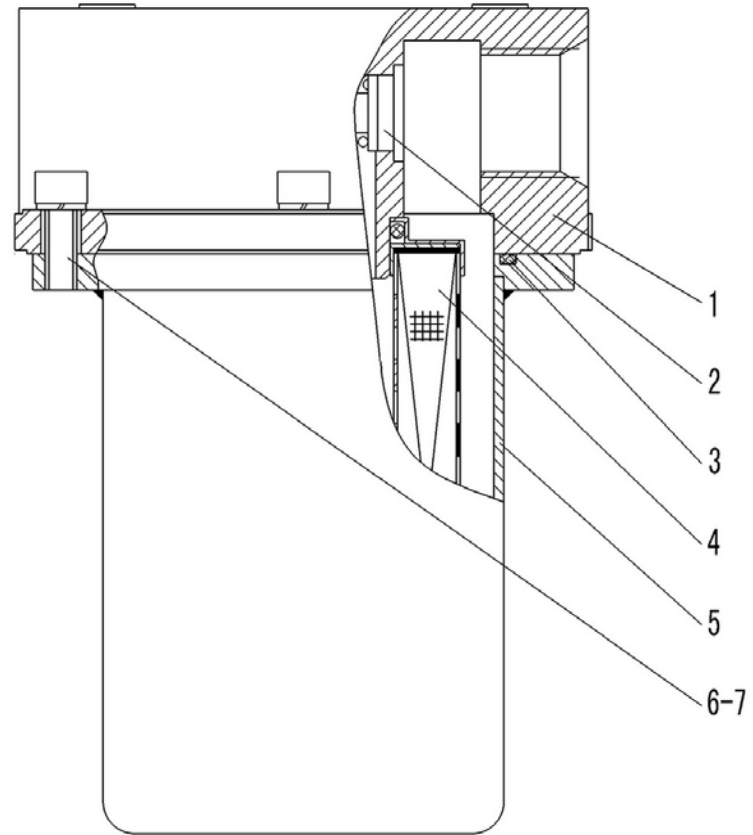
序号 Key	零件代号 Part No.	名称 Description	是否配件 Spare parts Y/N	数量 Qty	备注 Remarks
55	4110000217020	导轮座YJ2804A00014	Y	1	
56	4011000794	螺栓GB21-M10*30EpZn-10.9	N	6	
57	4110000011097	垫圈10 01602-11030	Y	1	
58	4015000122	垫圈JB982-24	N	4	
59	4110000217034	螺塞07044-12412A	Y	1	
60	4110000217018	接头YJ2804C00007	Y	1	
61	4110000217001	减压阀YJ320-10000	Y	1	
62	4110000011097	垫圈10 01602-11030	Y	1	
63	4110000217056	螺栓01010-51025 M10*25	Y	4	
64	4110000217037	纸垫1YJ265-00012	Y	1	
65	4110000217023	回油阀YJ26540000	Y	1	
66	4110000217057	螺栓01010-51095 M10*95	Y	4	
67	4110000011097	垫圈10 01602-11030	Y	1	
68	4110000217062	挡圈04064-03818 38	Y	1	
69	4110000217006	涡轮轴YJ2801C00002	Y	1	
70	4110000217069	密封环YJ265-00014	Y	1	
71	4021000021	滚动轴承GB276-6308	Y	1	
72	4110000217066	挡圈04065-09030 90	Y	1	

变矩器YJ280-4DL(370804) TORQUE CONVERTER YJ280-4DL(370804)



序号 Key	零件代号 Part No.	名称 Description	是否配件 Spare parts Y/N	数量 Qty	备注 Remarks
73	7200000842	分油套YJ280-4A-00011	OIL-SEPARATING BARGE COWL YJ280-4A-00011	Y	1
74	4110000217043	油泵轴1YJ280-4A-00010X①	OIL PUMP SHAFT 1YJ280-4A-00010X①	Y	1
75	4110000084064	定位销ZL30D-11-22	SET PIN	Y	4
76	4110000217033	螺塞07043-00312	PLUP SCREW 07043-00312	Y	2
77	4110000217086	标牌YJ280-IDL-BP	BRAND	N	1
78	7200000846	铆钉3*6 04418-03060	RIVET 3*6 04418-03060	N	4
79	4110000217087	变速泵CB-FA25-FL-X	SHIFT PUMP CB-FA25-FL-X	Y	1
80	4110000217050	垫1YJ380Q-00021	CUSHION 1YJ380Q-00021	Y	1
81	4110000217088	接头ZL15C-00004L	POINT ZL15C-00004L	Y	1
82	4110000218081	螺母ZL15A-00013	NUT ZL15A-00013	Y	1
83	4110000218071	接头ZL15C-30000	JOINT ZL15C-30000	Y	1
84	4110000218069	接管ZL15C-00005	PIPING ZL15C-00005	Y	1
85	4110000218066	管接头ZL15A-00015	PIPE JOINT ZL15A-00015	Y	1

滤清器QF60M33G-1 (410708) CLEANER QF60M33G-1 (410708)



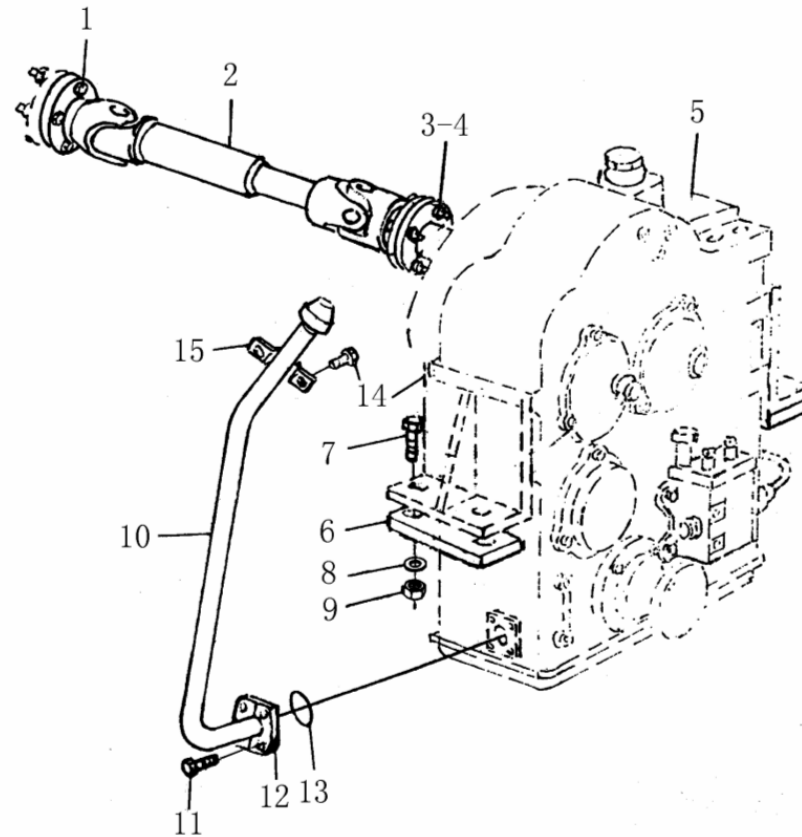
序号 Key	零件代号 Part No.	名称 Description	是否配件 Spare parts Y/N	数量 Qty	备注 Remarks
1	4110000507002	上壳体PYQ120A-001	UPPER SHELL PYQ120A-001	N	1
2	4110000507003	旁通阀SFM360-300	VALVE SFM360-300	N	1
3	4110000507004	胶圈PYQ120A-002W	CUSHION RUBBER PYQ120A-002W	Y	1
4	4110000508	滤清器滤芯	FILTER CORE	Y	1
5	4110000507005	下壳体PYQ120A-200	LOWER SHELL PYQ120A-200	N	1
6	4014000128	螺钉GB70-M8*25EpZn-8.8	SCREW GB70-M8*25EpZn-8.8	N	6
7	4015000036	垫圈GB93-8-65Mn	WASHER GB93-8-65Mn	N	6



C 变速箱系统
TRANSMISSION SYSTEM

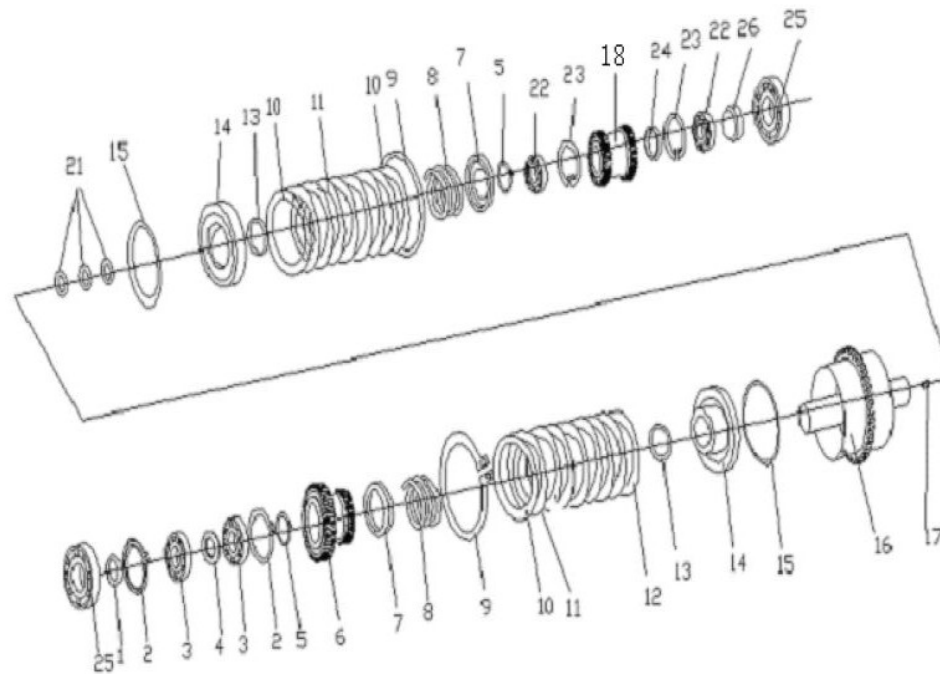
山东临工工程机械有限公司
SHANDONG LINGONG CONSTRUCTION MACHINERY CO.,LTD.

变速箱系统 TRANSMISSION SYSTEM



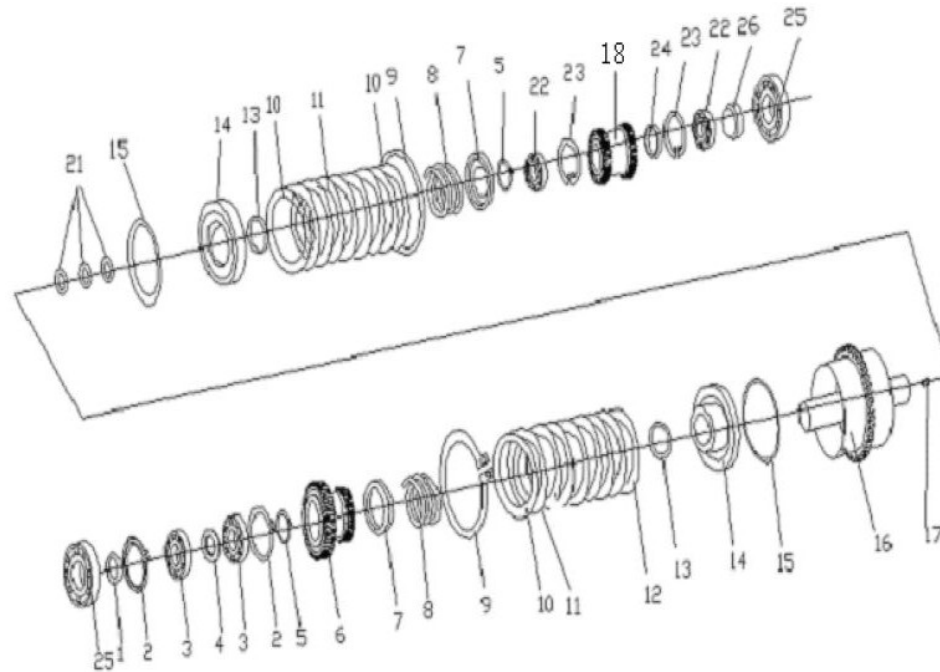
序号 Key	零件代号 Part No.	名称 Description	是否配件 Spare parts Y/N	数量 Qty	备注 Remarks
1	29050006521	螺栓	Y	4	
2	29050006531	主传动轴	Y	1	
3	29050006541	螺栓	Y	4	
4	4013000072	螺母GB889.2-M12*1.25EpZn-10	N	8	
5	4110000218	变速箱BD05N1	Y	1	
6	29050006551	橡胶垫	Y	2	
7	4011000499	螺栓GB5785-M16*1.5*70EpZn-8.8	N	4	
8	4015000181	垫圈GB97.1-16EpZn-300HV	N	4	
9	4013000129	螺母GB889.2-M16*1.5EpZn-8	N	4	
10	29050006562	加油管	Y	1	
11	4011000481	螺栓GB16674-M8*30EpZn-8.8	N	4	
12	29050006571	压盖	Y	1	
13	4030000152	O形圈GB3452.1-25.0*2.65G	Y	1	
14	4011000461	螺栓GB16674-M8*16EpZn-8.8	N	2	
15	29050006581	管夹	Y	1	

前进低档离合器(370804) GO FORWARD LOW-END CLUTCH(370804)



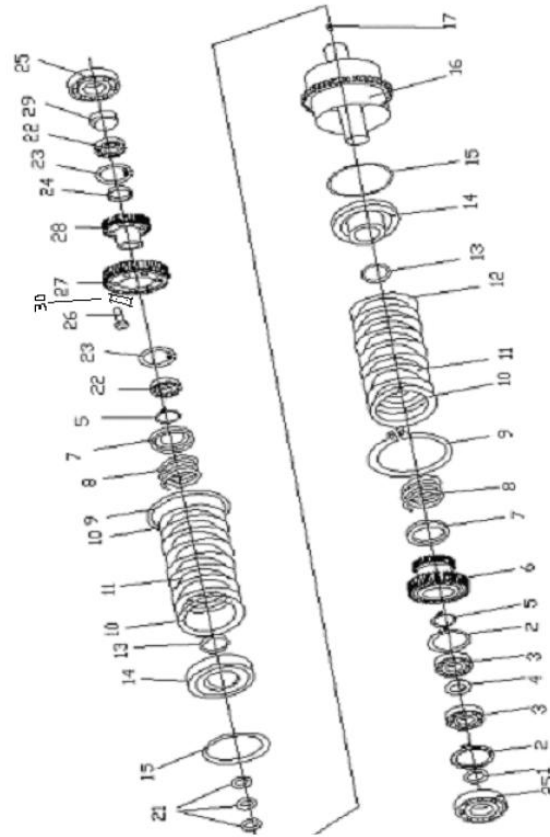
序号 Key	零件代号 Part No.	名称 Description	是否配件 Spare parts Y/N	数量 Qty	备注 Remarks
1	4110000218029	挡圈BD05-01012	Y	1	
2	4021000190	止动环GB305-80/86.6	N	2	
3	4021000170	P轴承GB276-6208N	Y	2	
4	4110000218028	挡圈BD05-01001	Y	1	
5	4015000046	挡圈GB894.1-50-65Mn	N	2	
6	4110000218016	齿轮BD05-01002	Y	2	
7	4110000218023	弹簧支承座BD05-01010	Y	2	
8	4110000218077	离合器弹簧BD05-01005	Y	2	
9	4015000300	挡圈GB893.1-150-65Mn	N	2	
10	4110000218078	离合器活塞压板BD05-01003	Y	2	
11	4110000218036	垫板BD05-01004	Y	8	
12	4110000218095	磨擦片BD05-01300	Y	8	
13	4030000035	O形圈GB3452.1-53.0*5.30G	Y	2	
14	4110000218068	活塞BD05-01101	Y	2	
15	4110000218094	密封环BD05-01103	Y	2	
16	4110000218096	前进低档离合器壳体BD05-01200	Y	1	
17	4110000218085	停用-螺塞07043-00108	Y	2	
18	4110000218017	齿轮BD05-01006	Y	1	

前进低档离合器(370804) GO FORWARD LOW-END CLUTCH(370804)



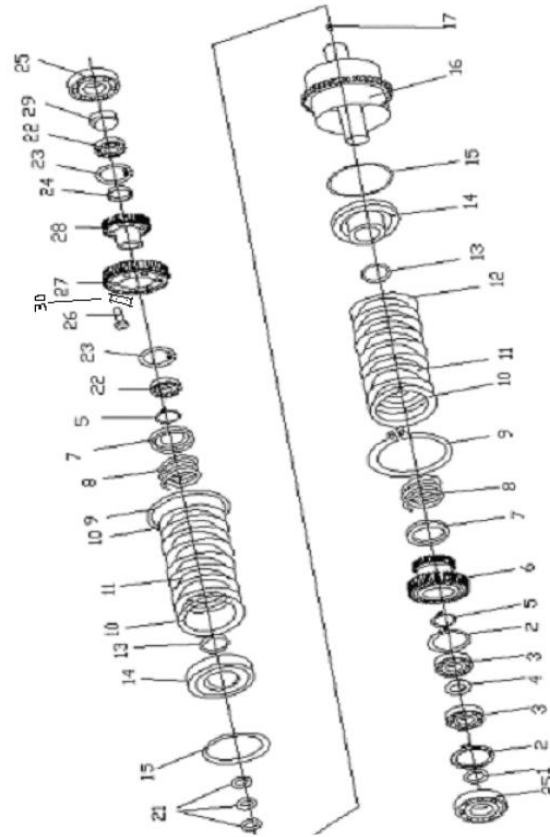
序号 Key	零件代号 Part No.	名称 Description	是否配件 Spare parts Y/N	数量 Qty	备注 Remarks
19		kongbai	N	0	
20		kongbai	N	0	
21	4110000218093	密封环BD05-01008	Y	3	
22	4021000009	滚动轴承GB276-6008	Y	2	
23	4015000199	挡圈GB893.1-68-65Mn	N	2	
24	4110000218024	挡环BD05-01007	Y	1	
25	4021000021	滚动轴承GB276-6308	Y	2	
26	4110000218025	挡环BD05-01009	Y	1	

倒退高档离合器(370804) BACKWARD HIGH-END CLUTCH(370804)



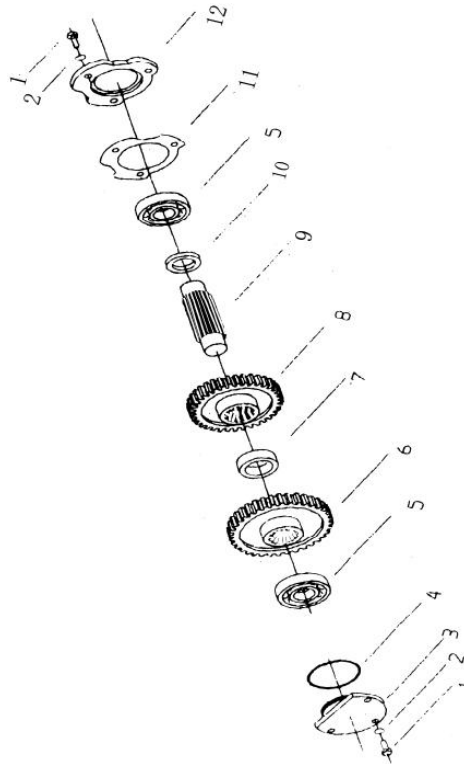
序号 Key	零件代号 Part No.	名称 Description	是否配件 Spare parts Y/N	数量 Qty	备注 Remarks
1	4110000218029	挡圈BD05-01012	Y	1	
2	4021000190	止动环GB305-80/86.6	N	2	
3	4021000170	P轴承GB276-6208N	Y	2	
4	4110000218028	挡圈BD05-01001	Y	1	
5	4015000046	挡圈GB894.1-50-65Mn	N	2	
6	4110000218016	齿轮BD05-01002	Y	1	
7	4110000218023	弹簧支承座BD05-01010	Y	2	
8	4110000218077	离合器弹簧BD05-01005	Y	2	
9	4015000300	挡圈GB893.1-150-65Mn	N	2	
10	4110000218078	离合器活塞压板BD05-01003	Y	2	
11	4110000218036	垫板BD05-01004	Y	8	
12	4110000218095	磨擦片BD05-01300	Y	8	
13	4030000035	O形圈GB3452.1-53.0*5.30G	Y	1	
14	4110000218068	活塞BD05-01101	Y	2	
15	4110000218094	密封环BD05-01103	Y	2	
16	4110000218030	倒退高档离合器壳体BD05-02100	Y	1	
17	4110000218082	螺塞07043-00108	Y	2	
18		kongbai	N	0	

倒退高档离合器(370804) BACKWARD HIGH-END CLUTCH(370804)



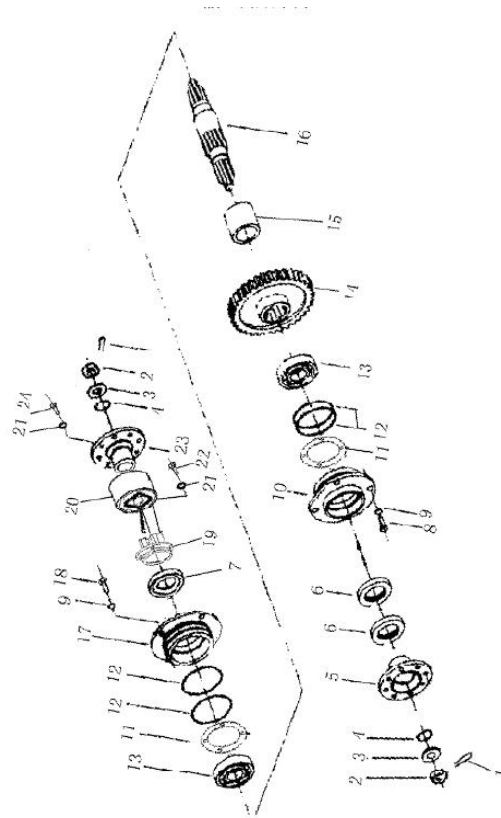
序号 Key	零件代号 Part No.	名称 Description	是否配件 Spare parts Y/N	数量 Qty	备注 Remarks
19		kongbai	N	0	
20		kongbai	N	0	
21	4110000218093	密封环BD05-01008	Y	3	
22	4021000021	滚动轴承GB276-6308	Y	2	
23	4015000199	挡圈GB893.1-68-65Mn	N	2	
24	4110000218026	挡环BD05-02001	Y	1	
25	4021000021	滚动轴承GB276-6308	Y	2	
26	4110000218090	螺栓01010-31225 M12*25	Y	6	
27	4110000218018	齿轮BD05-02201	Y	1	
28	4110000218019	齿轮BD05-02202	Y	1	
29	4110000218027	挡环BD05-02002	Y	1	
30	4110000218104	止动垫BD05-02203	Y	3	

中间轴部件 I(370804) DUMMY SHAFT PARTS I(370804)



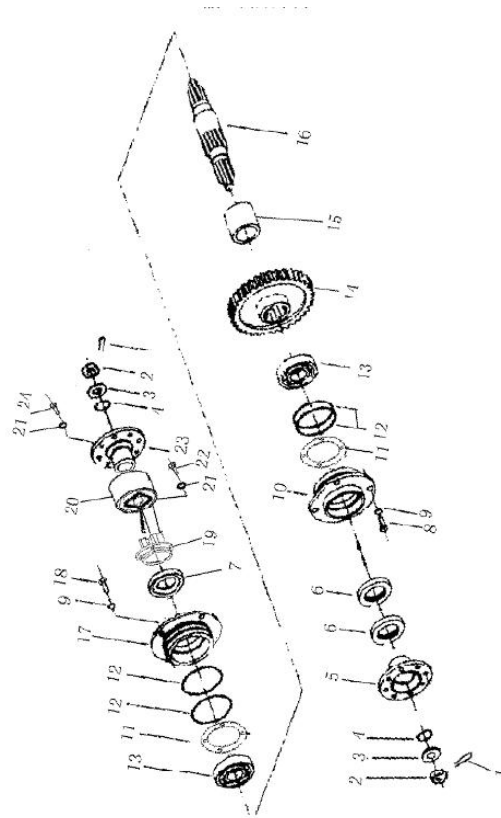
序号 Key	零件代号 Part No.	名称 Description	是否配件 Spare parts Y/N	数量 Qty	备注 Remarks
1	4110000218086	螺栓01010-31025 M10*25	BOLT 01010-31025 M10*25	Y	6
2	4110000011097	垫圈10 01602-11030	WASHER 10 01602-11030	Y	1
3	4110000218048	端盖BD05-00018	SHELL COVER BD05-00018	Y	1
4	4110000218003	O 形圈07000-02085 85*2.5	O-RING 07000-02085 85*2.5	Y	1
5	4021000021	滚动轴承GB276-6308	ROLLING BEARING GB276-6308	Y	2
6	4110000218014	齿轮BDS05-00017	GEAR BDS05-00017	Y	1
7	4110000218055	隔套BD05-00019	EVERY SET BD05-00019	Y	1
8	4110000218013	齿轮BD05-00002	GEAR BD05-00002	Y	1
9	4110000218107	中间轴BD05-00003	DUMMY SHAFT BD05-00003	Y	1
10	4110000218054	隔套BD05-00005	EVERY SET BD05-00005	Y	1
11	4110000218032	垫BD05-00006	PAD BD05-00006	Y	1
12	4110000218047	端盖BD05-00004	SHELL COVER BD05-00004	Y	1

输出轴部分(370804) OUTPUT SHAFT PART(370804)



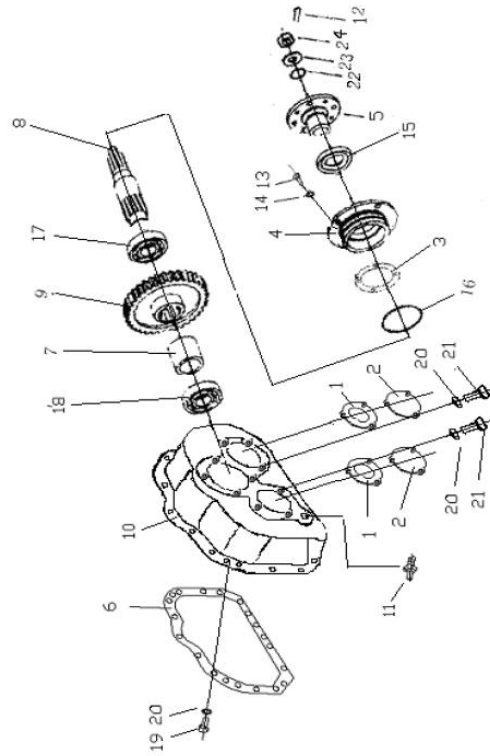
序号 Key	零件代号 Part No.	名称 Description	是否配件 Spare parts Y/N	数量 Qty	备注 Remarks
1	4110000218075	开口销04050-04030	Y	2	
2	4110000218080	螺母BD05-00010	Y	2	
3	4110000218022	大垫圈01643-32260	Y	2	
4	4110000218008	O 形圈07000-03032	Y	2	
5	4110000218050	法兰盘BD05K-03000	Y	1	
6	4110000218057	骨架油封 BAU48-70-10	Y	2	
7	4110000218058	骨架油封07012-70050	Y	1	
8	4110000218090	螺栓01010-31225 M12*25	Y	8	
9	4110000011108	垫圈12 01602-11236	Y	1	
10	4110000218110	轴承座BD05-00008	Y	1	
11	4110000218046	调整垫BD05-00014	Y	6	
12	4110000218007	O 形圈07000-02105 105*3.1	Y	4	
13	4021000171	P轴承GB297-30308	Y	2	
14	4110000218099	输出齿轮BDS05-00016	Y	1	
15	4110000218056	隔套BD05-00007	Y	1	
16	4110000218100	输出轴BD05L-00003	Y	1	
17	4110000218111	轴承座BD05L-00002	Y	1	
18	4110000218091	螺栓01010-51235 M12*35	Y	4	

输出轴部分(370804) OUTPUT SHAFT PART(370804)



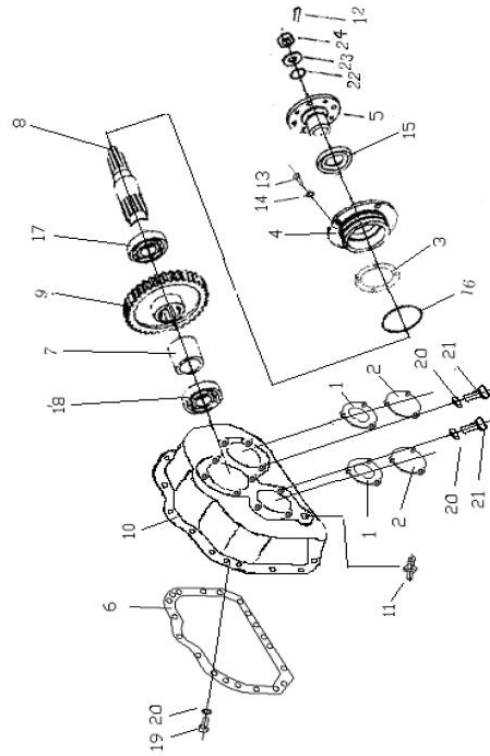
序号 Key	零件代号 Part No.	名称 Description	是否配件 Spare parts Y/N	数量 Qty	备注 Remarks
19	4110000218105	制动器支座ZL15E-00002	Y	1	
20	4110000223005	制动器0DFX.2-15C	Y	1	
21	4110000218043	垫圈01602-01030 10	Y	1	
22	4014000185	螺钉GB70-M10*30EpZn-8.8	N	4	
23	4110000218049	法兰BD05K-00001	Y	1	
24	4110000218086	螺栓01010-31025 M10*25	Y	8	

输入部分(370804) INPUT PART(370804)



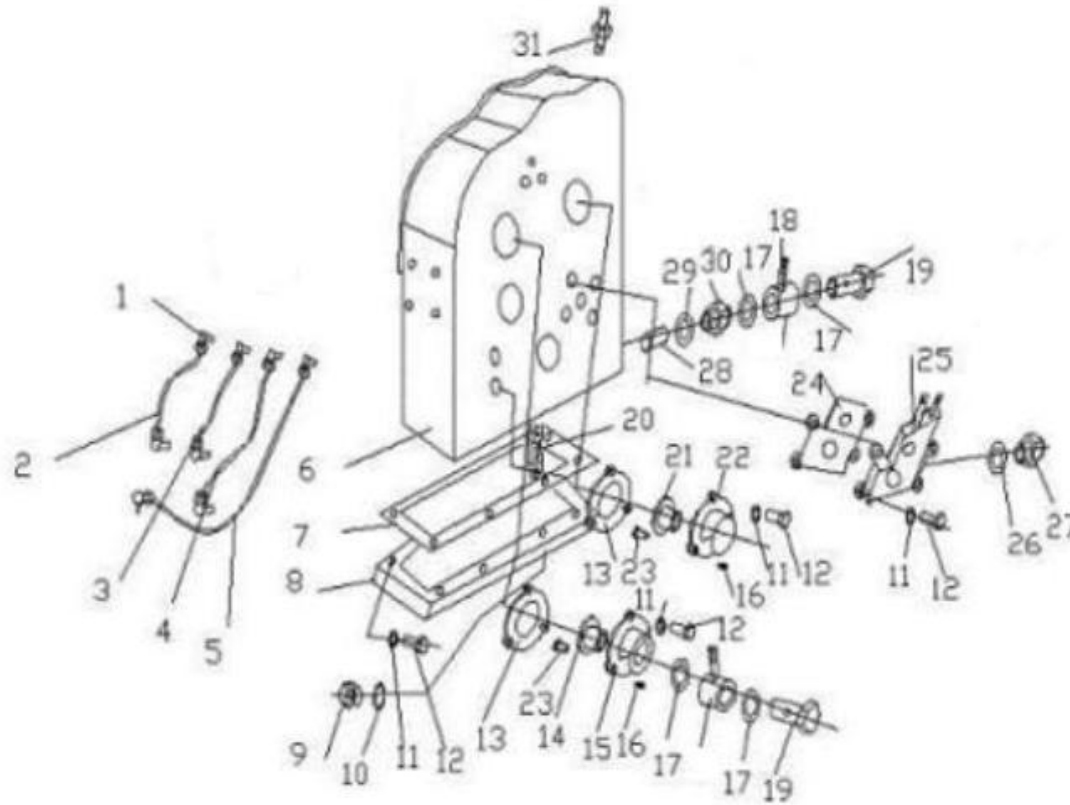
序号 Key	零件代号 Part No.	名称 Description	是否配件 Spare parts Y/N	数量 Qty	备注 Remarks
1	4110000218108	轴承盖BDX05-00001	Y	2	
2	4110000218038	垫片BDX05-00002	Y	2	
3	4110000218039	垫片BDX05-00003	Y	1	
4	4110000218109	轴承座BDX05-00004	Y	1	
5	4110000218101	输入法兰盘BDX05-01000	Y	1	
6	4110000218092	密封垫BDX05-00006	Y	1	
7	4110000218045	调整垫BDX05-00008	Y	1	
8	4110000218102	输入轴BDX05-00009	Y	1	
9	4110000218015	齿轮BDX05-00010	Y	1	
10	4110000218021	传动箱壳体BDX05-00011	Y	1	
11	4110000218065	管接头BDX05-00012	Y	1	
12	4110000218075	开口销04050-04030	Y	1	
13	4110000218088	螺栓01010-31230 M12*30	Y	4	
14	4110000011108	垫圈12 01602-11236	Y	1	
15	4110000218057	骨架油封 BAU48-70-10	Y	1	
16	4110000218004	O 形圈07000-02105 105*2.5	Y	1	
17	4021000021	滚动轴承GB276-6308	Y	1	
18	4021000169	P轴承GB276-6006	Y	1	

输入部分(370804) INPUT PART(370804)



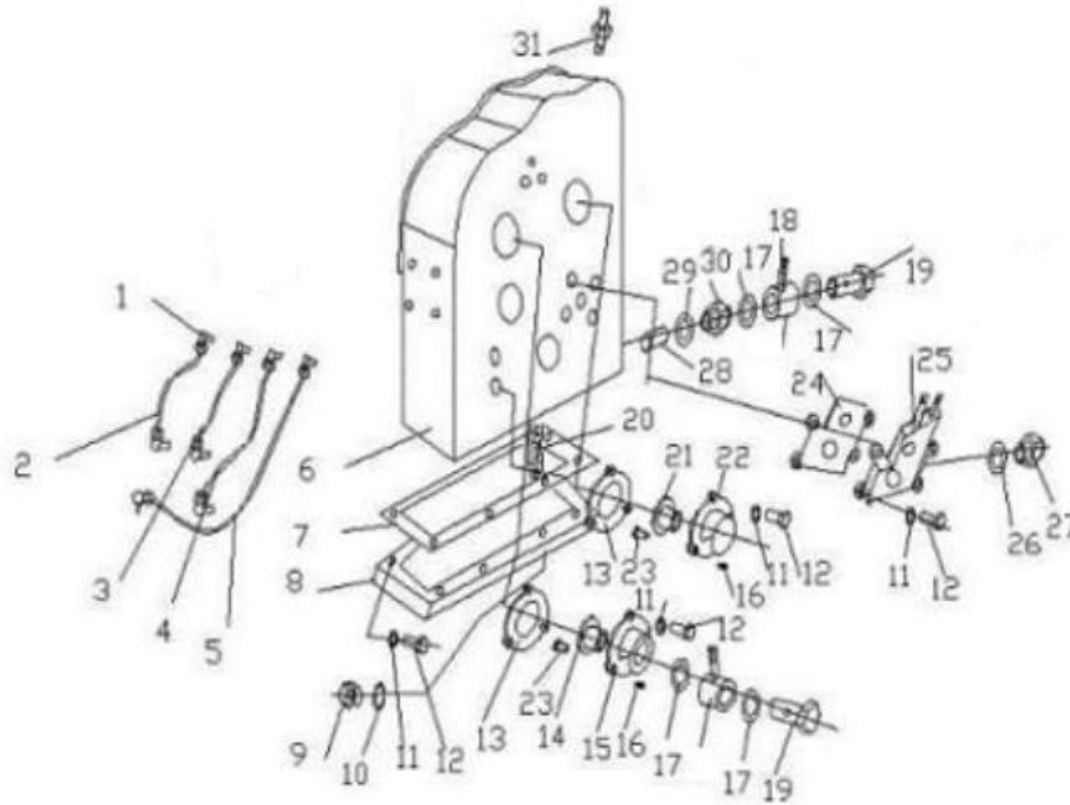
序号 Key	零件代号 Part No.	名称 Description	是否配件 Spare parts Y/N	数量 Qty	备注 Remarks
19	4110000218087	螺栓01010-31030 M10*30	BOLT 01010-31030 M10*30	Y	15
20	4110000218040	停用-垫圈01602-11030 10	WASHER 01602-11030 10	Y	21
21	4110000218086	螺栓01010-31025 M10*25	BOLT 01010-31025 M10*25	Y	6
22	4110000218005	O 形圈07000-03032 32*3.5	O-RING 07000-03032 32*3.5	Y	1
23	4110000218022	大垫圈01643-32260	GREAT WASHER 01643-32260	Y	1
24	4110000218080	螺母BD05-00010	NUT BD05-00010	Y	1

箱体及管路附件(370804) CASE AND PIPELINE ACCESSORIES(370804)



序号 Key	零件代号 Part No.	名称 Description	是否配件 Spare parts Y/N	数量 Qty	备注 Remarks
1	4110000218103	弯管接头BD05-00024	BEND PIECE BD05-00024	Y	8
2	4110000218059	管BD05-08000	PIPE BD05-08000	Y	1
3	4110000218060	管BD05-09000	PIPE BD05-09000	Y	1
4	4110000218061	管BD05-10000	PIPE BD05-10000	Y	1
5	4110000218062	管BD05-11000	PIPE BD05-11000	Y	1
6	4110000218076	壳体BD05-00001	SHELL BD05-00001	Y	1
7	4110000218033	垫BD05-00013	PAD BD05-00013	Y	1
8	4110000218031	底板BD05-00012	PLATE BD05-00012	Y	1
9	4110000218083	螺塞07044-12412	PLUG SCREW 07044-12412	Y	1
10	4110000218006	O 形圈07002-02434	O-RING 07002-02434	Y	1
11	4110000011097	垫圈10 01602-11030	WASHER 10 01602-11030	Y	22
12	4110000218086	螺栓01010-31025 M10*25	BOLT 01010-31025 M10*25	Y	22
13	4110000218037	垫片BD05-03004	GASKET BD05-03004	Y	2
14	4110000218011	衬套BD05-03001	BUSH BD05-03001	Y	1
15	4110000218052	盖BD05-03002	COVER BD05-03002	Y	1
16	4110000218082	螺塞07043-00108	PLUG SCREW 07043-00108	Y	5
17	4015000091	垫圈JB982-27	SEALING WASHER JB982-27	N	2
18	4110000218070	接头BD05N1-03000	JOINT BD05N1-03000	Y	1

箱体及管路附件(370804) CASE AND PIPELINE ACCESSORIES(370804)



序号 Key	零件代号 Part No.	名称 Description	是否配件 Spare parts Y/N	数量 Qty	备注 Remarks
19	4110000218089	螺栓ZL15B-00001	BOLT ZL15B-00001	Y	2
20	4110000218051	检油塞1305C-010	PLUG FOR CHECK UP 1305C-010	Y	2
21	4110000218012	衬套BD05-04002	BUSH BD05-04002	Y	1
22	4110000218053	盖BD05-04001	COVER BD05-04001	Y	1
23	4110000218079	螺钉BD05-03003	SCREW BD05-03003	Y	6
24	4110000218034	垫BD05-00025	PAD BD05-00025	Y	1
25	4110000218010	变速箱操纵阀ZL15G	TRANSMISSION CONTRL VALVE ZL15G	Y	1
26	4015000298	垫圈JB982-18	SEALING WASHER JB982-18	N	2
27	4110000218074	接头 转向器 1号 GB-4	JOINT STEERING DEVICE GB-4	Y	1
28	4110000218001	滤油器 BD05-13000	OIL-FILTER BD05-13000	Y	1
29	4015000299	垫圈JB982-48	SEALING WASHER JB982-48	N	1
30	4110000218084	螺塞BD05-00027	PLUG SCREW BD05-00027	Y	1
31	4110000223018	呼吸器1BD05N1-05000	INSPIRATOR 1BD05N1-05000	Y	1

D 变速操纵系统
TRANSMISSION CONTROL SYSTEM

山东临工工程机械有限公司
SHANDONG LINGONG CONSTRUCTION MACHINERY CO.,LTD.



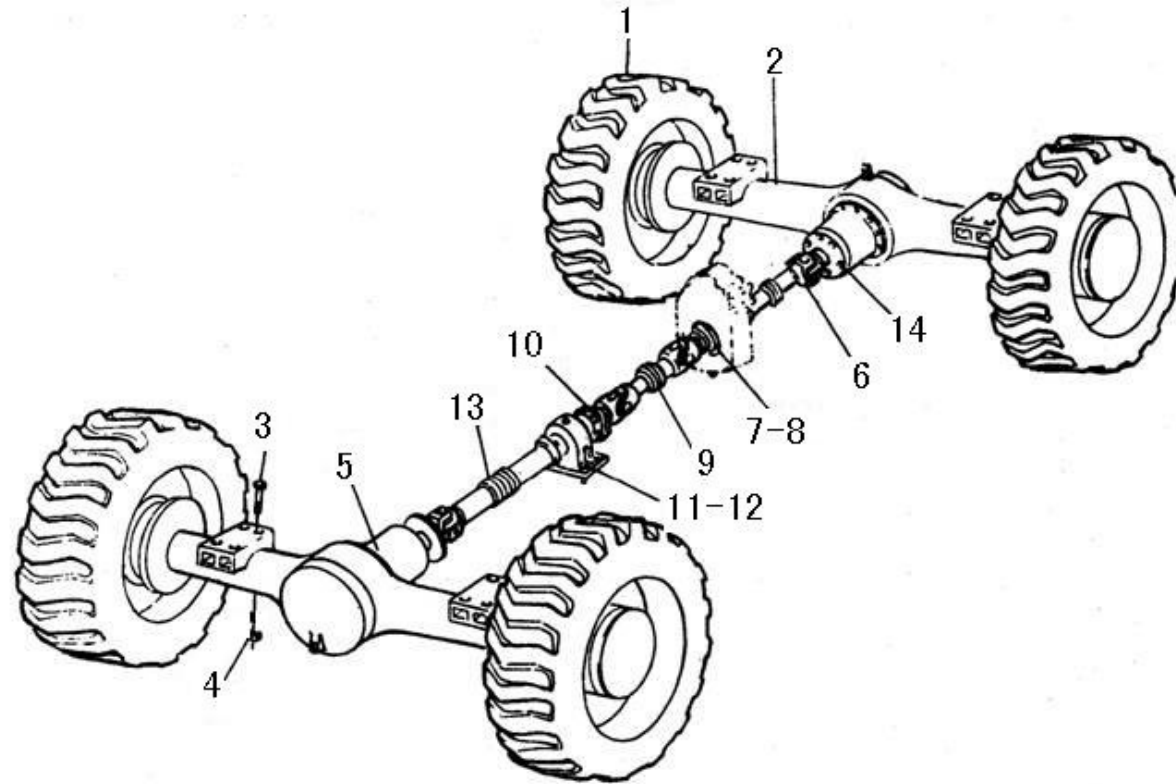
变速操纵系统 TRANSMISSION CONTROL SYSTEM

序号 Key	零件代号 Part No.	名称 Description	是否配件 Spare parts Y/N	数量 Qty	备注 Remarks
1	4011000184	螺栓GB5783-M10*40EpZn-8.8	BOLT GB5783-M10*40EpZn-8.8	N	6
2	4015000025	垫圈GB93-10-65Mn	WASHER GB93-10-65Mn	N	6
3	29060006521	左固定架	BOLT GB16674-M10*25EpZn-8.8	Y	1
4	29060006531	右固定架	RIGHT FIXED BEARER	Y	1
5	29060008051	板	PLATE	N	1
6	4040000001	垫圈LGB001-12	WASHER LGB001-12*45*6	Y	1
7	4013000007	螺母GB6170-M10EpZn-8	NUT GB6170-M10EpZn-8	N	2
8	29060006541	支架	BEARER	Y	1
9	29060006551	档位操纵机构	CONTROL CABLE ASS'Y	Y	1

E 驱动桥系统
AXLE SYSTEM

山东临工工程机械有限公司
SHANDONG LINGONG CONSTRUCTION MACHINERY CO.,LTD.

驱动桥系统 AXLE SYSTEM



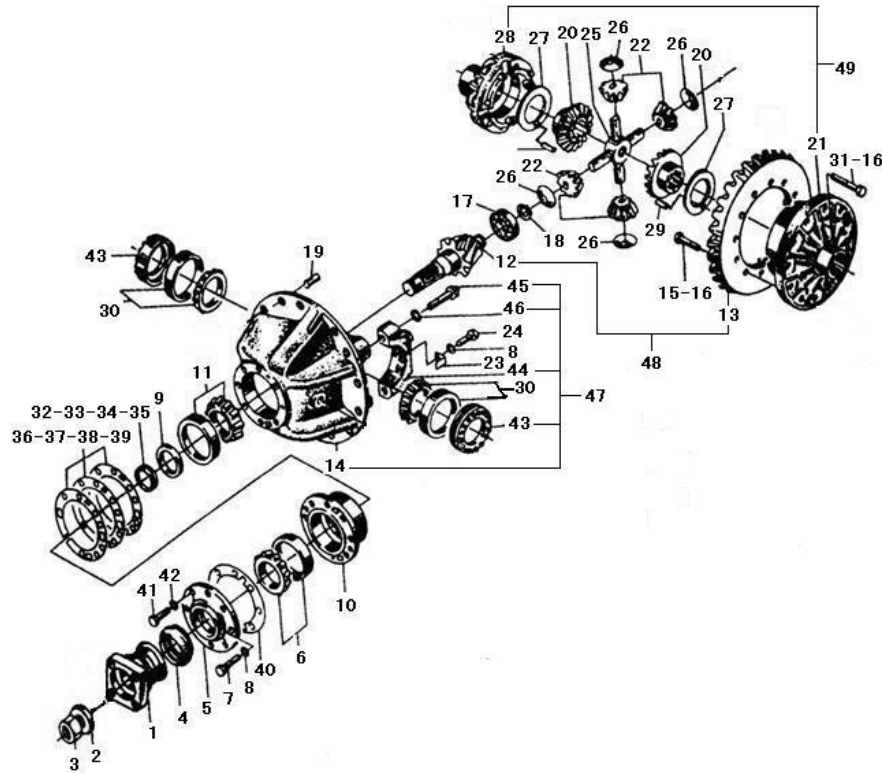
序号 Key	零件代号 Part No.	名称 Description	是否配件 Spare parts Y/N	数量 Qty	备注 Remarks
1	29070006521	车轮总成	Y	4	
2	29090007991	A506后驱动桥总成	Y	1	
3	4011000848	螺栓GB5785-M20*1.5*185EpZn-8.8	N	1	
4	4013000160	螺母GB889.2-M20*1.5EpZn-8	N	16	
5	29070010001	A506前驱动桥总成	Y	1	
6	29080006531	后传动轴	Y	1	
7	29080001031	螺栓	Y	4	
8	29080007561	止动垫圈	Y	2	
9	29050006531	主传动轴	Y	1	
10	4013000072	螺母GB889.2-M12*1.25EpZn-10	N	18	
11	4011000568	螺栓GB5786-M12*1.25*40EpZn-10.9	N	2	
12	4015000168	垫圈GB97.1-12EpZn-300HV	N	2	
13	29080006521	前传动轴	Y	1	
14	29050006541	螺栓	Y	16	



前、后驱动桥总成 FRONT、REAR AXLE ASSEMBLY

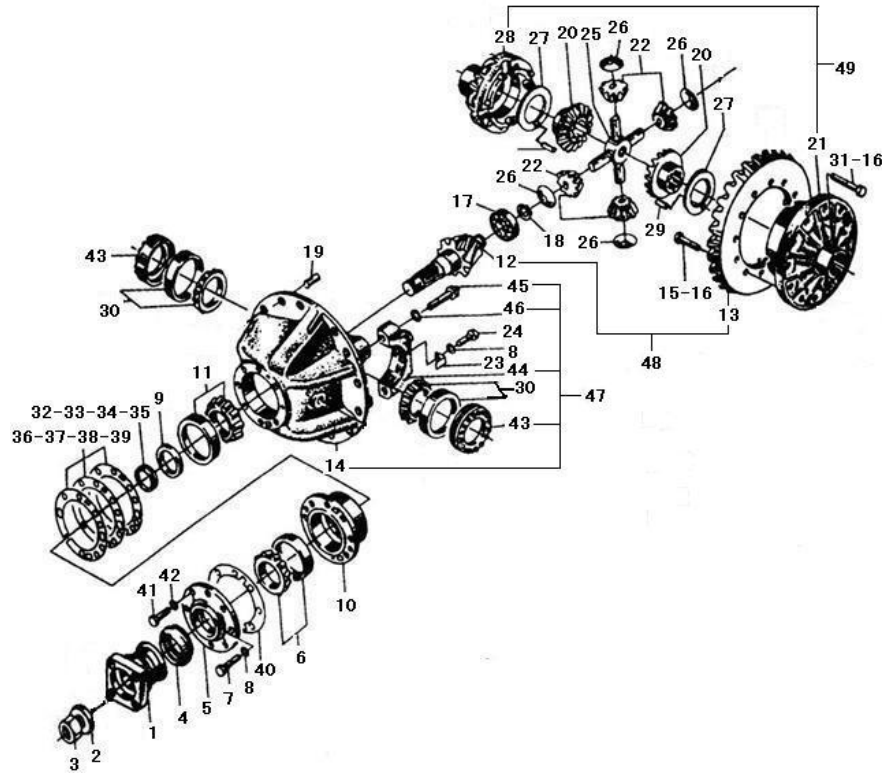
序号 Key	零件代号 Part No.	名称 Description	是否配件 Spare parts Y/N	数量 Qty	备注 Remarks
1	4120001827	制动钳-LG918	DISC BRAKE-LG918	Y	4
2	4011000698	螺栓GB5786-M16*1.5*55EpZn-8.8	BOLT GB5786-M16*1.5*55EpZn-8.8	N	16
3	29070009511	垫圈	WASHER	N	16
4	29070010011	前桥壳总成	FRONT AXLE HOUSING	Y	2
5	4011000568	螺栓GB5786-M12*1.25*40EpZn-10.9	BOLT GB5786-M12*1.25*40EpZn-10.9	N	24
6	4015000026	垫圈GB93-12-65Mn	WASHER GB93-12-65Mn	N	24
7	29070010021	前主传动	FRONT AXLE MAIN DRIVE	Y	1
8	29070008051	盖帽	HOOD	Y	2
9	4090000097	钢球GB308-6-GCr15	STEEL BALL GB308-6-GCr15	Y	2
10	29070008021	透气帽体	AERATION CAP BODY	Y	2
11	3050900003	轮辋螺母	RIM NUT	Y	32
12	29070010031	轮边减速器	FINAL DRIVE	N	4
13	29090008001	后主传动	REAR AXLE MAIN DRIVE	Y	1

前主传动总成 FRONT MAIN DRIVE ASSEMBLY



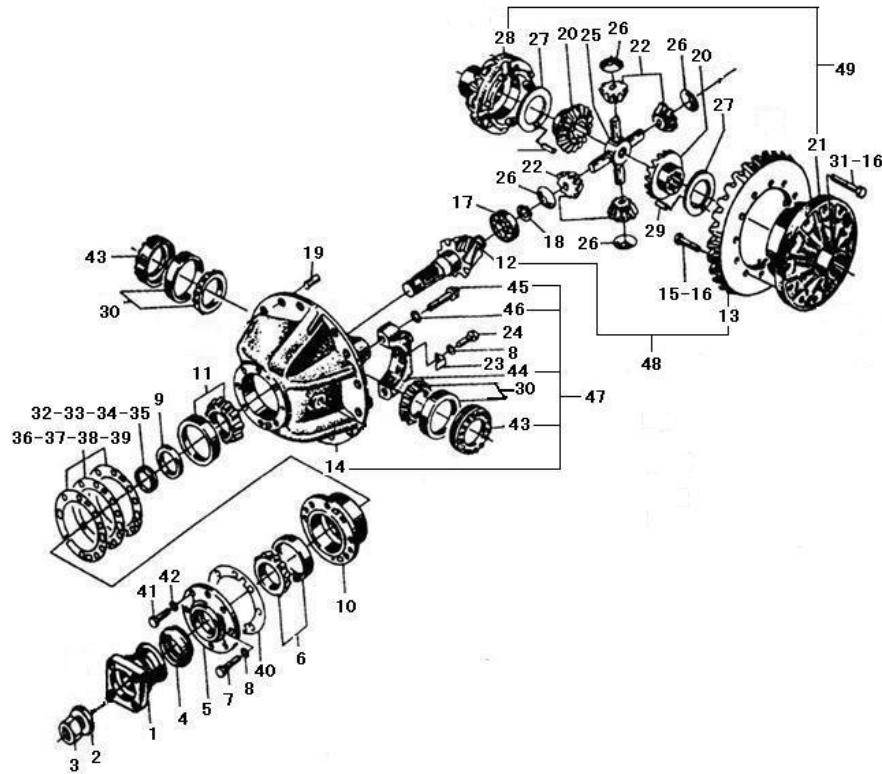
序号 Key	零件代号 Part No.	名称 Description	是否配件 Spare parts Y/N	数量 Qty	备注 Remarks
1	29070010041	输入法兰 INPUT PLANGE	Y	1	
2	29070010521	垫圈 WASER	Y	1	
3	4013000042	螺母GB6171-M24*2EpZn-8 NUT GB6171-M24*2EpZn-8	N	1	
4	4030000537	旋转轴唇形密封圈GB9877.1-FB60*85*8D LIP-TYPE PACKING GB9877.1-FB60*85*8D	Y	1	
5	29070010071	密封盖 SEALING COVER	Y	1	
6	4021000132	滚动轴承GB297-31309 BEARING GB297-31309	Y	1	
7	4011000048	螺栓GB5782-M10*50EpZn-8.8 BOLT GB5782-M10*50EpZn-8.8	N	1	
8	4015000025	垫圈GB93-10-65Mn WASHER GB93-10-65Mn	N	3	
9	29070010081	轴套 SHAFT SLEEVE	Y	1	
10	29070010091	轴承套 BEARING SEAT	Y	1	
11	4021000028	滚动轴承GB297-31310 BEARING GB297-31310	Y	1	
12	29070010101	主动螺旋伞齿轮（左） SPIRAL BEVEL GEAR PINION (LEFT)	N	1	
13	29070010111	从动螺旋伞齿轮（右） SPIRAL BEVEL GEAR SLAVE (RIGHT)	N	1	
14	29070010311	托架 BEARER	N	1	
15	4011000599	螺栓GB5786-M12*1.25*30EpZn-10.9 BOLT GB5786-M12*1.25*30EpZn-10.9	N	12	
16	29070010131	垫圈 WASHER	N	20	
17	4021000133	滚动轴承GB283-NUP2305 BEARING GB283-NUP2305	Y	1	
18	4015000130	挡圈GB894.1-25-65Mn RING SNAP GB894.1-25-65Mn	N	1	

前主传动总成 FRONT MAIN DRIVE ASSEMBLY



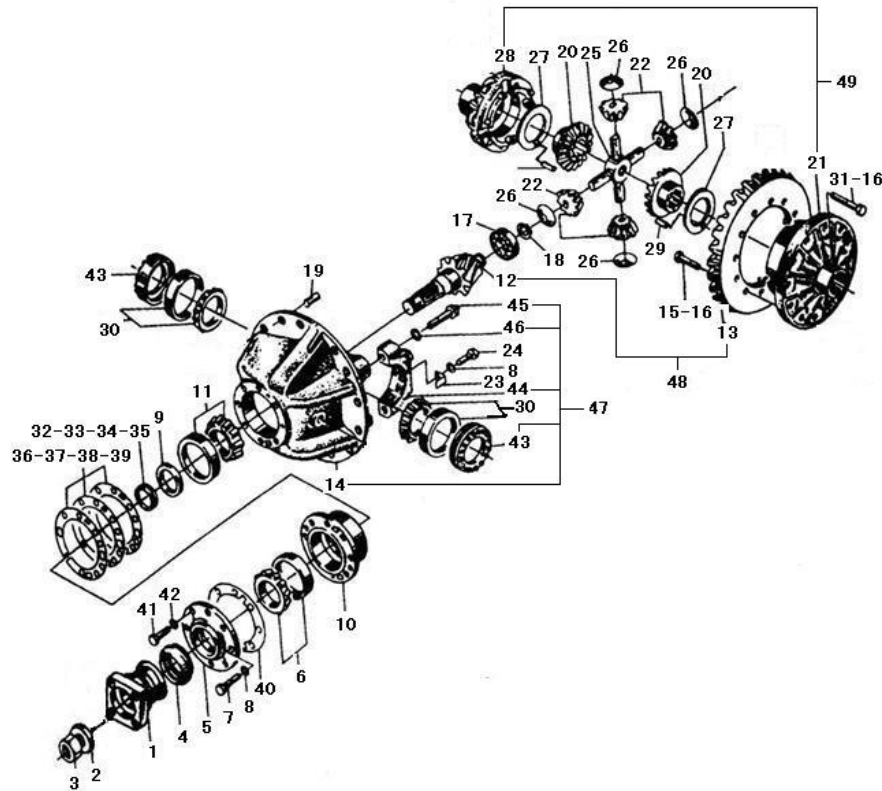
序号 Key	零件代号 Part No.	名称 Description	是否配件 Spare parts Y/N	数量 Qty	备注 Remarks
19	4016000124	销GB119.2-10u8*30	N	2	
20	29070010141	半轴齿轮	Y	2	
21	29070010151	差速器左壳	N	1	
22	29070010161	锥齿轮	Y	4	
23	3050900024	锁紧片	Y	2	
24	4011000597	螺栓GB5786-M10*1*20EpZn-8.8	N	2	
25	29070010171	十字轴	Y	1	
26	29070010181	锥齿轮垫片	Y	4	
27	29070010191	半轴齿轮垫片	Y	2	
28	29070010201	差速器右壳	N	1	
29	29070010211	固定销	Y	4	
30	4021000134	滚动轴承GB297-32212	Y	2	
31	4011000699	螺栓GB5785-M12*1.25*50EpZn-10.9	N	8	
32	29070010221	调整垫片	Y	2	
33	29070010231	调整垫片	Y	2	
34	29070010241	调整垫片	Y	3	
35	29070010251	调整垫片	Y	3	
36	29070010261	调整垫片	Y	1	

前主传动总成 FRONT MAIN DRIVE ASSEMBLY



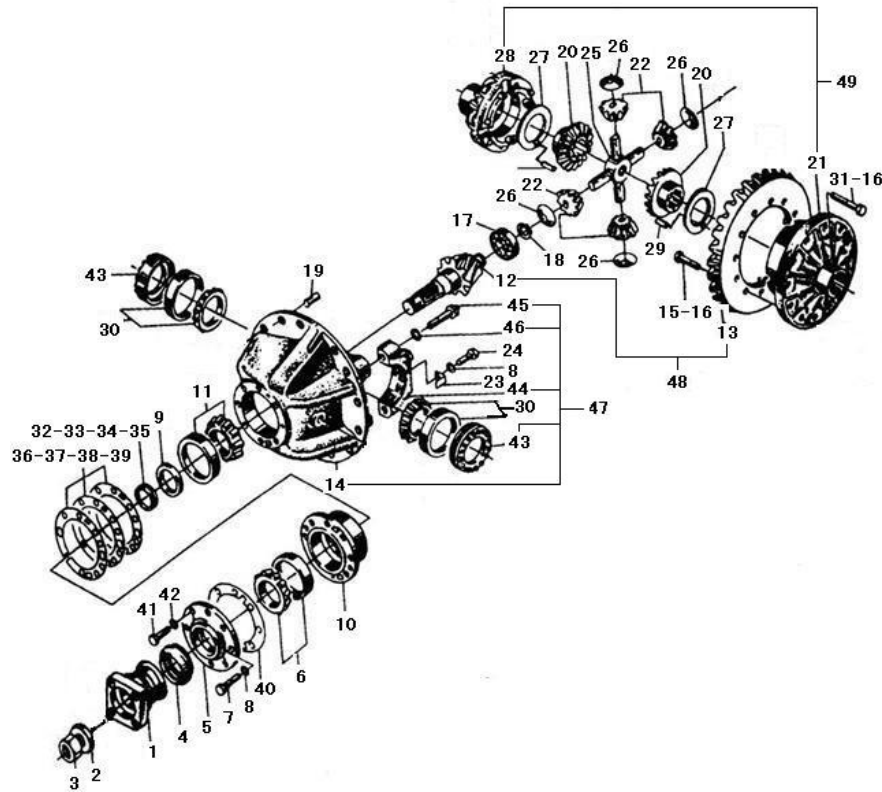
序号 Key	零件代号 Part No.	名称 Description	是否配件 Spare parts Y/N	数量 Qty	备注 Remarks	
37	29070010271	调整垫片	ADJUSTING SHIM	Y	3	
38	29070010281	调整垫片	ADJUSTING SHIM	Y	4	
39	29070010291	调整垫片	ADJUSTING SHIM	Y	5	
40	29070010301	密封垫片	SEAL WASHER	Y	1	
41	4011000064	螺栓GB5782-M12*50EpZn-8.8	BOLT GB5782-M12*50EpZn-8.8	N	7	
42	4015000026	垫圈GB93-12-65Mn	WASHER GB93-12-65Mn	N	7	
43	29070010321	调整螺母	ADJUSTING NUT	Y	2	
44	29070010331	轴承座	BEARING BLOCK	N	2	
45	4011000231	螺栓GB5782-M16*70EpZn-8.8	BOLT GB5782-M16*70EpZn-8.8	N	4	
46	29070009511	垫圈	WASHER	N	4	
47	29070010121	托架总成	BEARER ASSEMBLY	Y	1	
48	2190900117	前主从动螺旋伞齿轮	FRONT SPIRAL BEVEL GEAR PINION	Y	1	
49	2190900118	差速器壳	CASE DIFF	Y	1	

后主传动总成 REAR AXLE MAIN DRIVE ASS'Y



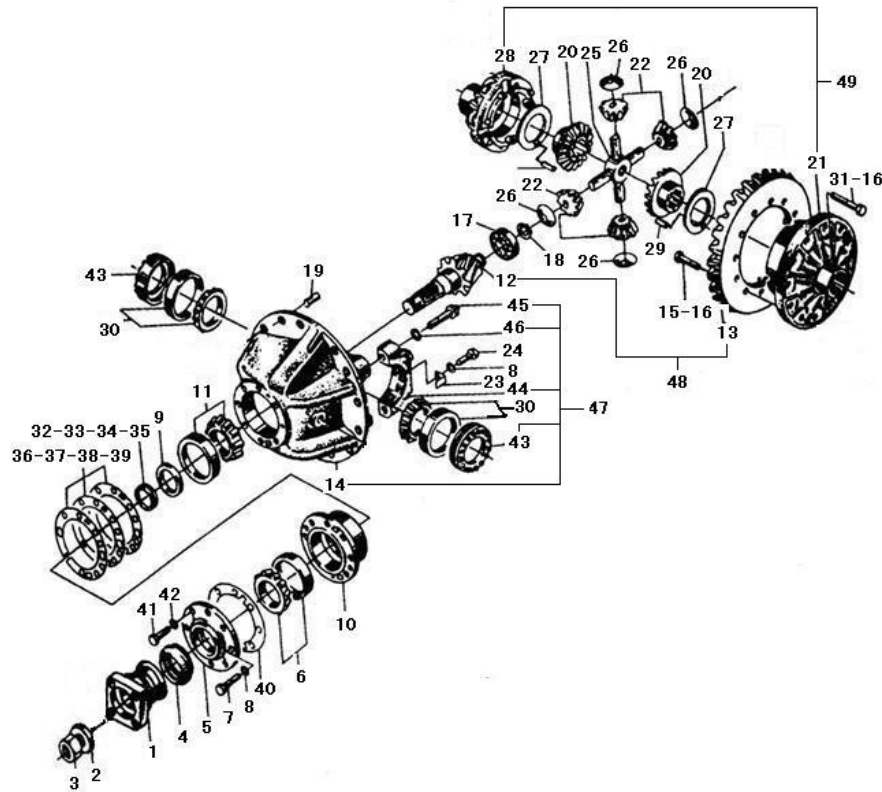
序号 Key	零件代号 Part No.	名称 Description	是否配件 Spare parts Y/N	数量 Qty	备注 Remarks
1	29070010041	输入法兰 INPUT PLANGE	Y	1	
2	29070010521	垫圈 WASER	Y	1	
3	4013000042	螺母GB6171-M24*2EpZn-8 NUT GB6171-M24*2EpZn-8	N	1	
4	4030000537	旋转轴唇形密封圈GB9877.1-FB60*85*8D LIP-TYPE PACKING GB9877.1-FB60*85*8D	Y	1	
5	29070010071	密封盖 SEALING COVER	Y	1	
6	4021000132	滚动轴承GB297-31309 BEARING GB297-31309	Y	1	
7	4011000048	螺栓GB5782-M10*50EpZn-8.8 BOLT GB5782-M10*50EpZn-8.8	N	1	
8	4015000025	垫圈GB93-10-65Mn WASHER GB93-10-65Mn	N	3	
9	29070010081	轴套 SHAFT SLEEVE	Y	1	
10	29070010091	轴承套 BEARING SEAT	Y	1	
11	4021000028	滚动轴承GB297-31310 BEARING GB297-31310	Y	1	
12	29090008011	主动螺旋伞齿轮（右） SPIRAL BEVEL GEAR PINION (RIGHT)	N	1	
13	29090008031	从动螺旋伞齿轮（左） SPIRAL BEVEL GEAR SLAVE (LEFT)	N	1	
14	29070010311	托架 BEARER	N	1	
15	4011000599	螺栓GB5786-M12*1.25*30EpZn-10.9 BOLT GB5786-M12*1.25*30EpZn-10.9	N	12	
16	29070010131	垫圈 WASHER	N	20	
17	4021000133	滚动轴承GB283-NUP2305 BEARING GB283-NUP2305	Y	1	
18	4015000130	挡圈GB894.1-25-65Mn RING SNAP GB894.1-25-65Mn	N	1	

后主传动总成 REAR AXLE MAIN DRIVE ASS'Y



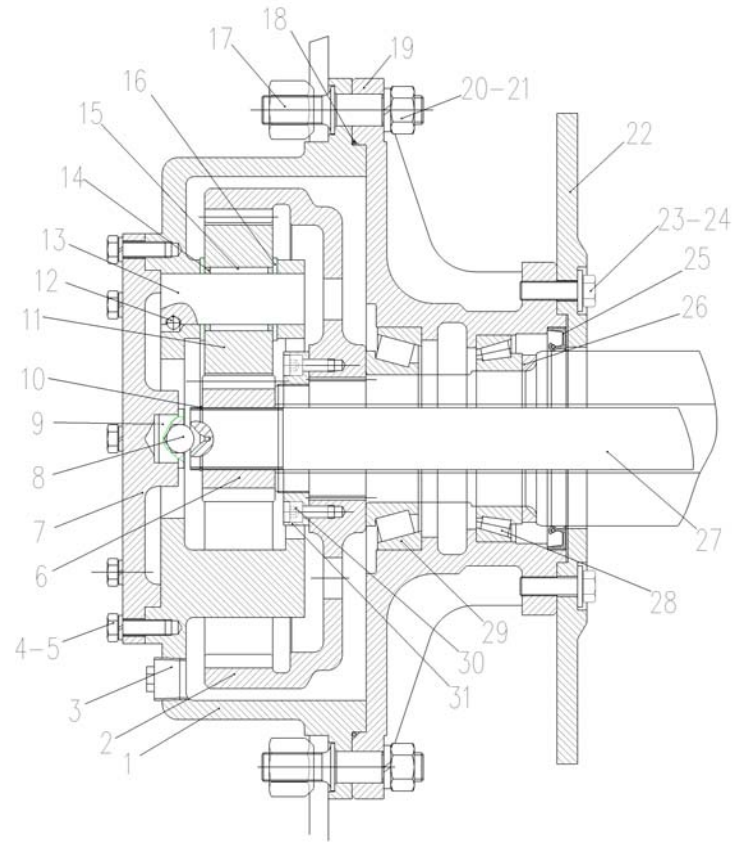
序号 Key	零件代号 Part No.	名称 Description	是否配件 Spare parts Y/N	数量 Qty	备注 Remarks
19	4016000124	销GB119.2-10u8*30	N	2	
20	29070010141	半轴齿轮	Y	2	
21	29070010151	差速器左壳	N	1	
22	29070010161	锥齿轮	Y	4	
23	3050900024	锁紧片	Y	2	
24	4011000597	螺栓GB5786-M10*1*20EpZn-8.8	N	2	
25	29070010171	十字轴	Y	1	
26	29070010181	锥齿轮垫片	Y	4	
27	29070010191	半轴齿轮垫片	Y	2	
28	29070010201	差速器右壳	N	1	
29	29070010211	固定销	Y	4	
30	4021000134	滚动轴承GB297-32212	Y	2	
31	4011000699	螺栓GB5785-M12*1.25*50EpZn-10.9	N	8	
32	29070010221	调整垫片	Y	2	
33	29070010231	调整垫片	Y	2	
34	29070010241	调整垫片	Y	3	
35	29070010251	调整垫片	Y	3	
36	29070010261	调整垫片	Y	1	

后主传动总成 REAR AXLE MAIN DRIVE ASS'Y



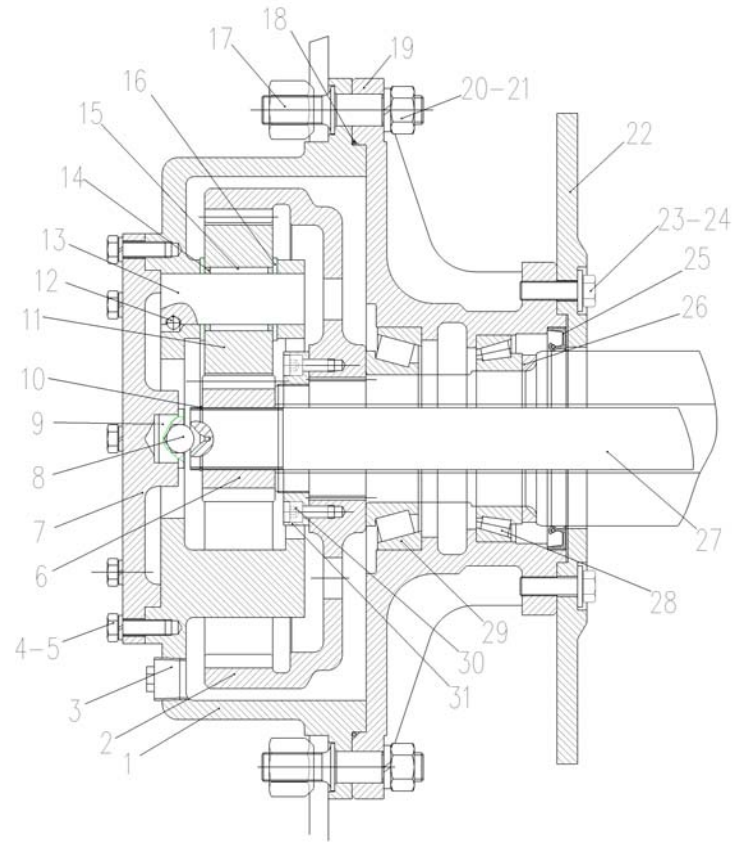
序号 Key	零件代号 Part No.	名称 Description	是否配件 Spare parts Y/N	数量 Qty	备注 Remarks	
37	29070010271	调整垫片	ADJUSTING SHIM	Y	3	
38	29070010281	调整垫片	ADJUSTING SHIM	Y	4	
39	29070010291	调整垫片	ADJUSTING SHIM	Y	5	
40	29070010301	密封垫片	SEAL WASHER	Y	1	
41	4011000064	螺栓GB5782-M12*50EpZn-8.8	BOLT GB5782-M12*50EpZn-8.8	N	7	
42	4015000026	垫圈GB93-12-65Mn	WASHER GB93-12-65Mn	N	7	
43	29070010321	调整螺母	ADJUSTING NUT	Y	2	
44	29070010331	轴承座	BEARING BLOCK	N	2	
45	4011000231	螺栓GB5782-M16*70EpZn-8.8	BOLT GB5782-M16*70EpZn-8.8	N	4	
46	29070009511	垫圈	WASHER	N	4	
47	29070010121	托架总成	BEARER ASSEMBLY	Y	1	
48	2190900116	后主从动螺旋伞齿轮	REAR SPIRAL BEVEL GEAR PINION	Y	1	
49	2190900118	差速器壳	CASE DIFF	Y	1	

轮边减速器总成 FINAL DRIVE ASSEMBLY



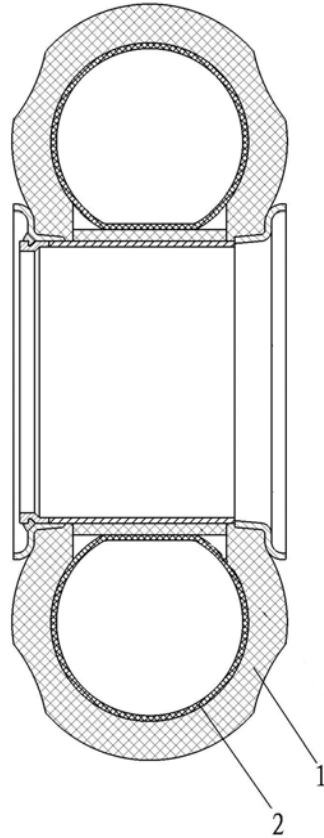
序号 Key	零件代号 Part No.	名称 Description	是否配件 Spare parts Y/N	数量 Qty	备注 Remarks
1	29070010371	行星轮架	PLANET PINION CARRIER	Y	1
2	29070010381	内齿圈	INTERNAL GEAR RING	Y	1
3	4120000080	螺塞Q/ZB286-ZG3/4"-Q235A	PLUG Q/ZB286-ZG3/4"-Q235A	Y	1
4	4011000084	螺栓GB5783-M10*30EpZn-8.8	BOLT GB5783-M10*30EpZn-8.8	N	8
5	4015000025	垫圈GB93-10-65Mn	WASHER GB93-10-65Mn	N	8
6	29070010391	太阳轮	GEAR-SUN	Y	1
7	29070010401	轮边端盖	RIM COVER GB308-17.462-GCr15	Y	1
8	4090000006	钢球GB308-17.462-GCr15	STEEL BALL GB308-17.462-GCr15	Y	1
9	29070009161	定位块	LOCK BLOCK	Y	1
10	4015000257	挡圈GB894.1-38-65Mn	CHECK RING GB894.1-38-65Mn	N	1
11	29070010411	行星齿轮	PLANET GEAR	Y	3
12	4090000007	钢球GB308-8-GCr15	STEEL BALL GB308-8-GCr15	N	3
13	29070010421	行星齿轮轴	PLANET PINION SHAFT	Y	3
14	3050900042	挡环	RING SNAP	Y	6
15	4090000001	滚针GB309-4*35-GCr15	ROLLER GB309-4*35-GCr15	Y	84
16	29070010881	垫片	SPECER	Y	6
17	29070010441	轮辋螺栓	RIM BOLT	Y	8
18	3050900045	O形圈	O-RING	Y	1

轮边减速器总成 FINAL DRIVE ASSEMBLY



序号 Key	零件代号 Part No.	名称 Description	是否配件 Spare parts Y/N	数量 Qty	备注 Remarks
19	29070010461	轮毂 HUB WHEEL	Y	1	
20	4013000136	螺母GB6171-M18*1.5EpZn-8 NUT GB6171-M18*1.5EpZn-8	N	8	
21	4015000029	垫圈GB93-18-65Mn WASHER GB93-18-65Mn	N	8	
22	29070010481	制动盘 BRAKE DISC	Y	1	
23	4011000568	螺栓GB5786-M12*1.25*40EpZn-10.9 BOLT GB5786-M12*1.25*40EpZn-10.9	N	16	
24	29070010131	垫圈 WASHER	N	16	
25	4030000559	密封圈GB9877.1-FB110*140*12D SEAL RING GB9877.1-FB110*140*12D	Y	1	
26	29070010491	轴承隔套 BEARING SLEEVE	Y	1	
27	29070010501	半轴 DIFFERENTIAL AXLE	Y	1	
28	4021000135	滚动轴承GB297-32017 BEARING GB297-32017	Y	1	
29	4021000036	滚动轴承GB297-32216 BEARING GB297-32216	Y	1	
30	4014000118	螺钉GB70-M8*1*20-8.8 SCREW GB70-M8*1*20-8.8	N	2	
31	29070010511	圆螺母 ROUND NUT	Y	1	

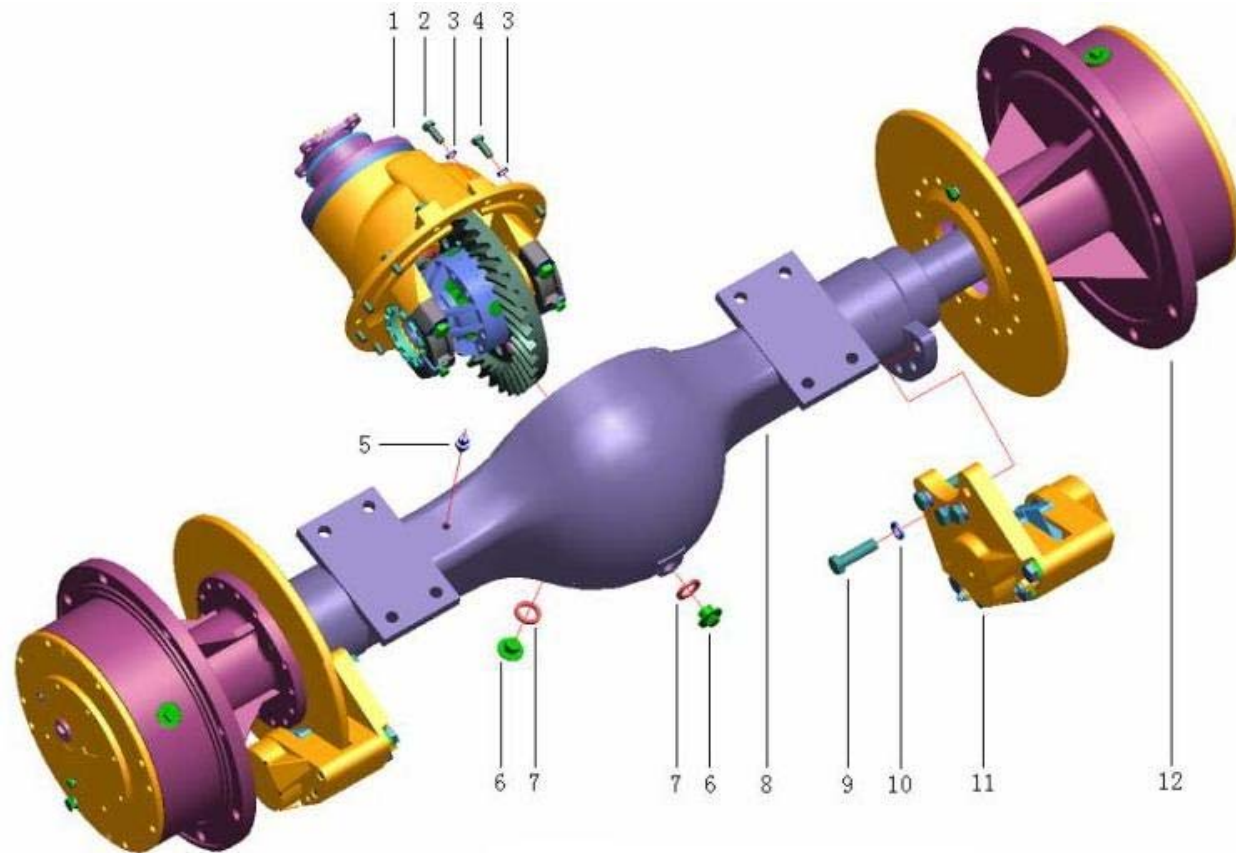
轮胎 (520101) TIRE (520101)



序号 Key	零件代号 Part No.	名称 Description	是否配件 Spare parts Y/N	数量 Qty	备注 Remarks
1	2050900108002	轮胎外胎	TIRE SHOE	Y	1
2	2050900108001	918轮胎内胎GB2980-16/70-20	918 TIRE INNER TUBE GB2980-16/70-20	Y	1

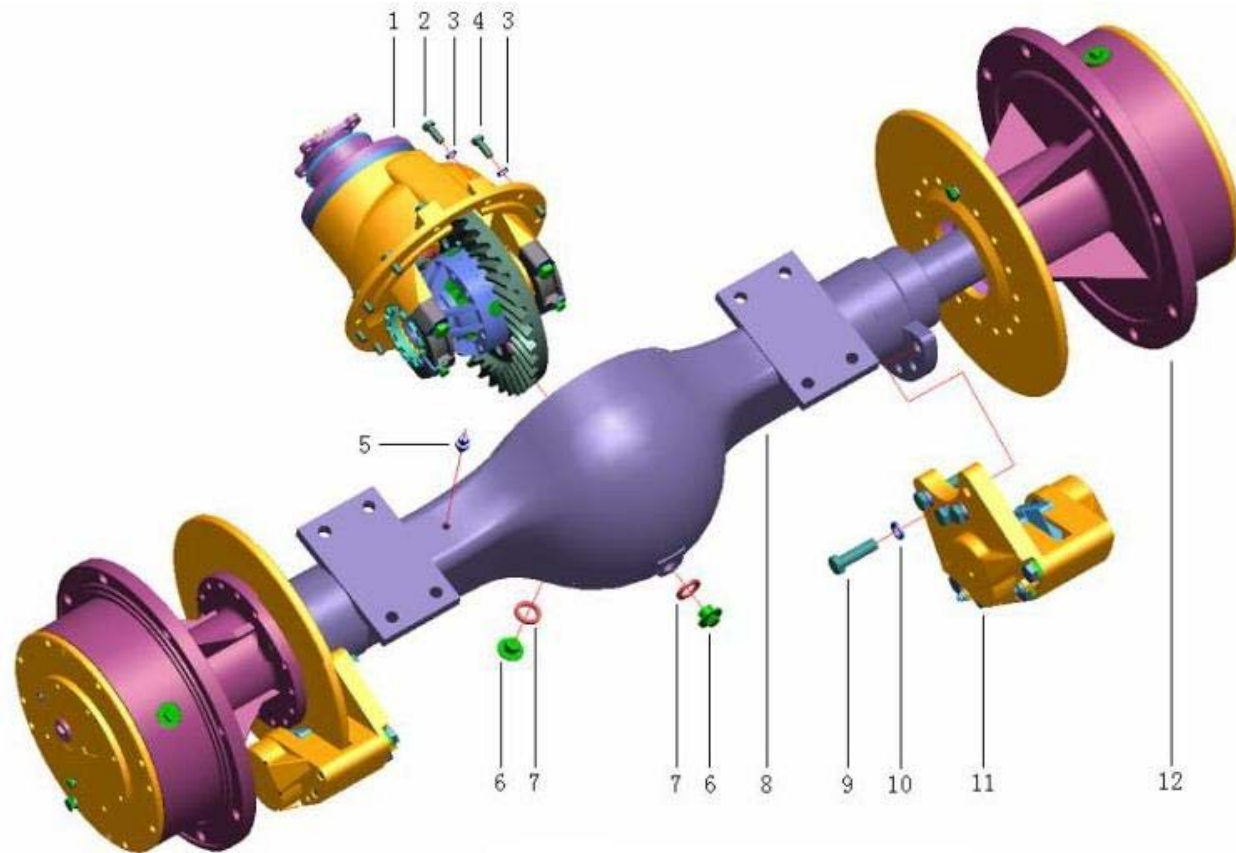


驱动桥总成(前桥) DRIVE AXLE ASSEMBLY (FRONT AXLE)



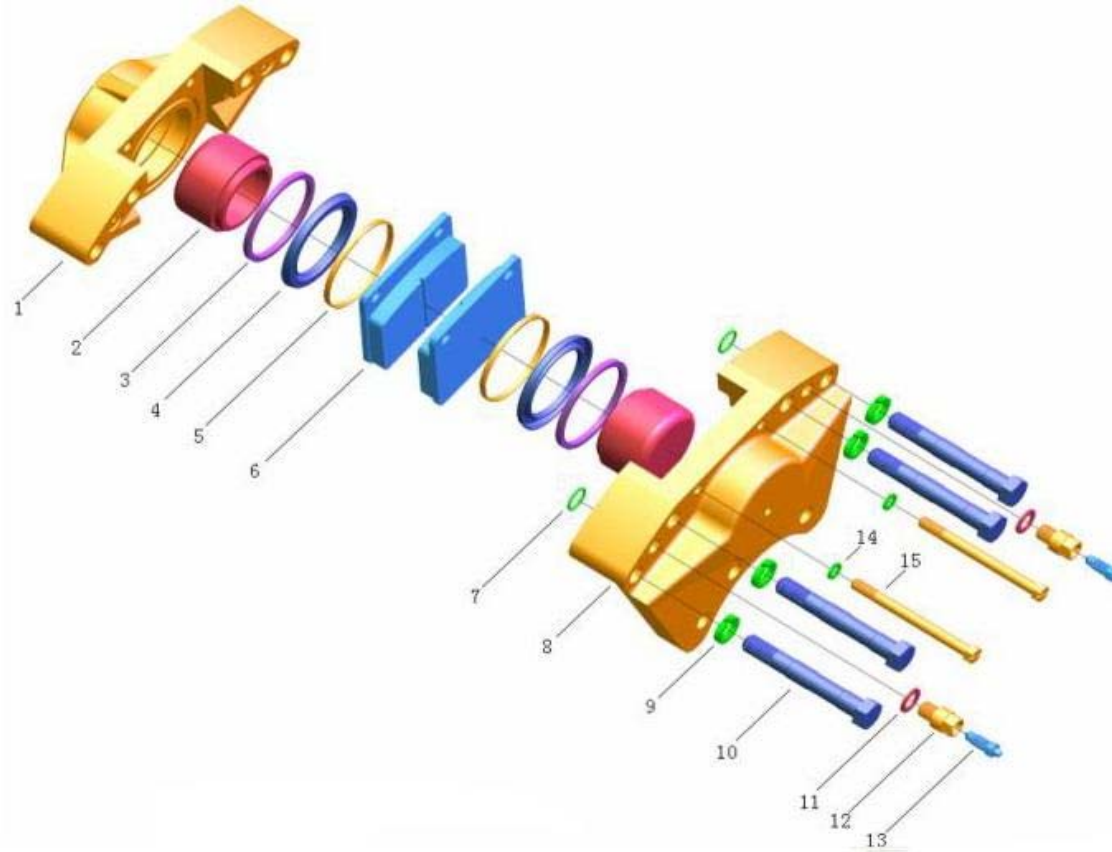
序号 Key	零件代号 Part No.	名称 Description	是否配件 Spare parts Y/N	数量 Qty	备注 Remarks
1	28809028560071	前主减速器总成 ZL15F.2.5A	FRONT FINAL DRIVE ASSEMBLY ZL15F.2.5A	Y	1
2	4011000845	螺栓GB5782-M10*45EpZn-10.9	BOLT GB5782-M10*45EpZn-10.9	N	4
3	4015000025	垫圈GB93-10-65Mn	WASHER GB93-10-65Mn	N	12
4	4012000022	螺栓GB5783-M10*25-10.9	BOLT GB5783-M10*25-10.9	N	8
5	28809028560081	通气塞总成 ZL15F.2.3-4	EXHAUST PLUG ASSEMBLY ZL15F.2.3-4	Y	1
6	28809028560091	螺塞 ZL15F.2-10A	PLUG SCREW ZL15F.2-10A	Y	2
7	4015000090	垫圈JB982-20	WASHER JB982-20	N	2
8	28809028560101	前桥焊合 ZL15G.2.3A	FRONT AXLE WELD ZL15G.2.3A	Y	1
9	4011000842	螺栓GB5786-M16*1.5*55EpZn-10.9	BOLT GB5786-M16*1.5*55EpZn-10.9	N	8
10	4015000098	垫圈GB93-16-65Mn	WASHER GB93-16-65Mn	N	8
11	28809028560111	钳盘制动器 ZL15.5.0	DISC BRAKE ASSEMBLY ZL15.5.0	Y	2
12	28809028560121	轮边减速总成	WHEEL-END REDUCTOR ASSEMBLY	N	2

驱动桥总成(后桥) DRIVE AXLE ASSEMBLY (REAR AXLE)



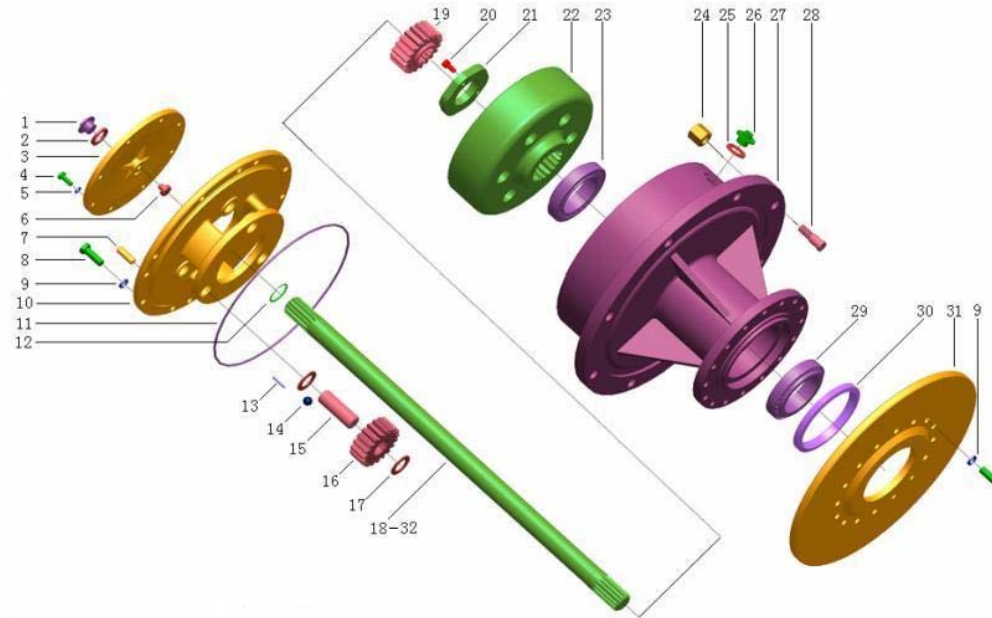
序号 Key	零件代号 Part No.	名称 Description	是否配件 Spare parts Y/N	数量 Qty	备注 Remarks
1	28809028560301	后主减速器总成 ZL15F.2.5B	Y	1	
2	4011000845	螺栓GB5782-M10*45EpZn-10.9	N	4	
3	4015000025	垫圈GB93-10-65Mn	N	12	
4	4012000022	螺栓GB5783-M10*25-10.9	N	8	
5	28809028560081	通气塞总成 ZL15F.2.3-4	Y	1	
6	28809028560091	螺塞 ZL15F.2-10A	Y	2	
7	4015000090	垫圈JB982-20	N	2	
8	28809028560291	后桥焊合 ZL15F.2.3B	Y	1	
9	4011000842	螺栓GB5786-M16*1.5*55EpZn-10.9	N	8	
10	4015000098	垫圈GB93-16-65Mn	N	8	
11	28809028560111	钳盘制动器 ZL15.5.0	Y	2	
12	28809028560121	轮边减速总成	N	2	

钳盘制动器总成 DISC BRAKE ASSEMBLY



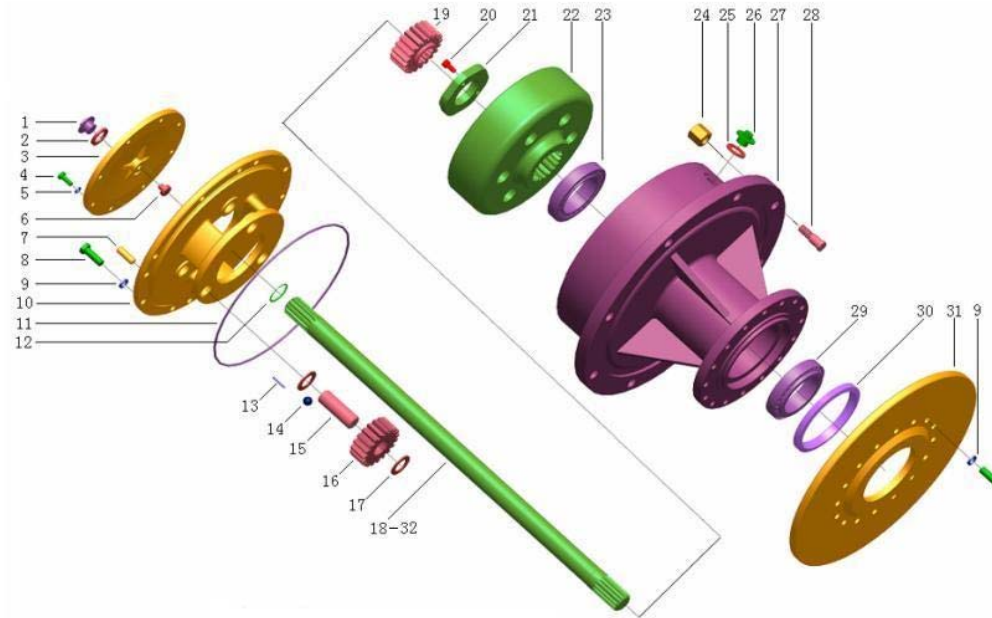
序号 Key	零件代号 Part No.	名称 Description	是否配件 Spare parts Y/N	数量 Qty	备注 Remarks
1	7200000198	外钳ZL15.5-1	EXTERNAL PLIERS ZL15.5-1	N	1
2	7200000182	活塞408113A	PISTON 408113A	Y	2
3	7200000184	矩形密封圈408112	SEALING RING 408112	Y	2
4	7200000176	防尘罩408110	COVER ASSY, DUST 408110	Y	2
5	7200000185	卡圈408111	CLOSING RING 408111	Y	2
6	7200000208	制动片ZL15.5.1	BRAKE SHOE ZL15.5.1	Y	2
7	4030000011	O形圈GB1235-20*2.4	O-RING GB1235-20*2.4	Y	2
8	7200000192	内钳ZL15.5-2	INTERNAL PLIERS ZL15.5-2	Y	1
9	4015000029	垫圈GB93-18-65Mn	WASHER GB93-18-65Mn	N	4
10	7200000187	螺栓ZL15.5-3	BOLT ZL15.5-3	Y	4
11	7200000171	垫圈408124	WASHER 408124	Y	2
12	7200000183	接头408104	JOINT 408104	Y	2
13	7200000179	放气嘴408103	VENT NOZZLE SEAT 408103	Y	2
14	4015000025	垫圈GB93-10-65Mn	WASHER GB93-10-65Mn	N	2
15	7200000189	螺栓销408114	BOLT PIN 408114	Y	2

轮边总成（前桥） WHEEL-END REDUCTOR ASSEMBLY (FRONT AXLE)



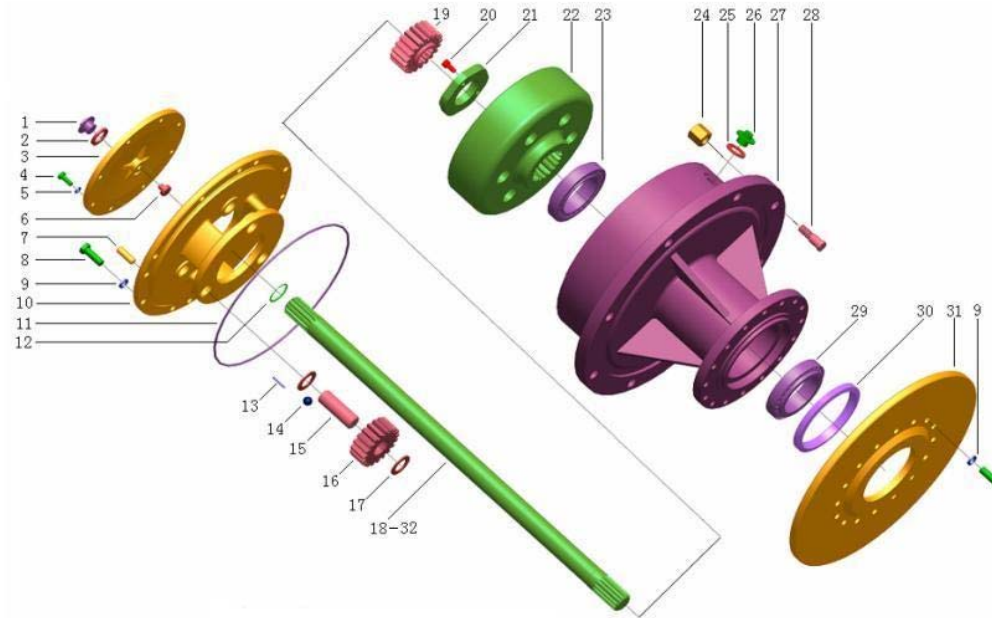
序号 Key	零件代号 Part No.	名称 Description	是否配件 Spare parts Y/N	数量 Qty	备注 Remarks
1	28809028560351	螺塞M16*1.5 ZL10.4AB-69	Y	2	
2	4015000141	垫圈JB982-16	N	2	
3	7200000181	盖ZL15F.2-6	Y	2	
4	4011000754	螺栓GB5783-M8*20EpZn-10.9	N	16	
5	4015000036	垫圈GB93-8-65Mn	N	16	
6	28809028560241	挡销ZL15F.2-4	Y	2	
7	4016000262	销GB119.2-12*32	N	4	
8	4011000124	螺栓GB5786-M12*1.25*35EpZn-10.9	N	16	
9	4015000026	垫圈GB93-12-65Mn	N	16	
10	7200000201	行星架ZL15F.2.2-4	Y	2	
11	7200000159	O形圈305*3.5 ZL15F.2-7	Y	2	
12	4015000020	挡圈GB894.1-35-65Mn	N	2	
13	4090000002	滚针GB309-3*29.8-GCr15	Y	174	
14	4090000126	钢球GB308-5-GCr15	N	6	
15	7200000204	行星轮轴ZL15F.2.2-2	Y	6	
16	7200000202	行星轮ZL15F.2.2-1	Y	6	
17	7200000203	行星轮挡圈ZL15F.2.2-3	Y	12	
18	28809028560191	长半轴Φ35*813.8 ZL15F.2-3A	Y	1	

轮边总成（前桥） WHEEL-END REDUCTOR ASSEMBLY (FRONT AXLE)



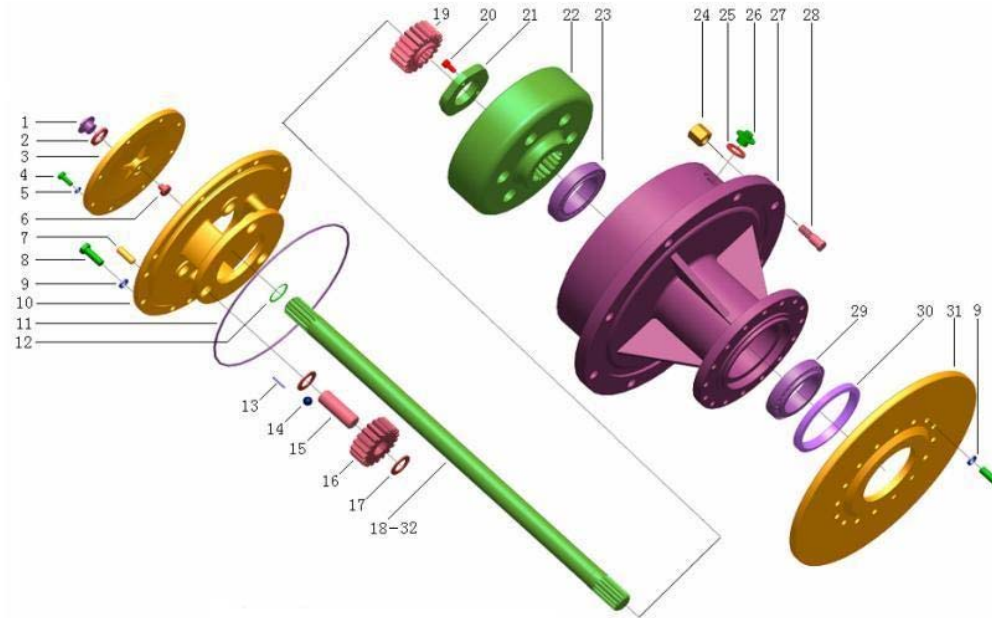
序号 Key	零件代号 Part No.	名称 Description	是否配件 Spare parts Y/N	数量 Qty	备注 Remarks
19	7200000195	太阳轮ZL15F.2-5	Y	2	
20	4014000033	螺钉GB70.1-M8*16EpZn-8.8	N	2	
21	28809028560391	锁紧螺母M56*2 ZL15G.2-20	Y	2	
22	28809028560211	齿圈Z=58 ZL15G.2.1-1	Y	2	
23	4021000208	滚动轴承GB297-32014	Y	2	
24	28809028560371	球螺母（右）M18*1.5 ZL15F.2-17A	Y	8	
25	4015000122	垫圈JB982-24	N	2	
26	28809028560361	螺塞M24*1.5 ZL15F.2-14A	Y	2	
27	28809028560331	轮毂ZL15G.2-8	Y	2	
28	28809028560341	轮辋螺栓（右）M18*1.5 ZL15F.2-16DA	Y	8	
29	4021000135	滚动轴承GB297-32017	Y	2	
30	7200000205	油封HG4-692-PG115*140*14	Y	2	
31	7200000207	制动盘ZL15 II .03.04.017	Y	2	
32	28809028560261	短半轴 Φ35*763.8 ZL15F.2-3B	Y	1	

轮边总成（后桥） WHEEL-END REDUCTOR ASSEMBLY (REAR AXLE)



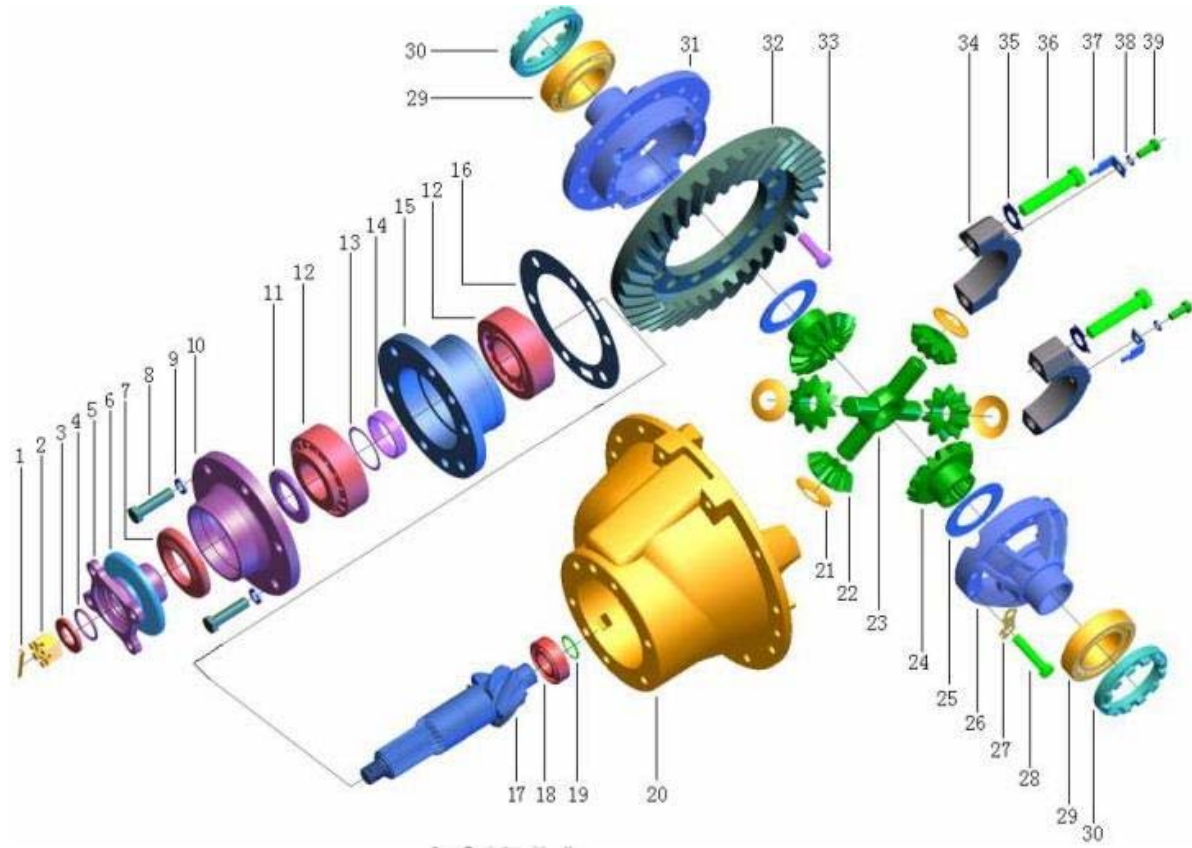
序号 Key	零件代号 Part No.	名称 Description	是否配件 Spare parts Y/N	数量 Qty	备注 Remarks
1	28809028560351	螺塞M16*1.5 ZL10.4AB-69	PLUG SCREW M16*1.5 ZL10.4AB-69	Y	2
2	4015000141	垫圈JB982-16	WASHER JB982-16	N	2
3	7200000181	盖ZL15F.2-6	COVER ZL15F.2-6	Y	2
4	4011000754	螺栓GB5783-M8*20EpZn-10.9	BOLT GB5783-M8*20EpZn-10.9	N	16
5	4015000036	垫圈GB93-8-65Mn	WASHER GB93-8-65Mn	N	16
6	28809028560241	挡销ZL15F.2-4	PIN ZL15F.2-4	Y	2
7	4016000262	销GB119.2-12*32	PIN GB119.2-12*32	N	4
8	4011000124	螺栓GB5786-M12*1.25*35EpZn-10.9	BOLT GB5786-M12*1.25*35EpZn-10.9	N	16
9	4015000026	垫圈GB93-12-65Mn	WASHER GB93-12-65Mn	N	16
10	7200000201	行星架ZL15F.2.2-4	PLANET CARRIER ZL15F.2.2-4	Y	2
11	7200000159	O形圈305*3.5 ZL15F.2-7	O-RING 305*3.5 ZL15F.2-7	Y	2
12	4015000020	挡圈GB894.1-35-65Mn	RETAINER RING GB894.1-35-65Mn	N	2
13	4090000002	滚针GB309-3*29.8-GCr15	ROLLING NEEDLE GB309-3*29.8-GCr15	Y	174
14	4090000126	钢球GB308-5-GCr15	STEEL BALL GB308-5-GCr15	N	6
15	7200000204	行星轮轴ZL15F.2.2-2	PLANET GEAR SHAFT ZL15F.2.2-2	Y	6
16	7200000202	行星轮ZL15F.2.2-1	PLANET ZL15F.2.2-1	Y	6
17	7200000203	行星轮挡圈ZL15F.2.2-3	PLANET RETAINER RING ZL15F.2.2-3	Y	12
18	28809028560191	长半轴Φ35*813.8 ZL15F.2-3A	LONG AXLE SHAFT Φ35*813.8 ZL15F.2-3A	Y	1

轮边总成（后桥） WHEEL-END REDUCTOR ASSEMBLY (REAR AXLE)



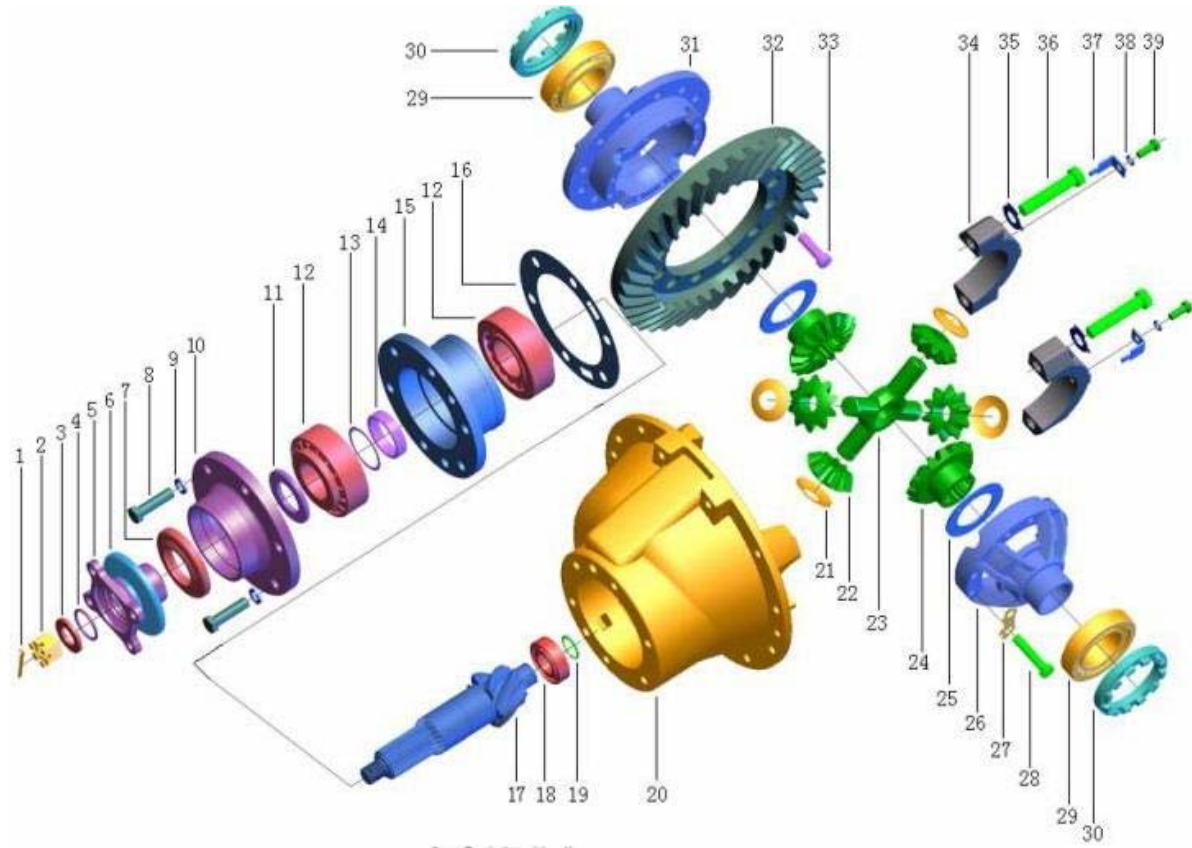
序号 Key	零件代号 Part No.	名称 Description	是否配件 Spare parts Y/N	数量 Qty	备注 Remarks
19	7200000195	太阳轮ZL15F.2-5	GEAR-SUN ZL15F.2-5	Y	2
20	4014000033	螺钉GB70.1-M8*16EpZn-8.8	BOLT GB70.1-M8*16EpZn-8.8	N	2
21	28809028560501	锁紧螺母M56*2 ZL15F.2-20	LOCKNUT M56*2 ZL15F.2-20	Y	2
22	28809028560201	齿圈Z=58 ZL15F.2.1-1B	RING GEAR Z=58 ZL15F.2.1-1B	Y	2
23	4021000208	滚动轴承GB297-32014	BEARING GB297-32014	Y	2
24	28809028560371	球螺母（右）M18*1.5 ZL15F.2-17A	BALL NUT (RIGHT) M18*1.5 ZL15F.2-17A	Y	8
25	4015000122	垫圈JB982-24	WASHER JB982-24	N	2
26	28809028560361	螺塞M24*1.5 ZL15F.2-14A	PLUG SCREW M24*1.5 ZL15F.2-14A	Y	2
27	28809028560321	轮毂ZL15F.2-8D	HUB ZL15F.2-8D	Y	2
28	28809028560341	轮辋螺栓（右）M18*1.5 ZL15F.2-16DA	RIM BOLT (RIGHT)M18*1.5 ZL15F.2-16DA	Y	8
29	4021000209	滚动轴承GB297-32015	BERAING GB297-32015	Y	2
30	7200000205	油封HG4-692-PG115*140*14	SEAL HG4-692-PG115*140*14	Y	2
31	7200000207	制动盘ZL15 II .03.04.017	BRAKE DISC ZL15 II .03.04.017	Y	2
32	28809028560261	短半轴 Φ35*763.8 ZL15F.2-3B	SHORT AXLE SHAFT Φ35*763.8 ZL15F.2-3B	Y	1

主减速器总成（前桥） FINAL DRIVE ASSEMBLY (FRONT AXLE)



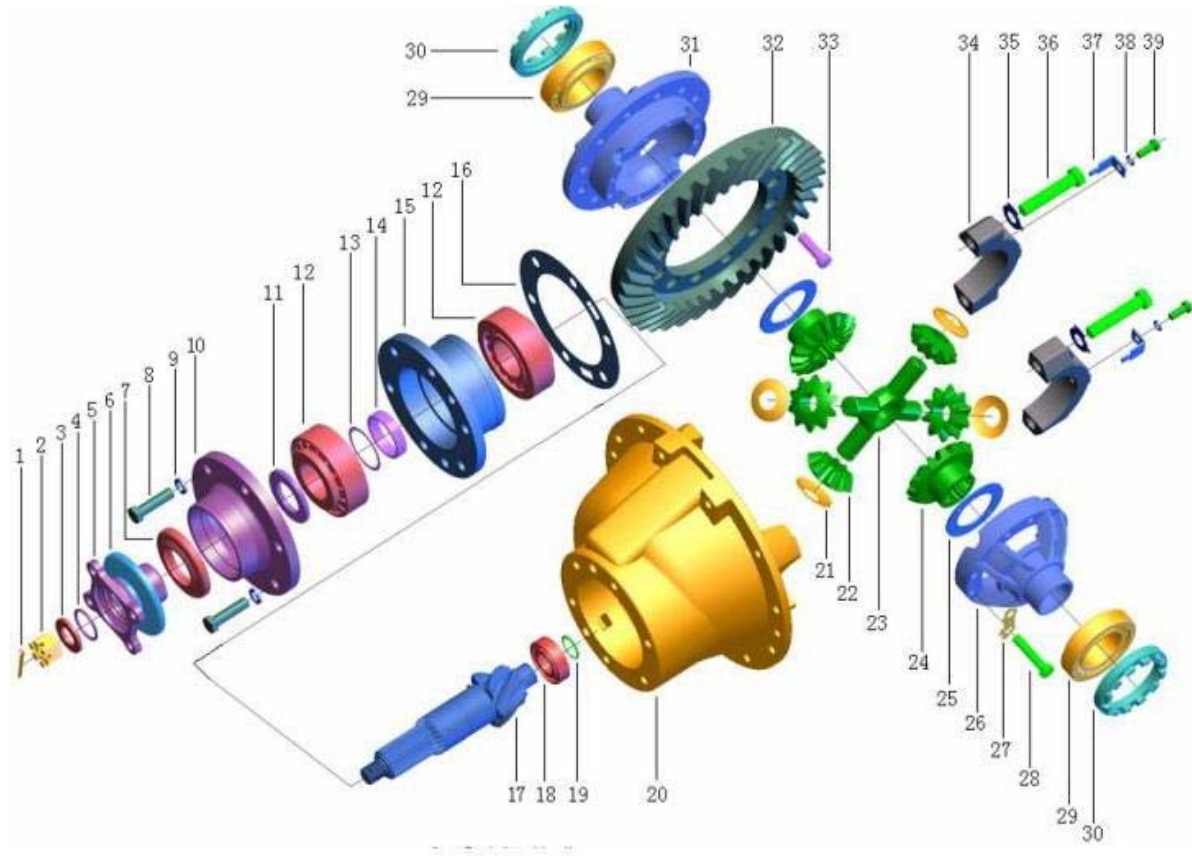
序号 Key	零件代号 Part No.	名称 Description	是否配件 Spare parts Y/N	数量 Qty	备注 Remarks
1	4016000261	销GB91-3.2*40EpZn-Q235A	PIN GB91-3.2*40EpZn-Q235A	N	1
2	28809028560311	开槽螺母M20*1.5 ZL15F.2.5.1-14	NOTCH NUT M20*1.5 ZL15F.2.5.1-14	Y	1
3	7200000172	垫圈ZL15F.2.5.1-12	WASHER ZL15F.2.5.1-12	Y	1
4	28809028560131	O形圈36*4.5 ZL15F.2.5.1-13	O-RING 36*4.5 ZL15F.2.5.1-13	Y	1
5	28809028560381	输入法兰ZL15F.2.5.1-8Q	INPUT FLANGE ZL15F.2.5.1-8Q	Y	1
6	28809028560271	防尘罩ZL15F.2.5.1-11	DUST SHROUD ZL15F.2.5.1-11	Y	1
7	28809028560441	油封FB 47*84*12.5 ZL15F.2.5.1-10	TAPER DRIVE GEAR SEAL FB 47*84*12.5 ZL15F.2.5.1-10	Y	1
8	4011000843	螺栓GB5786-M12*1.25*45EpZn-10.9	BOLT GB5786-M12*1.25*45EpZn-10.9	N	6
9	4015000026	垫圈GB93-12-65Mn	WASHER GB93-12-65Mn	N	6
10	28809028560461	轴承盖ZL15F.2.5.1-7D	BEARING COVER ZL15F.2.5.1-7D	Y	1
11	28809028560451	止推垫圈φ65*φ37*6 ZL15F.2.5.1-6	THRUST WASHER φ65*φ37*6 ZL15F.2.5.1-6	Y	1
12	7200000138	轴承GB297-32309	BEARING GB297-32309	Y	2
13	7200000209	轴承调整垫片ZL15F.2.5.1-4	WASHER ZL15F.2.5.1-4	Y	1
14	7200000211	轴承隔套ZL15F.2.5.1-3	BEARING ISOLATED BUSHING 轴承隔套ZL15F.2.5.1-3	Y	1
15	28809028560471	轴承套ZL15F.2.5.1-2D	BEARING SEAT ZL15F.2.5.1-2D	Y	1
16	7200000173	调整垫片ZL15F.2.5-1	WAHSER ZL15F.2.5-1	Y	1
17	28809028560511	主动锥齿轮（左）Z=6 ZL15F.2.5.1-1A	DRIVE BEVEL GEAR (LEFT) Z=6 ZL15F.2.5.1-1A	N	1
18	4021000206	滚动轴承GB283-NF205	BEARING GB283-NF205	Y	1

主减速器总成（前桥） FINAL DRIVE ASSEMBLY (FRONT AXLE)



序号 Key	零件代号 Part No.	名称 Description	是否配件 Spare parts Y/N	数量 Qty	备注 Remarks
19	4015000130	挡圈GB894.1-25-65Mn	RING SNAP GB894.1-25-65Mn	N	1
20	28809028560491	主减壳ZL15F.2.5-8A	FINAL DRIVE HOUSING ZL15F.2.5-8A	Y	1
21	28809028560421	行星齿轮垫ZL15F.2.5-12	PLANET GEAR WASHER ZL15F.2.5-12	Y	4
22	28809028560411	行星齿轮Z=10 ZL15F.2.5-13	PLANET GEAR Z=10 ZL15F.2.5-13	Y	4
23	28809028560431	行星齿轮轴ZL15F.2.5-11A	PLANET GEAR SHAFT ZL15F.2.5-11A	Y	1
24	28809028560141	半轴齿轮Z=16 ZL15F.2.5-14	AXLE SHAFT GEAR Z=16 ZL15F.2.5-14	Y	2
25	28809028560151	半轴齿轮垫ZL15F.2.5-15	AXLE SHAFT GEAR WASHER ZL15F.2.5-15	Y	2
26	28809028560171	差速器右壳ZL15F.2.5-10	DIFF. RIGHT CASE ZL15F.2.5-10	N	1
27	28809028560281	防松垫片ZL15F.2.5-17	LOCK PLATE ZL15F.2.5-17	Y	4
28	28809028560161	差速器壳螺栓M10*50 ZL15F.2.5-16	DIFF. CASE BOLT M10*50 ZL15F.2.5-16	Y	8
29	7200000139	轴承GB297-32210	BEARING GB297-32210	Y	2
30	7200000174	调整螺母ZL15F.2.5-9	AJUSTING NUT ZL15F.2.5-9	Y	2
31	28809028560181	差速器左壳ZL15F.2.5-3	DIFF. LEFT CASE ZL15F.2.5-3	N	1
32	28809028560221	从动锥齿轮（右）Z=35 ZL15F.2.5-7A	DRIVEN BEVEL GEAR (RIGHT)Z=35 ZL15F.2.5-7A	N	1
33	7200000190	铆钉ZL15F.2.5-4	RIVET ZL15F.2.5-4	Y	12
34	7200000166	差速器轴承盖ZL15F.2.5-2	DIFFERENTIAL MECHANISM BEARING CAP ZL15F.2.5-2	Y	2
35	28809028560401	锁片ZL80-06.5.2-7	LOCK PLATE ZL80-06.5.2-7	Y	4
36	4011000844	螺栓GB5785-M14*1.5*70-10.9	BOLT GB5785-M14*1.5*70-10.9	N	4

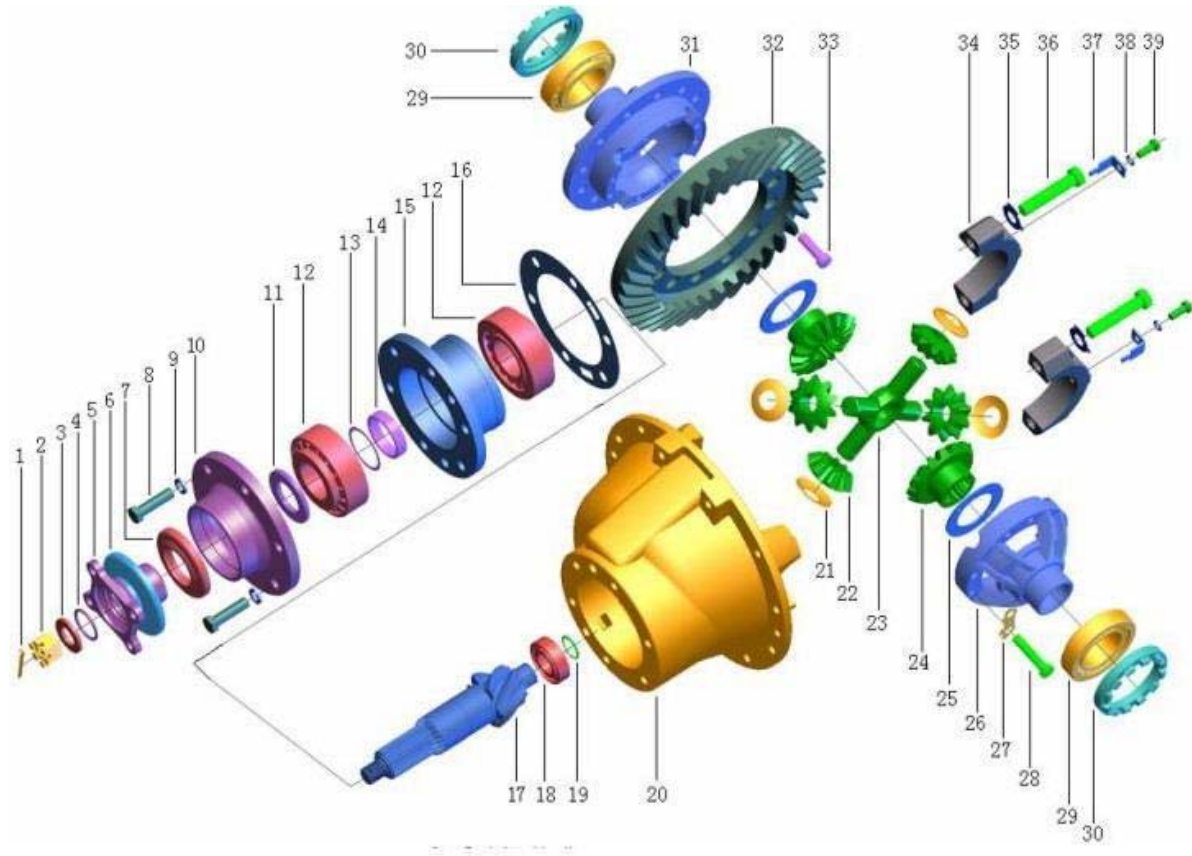
主减速器总成（前桥） FINAL DRIVE ASSEMBLY (FRONT AXLE)



序号 Key	零件代号 Part No.	名称 Description	是否配件 Spare parts Y/N	数量 Qty	备注 Remarks
37	28809028560251	调整螺母锁片ZL15F.2.5-18	ADJUST NUT LOCK PLATE ZL15F.2.5-18	Y	2
38	4015000036	垫圈GB93-8-65Mn	WASHER GB93-8-65Mn	N	2
39	4011000841	螺栓GB5783-M8*16-10.9	BOLT GB5783-M8*16-10.9	N	2

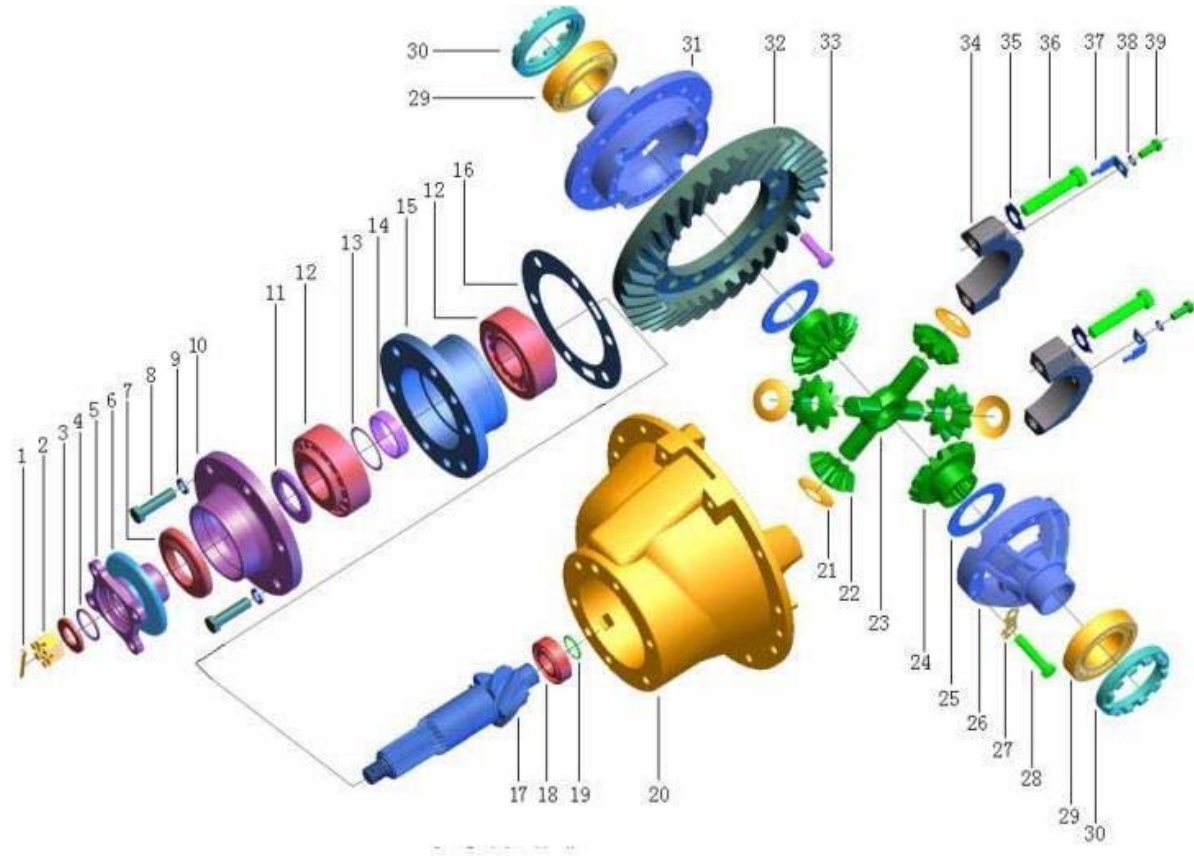


主减速器总成（后桥） FINAL DRIVE ASSEMBLY (REAR AXLE)



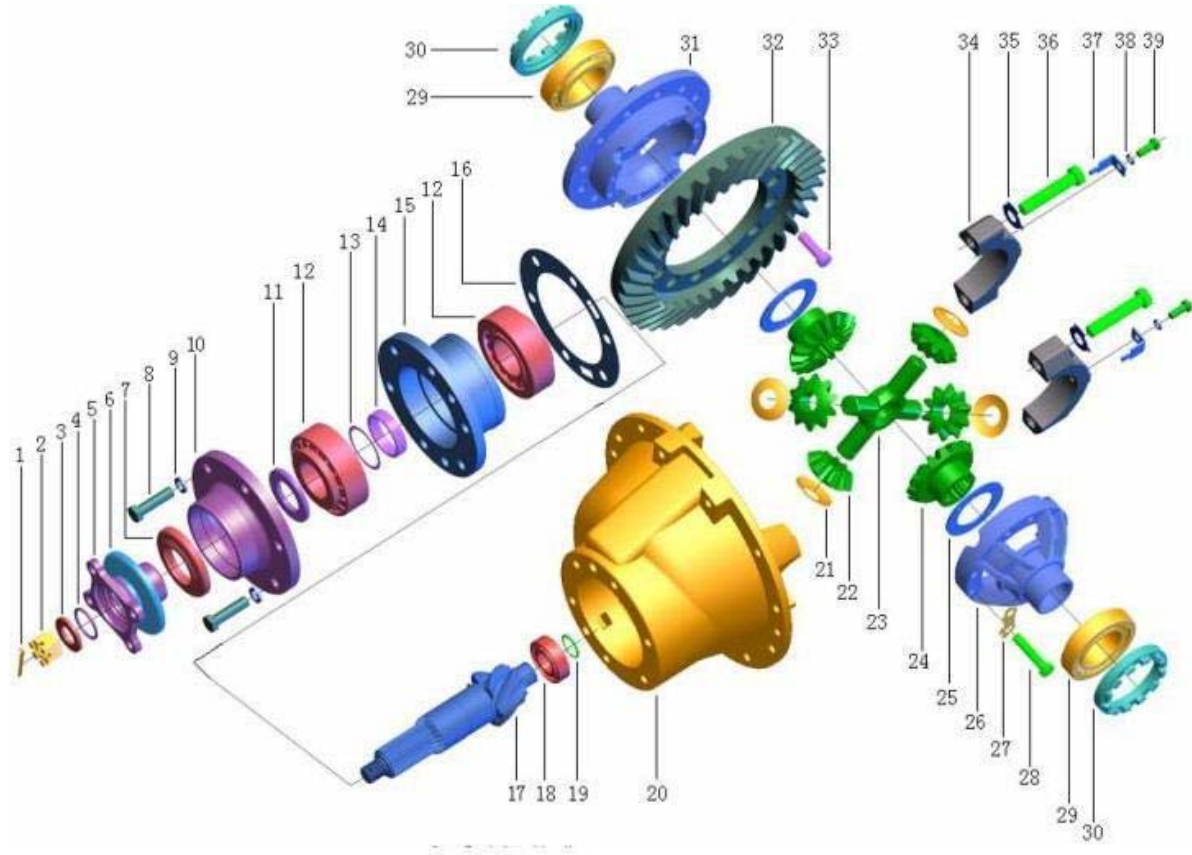
序号 Key	零件代号 Part No.	名称 Description	是否配件 Spare parts Y/N	数量 Qty	备注 Remarks
1	4016000261	销GB91-3.2*40EpZn-Q235A	PIN GB91-3.2*40EpZn-Q235A	N	1
2	28809028560311	开槽螺母M20*1.5 ZL15F.2.5.1-14	NOTCH NUT M20*1.5 ZL15F.2.5.1-14	Y	1
3	7200000172	垫圈ZL15F.2.5.1-12	WASHER ZL15F.2.5.1-12	Y	1
4	28809028560131	O形圈36*4.5 ZL15F.2.5.1-13	O-RING 36*4.5 ZL15F.2.5.1-13	Y	1
5	28809028560381	输入法兰ZL15F.2.5.1-8Q	INPUT FLANGE ZL15F.2.5.1-8Q	Y	1
6	28809028560271	防尘罩ZL15F.2.5.1-11	DUST SHROUD ZL15F.2.5.1-11	Y	1
7	28809028560441	油封FB 47*84*12.5 ZL15F.2.5.1-10	TAPER DRIVE GEAR SEAL FB 47*84*12.5 ZL15F.2.5.1-10	Y	1
8	4011000843	螺栓GB5786-M12*1.25*45EpZn-10.9	BOLT GB5786-M12*1.25*45EpZn-10.9	N	6
9	4015000026	垫圈GB93-12-65Mn	WASHER GB93-12-65Mn	N	6
10	28809028560461	轴承盖ZL15F.2.5.1-7D	BEARING COVER ZL15F.2.5.1-7D	Y	1
11	28809028560451	止推垫圈φ65*φ37*6 ZL15F.2.5.1-6	THRUST WASHER φ65*φ37*6 ZL15F.2.5.1-6	Y	1
12	7200000138	轴承GB297-32309	BEARING GB297-32309	Y	2
13	7200000209	轴承调整垫片ZL15F.2.5.1-4	WASHER ZL15F.2.5.1-4	Y	1
14	7200000211	轴承隔套ZL15F.2.5.1-3	BEARING ISOLATED BUSHING 轴承隔套ZL15F.2.5.1-3	Y	1
15	28809028560471	轴承套ZL15F.2.5.1-2D	BEARING SEAT ZL15F.2.5.1-2D	Y	1
16	7200000173	调整垫片ZL15F.2.5-1	WAHSER ZL15F.2.5-1	Y	1
17	28809028560481	主动锥齿轮（右）Z=6 ZL15F.2.5.1-1B	DRIVE BEVEL GEAR (RIGHT) Z=6 ZL15F.2.5.1-1B	N	1
18	4021000206	滚动轴承GB283-NF205	BEARING GB283-NF205	Y	1

主减速器总成（后桥） FINAL DRIVE ASSEMBLY (REAR AXLE)



序号 Key	零件代号 Part No.	名称 Description	是否配件 Spare parts Y/N	数量 Qty	备注 Remarks
19	4015000130	挡圈GB894.1-25-65Mn	RING SNAP GB894.1-25-65Mn	N	1
20	28809028560491	主减壳ZL15F.2.5-8A	FINAL DRIVE HOUSING ZL15F.2.5-8A	Y	1
21	28809028560421	行星齿轮垫ZL15F.2.5-12	PLANET GEAR WASHER ZL15F.2.5-12	Y	4
22	28809028560411	行星齿轮Z=10 ZL15F.2.5-13	PLANET GEAR Z=10 ZL15F.2.5-13	Y	4
23	28809028560431	行星齿轮轴ZL15F.2.5-11A	PLANET GEAR SHAFT ZL15F.2.5-11A	Y	1
24	28809028560141	半轴齿轮Z=16 ZL15F.2.5-14	AXLE SHAFT GEAR Z=16 ZL15F.2.5-14	Y	2
25	28809028560151	半轴齿轮垫ZL15F.2.5-15	AXLE SHAFT GEAR WASHER ZL15F.2.5-15	Y	2
26	28809028560171	差速器右壳ZL15F.2.5-10	DIFF. RIGHT CASE ZL15F.2.5-10	N	1
27	28809028560281	防松垫片ZL15F.2.5-17	LOCK PLATE ZL15F.2.5-17	Y	4
28	28809028560161	差速器壳螺栓M10*50 ZL15F.2.5-16	DIFF. CASE BOLT M10*50 ZL15F.2.5-16	Y	8
29	7200000139	轴承GB297-32210	BEARING GB297-32210	Y	2
30	7200000174	调整螺母ZL15F.2.5-9	AJUSTING NUT ZL15F.2.5-9	Y	2
31	28809028560181	差速器左壳ZL15F.2.5-3	DIFF. LEFT CASE ZL15F.2.5-3	N	1
32	28809028560231	从动锥齿轮（左）Z=35 ZL15F.2.5-7B	DRIVEN BEVEL GEAR (LEFT)Z=35 ZL15F.2.5-7B	N	1
33	7200000190	铆钉ZL15F.2.5-4	RIVET ZL15F.2.5-4	Y	12
34	7200000166	差速器轴承盖ZL15F.2.5-2	DIFFERENTIAL MECHANISM BEARING CAP ZL15F.2.5-2	Y	2
35	28809028560401	锁片ZL80-06.5.2-7	LOCK PLATE ZL80-06.5.2-7	Y	4
36	4011000844	螺栓GB5785-M14*1.5*70-10.9	BOLT GB5785-M14*1.5*70-10.9	N	4

主减速器总成（后桥） FINAL DRIVE ASSEMBLY (REAR AXLE)



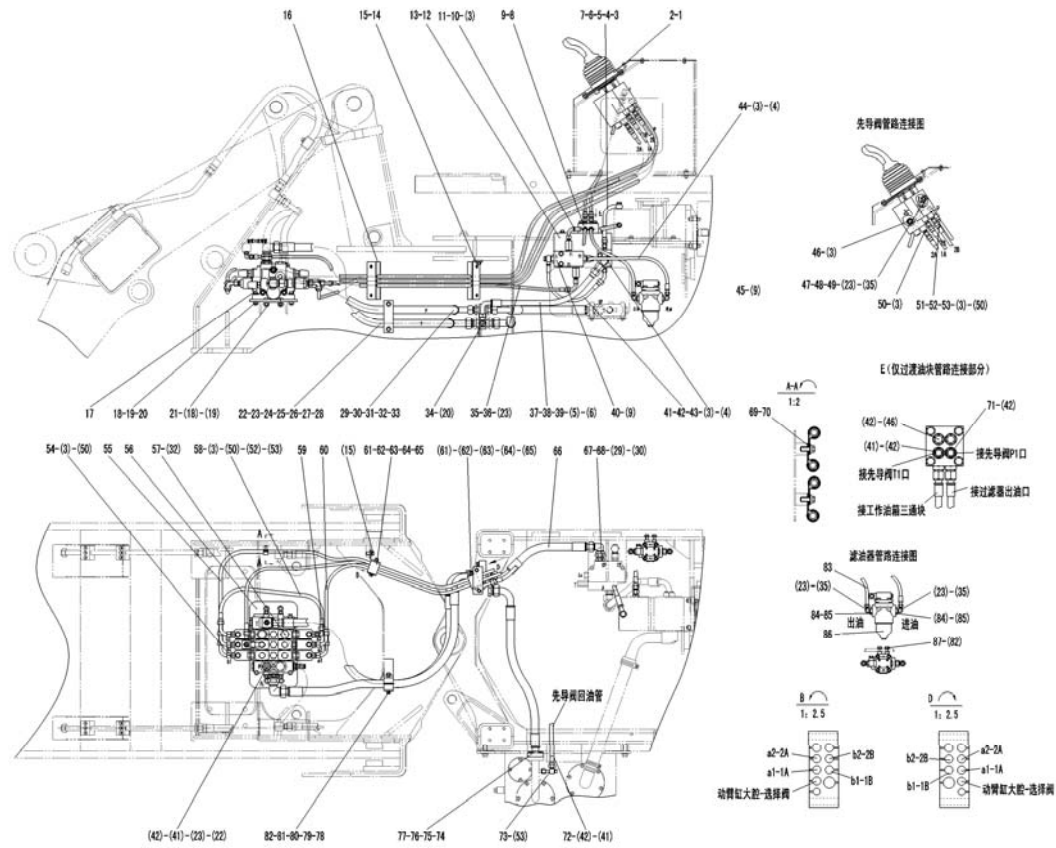
序号 Key	零件代号 Part No.	名称 Description	是否配件 Spare parts Y/N	数量 Qty	备注 Remarks	
37	28809028560251	调整螺母锁片ZL15F.2.5-18	ADJUST NUT LOCK PLATE ZL15F.2.5-18	Y	2	
38	4015000036	垫圈GB93-8-65Mn	WASHER GB93-8-65Mn	N	2	
39	4011000841	螺栓GB5783-M8*16-10.9	BOLT GB5783-M8*16-10.9	N	2	



F 工作装置液压系统
IMPLEMENT HYDRAULIC SYSTEM

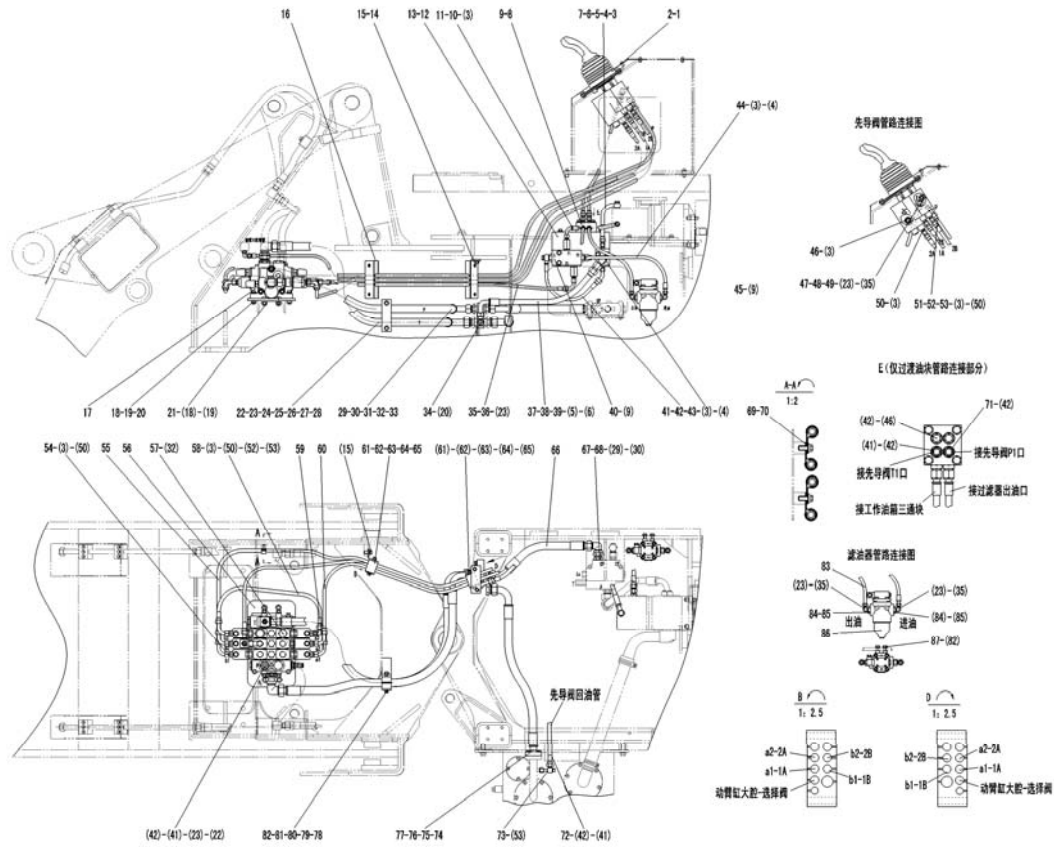
山东临工工程机械有限公司
SHANDONG LINGONG CONSTRUCTION MACHINERY CO.,LTD.

液压操纵总成 HYDRAULIC CONTROL ASSEMBLY



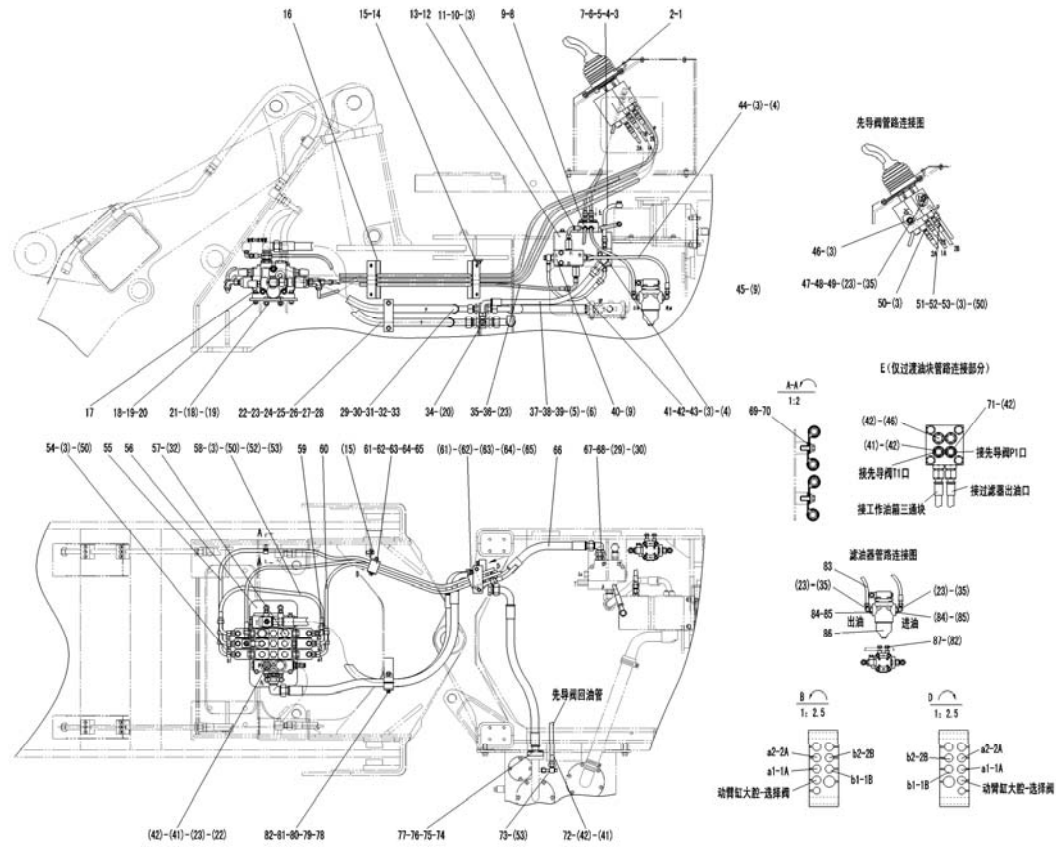
序号 Key	零件代号 Part No.	名称 Description	是否配件 Spare parts Y/N	数量 Qty	备注 Remarks
1	4120000370	先导阀总成DXS-00	Y	1	
2	4011000475	螺栓GB16674-M10*30EpZn-8.8	N	4	
3	29120014931	垫圈	Y	19	
4	4011000344	螺栓JB999-M14*1.5*32EpZn-35	N	3	
5	4041000095	直接头LGB120-02218	Y	2	
6	4041000768	O形圈LGB168-11524	Y	2	
7	29120010031	先导泵回油管	Y	1	
8	29120010301	过渡块	Y	1	
9	4011000279	螺栓GB16674-M10*60EpZn-8.8	N	8	
10	4041000580	软管LGB125-004040	Y	1	
11	29120007651	接头	Y	1	
12	29120010021	支架	Y	1	
13	4011000474	螺栓GB16674-M10*25EpZn-8.8	N	2	
14	29120015671	固定板	Y	1	
15	4011000137	螺栓GB16674-M12*20EpZn-8.8	N	4	
16	29120015661	固定板	Y	1	
17	4120001964	多路阀ZL20DYL-03	Y	1	
18	4015000168	垫圈GB97.1-12EpZn-300HV	N	8	

液压操纵总成 HYDRAULIC CONTROL ASSEMBLY



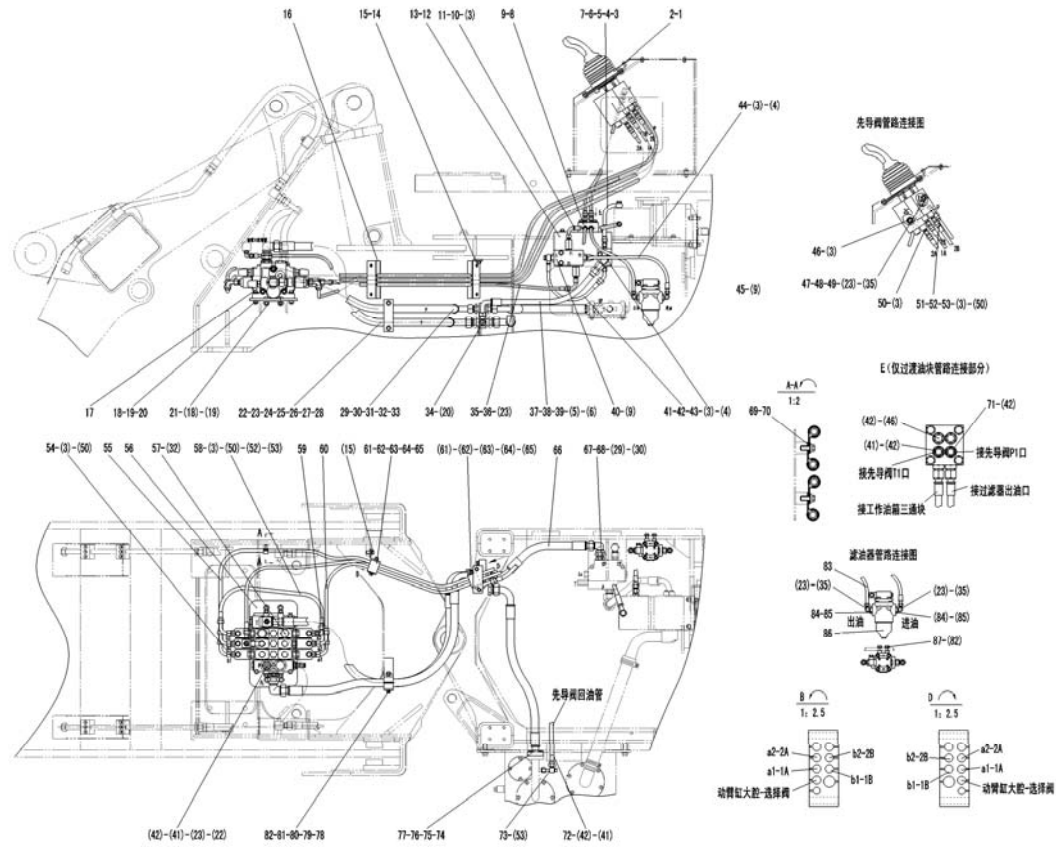
序号 Key	零件代号 Part No.	名称 Description	是否配件 Spare parts Y/N	数量 Qty	备注 Remarks
19	4013000011	螺母GB6170-M12EpZn-8	N	8	
20	4011000467	螺栓GB16674-M12*45EpZn-8.8	N	6	
21	4011000479	螺栓GB16674-M12*30EpZn-8.8	N	4	
22	4041000598	堵塞LGB142-01604	Y	2	
23	4030000240	O形圈GB3452.1-8.00*1.80G	Y	6	
24	4041000577	直接头LGB120-03633	Y	1	
25	4041000765	O形圈LGB168-12931	Y	1	
26	29120010461	组合直角接头	Y	1	
27	4030000504	O形圈GB3452.1-25.8*1.80G	Y	1	
28	4041000599	软管LGB165-014140	Y	1	
29	29120006551	组合直角接头	Y	2	
30	4030000501	O形圈GB3452.1-15.0*1.80G	Y	2	
31	4041000582	直接头LGB120-02630	Y	1	
32	4041000756	O形圈LGB168-02631	Y	3	
33	4041000511	软管LGB128-012112	Y	1	
34	29120009971	阀块	Y	1	
35	4041001023	组合接头LGB143-01608	Y	4	
36	29120015701	动臂大腔至选择阀胶管	Y	1	

液压操纵总成 HYDRAULIC CONTROL ASSEMBLY



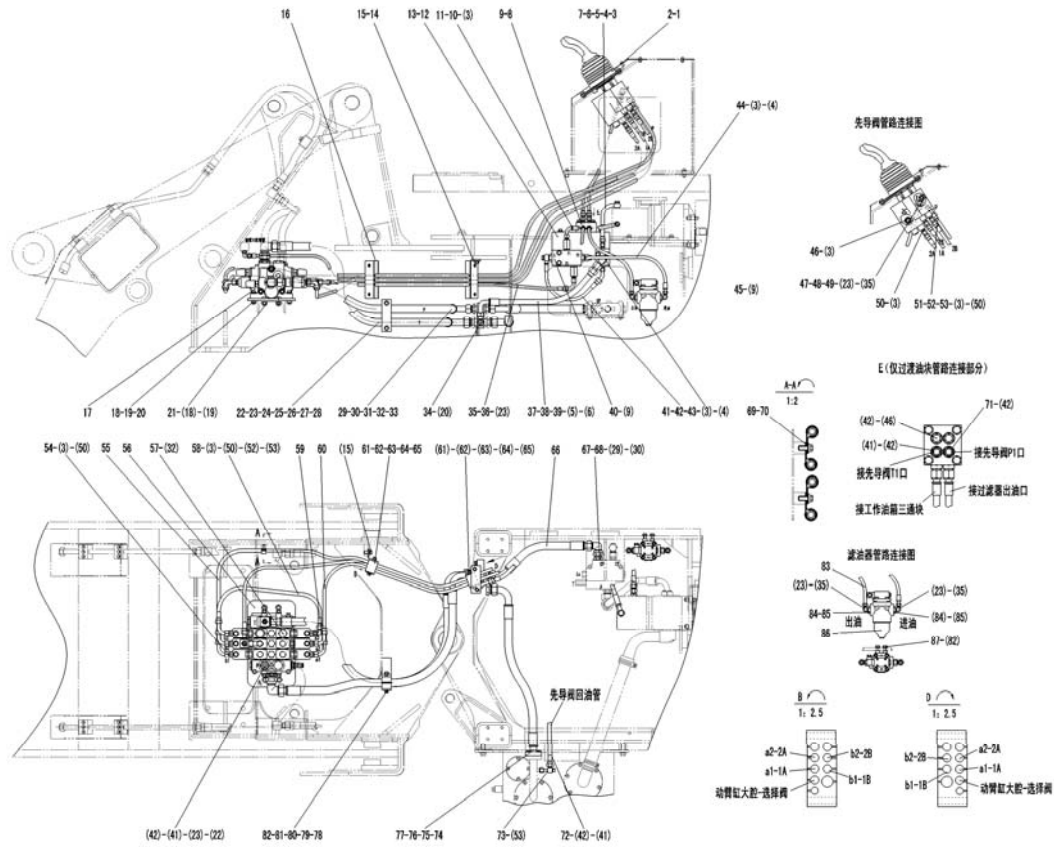
序号 Key	零件代号 Part No.	名称 Description	是否配件 Spare parts Y/N	数量 Qty	备注 Remarks
37	29120009991	组合直角接头	UNIT ANGLE COUPLING	Y	1
38	4030000242	O形圈GB3452.1-12.5*1.80G	O-RING GB3452.1-12.5*1.80G	Y	1
39	4041000601	软管LGB165-006060	SOFT TUBE LGB165-006060	Y	1
40	4120000448	压力选择阀SF8-C	PRESSURE SELECTION VALVE SF8-C	Y	1
41	4041000604	直接头LGB120-01614	JOINT LGB120-01614	Y	4
42	4041000767	O形圈LGB168-11124	O-RING LGB168-11124	Y	8
43	29120010001	选择阀泄油管	SPILL OIL PIPE OF SELECTOR VALVE	Y	1
44	29120010851	前部先导油管 (b2)	FRONT PILOT PTPE (b2)	Y	1
45	29120010011	回油块	RETURN BLOCK	Y	1
46	4041000774	螺塞LGB135-01422	PLUG LGB13501421	Y	3
47	4041001203	软管LGB124-004070	HOSE LGB124-004070	Y	1
48	4041000830	直接头LGB120-01618	JOINT LGB120-01618	Y	1
49	29120015221	垫圈	WASHER	Y	1
50	29120015401	接头	FITTING	Y	11
51	4041001202	软管LGB124-003058	HOSE LGB124-003058	Y	1
52	4041001047	组合接头LGB143-01406	CONNECTOR LGB143-01406	Y	2
53	4030000530	O形圈GB3452.1-6.00*1.80G	O-RING GB3452.1-6.00*1.80G	Y	3
54	29120015451	软管	SOFT TUBE	Y	1

液压操纵总成 HYDRAULIC CONTROL ASSEMBLY



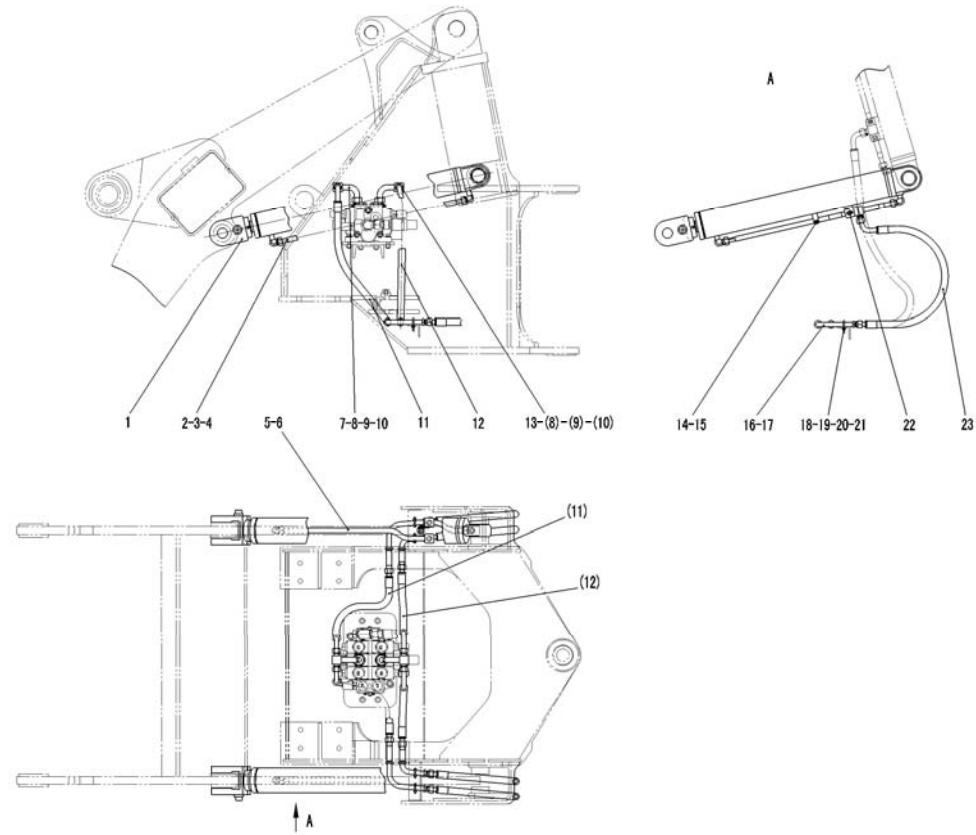
序号 Key	零件代号 Part No.	名称 Description	是否配件 Spare parts Y/N	数量 Qty	备注 Remarks
55	29120015471	软管 SOFT TUBE	Y	1	
56	29120009931	多路阀固定板 CLAMPING PLATE OF CONTROL VALVE	Y	1	
57	26130001471	螺塞 PLUG SCREW	Y	2	
58	4041001223	软管LGB125-003060 HOSE LGB125-003060	Y	1	
59	29120015441	软管 SOFT TUBE	Y	1	
60	29120015461	软管 SOFT TUBE	Y	1	
61	4011000169	螺栓GB16674-M8*70EpZn-8.8 BOLT GB16674-M8*70EpZn-8.8	N	4	
62	4013000033	螺母GB6170-M8EpZn-8 NUT GB6170-M8EpZn-8	N	4	
63	4015000072	垫圈GB97.1-8EpZn-300HV WASHER GB97.1-8EpZn-300HV	N	4	
64	29120015361	管夹 PIPE CLIP	Y	2	
65	29120015381	板 PLATE	Y	2	
66	4041000510	软管LGB129-012045 PIPE LGB129-012045	Y	1	
67	4041000796	直接头LGB120-02628 CONNECTOR LGB120-02628	Y	1	
68	4041000779	O形圈LGB168-12331 O-RING LGB168-12331	Y	1	
69	29120007671	管夹 CLAMP	Y	4	
70	4011000461	螺栓GB16674-M8*16EpZn-8.8 BOLT GB16674-M8*16EpZn-8.8	N	2	
71	4041000133	直接头LGB120-01414 JOINT LGB120-01414	Y	1	
72	4041000711	软管LGB124-004102 HOSE LGB124-004102	Y	1	

液压操纵总成 HYDRAULIC CONTROL ASSEMBLY



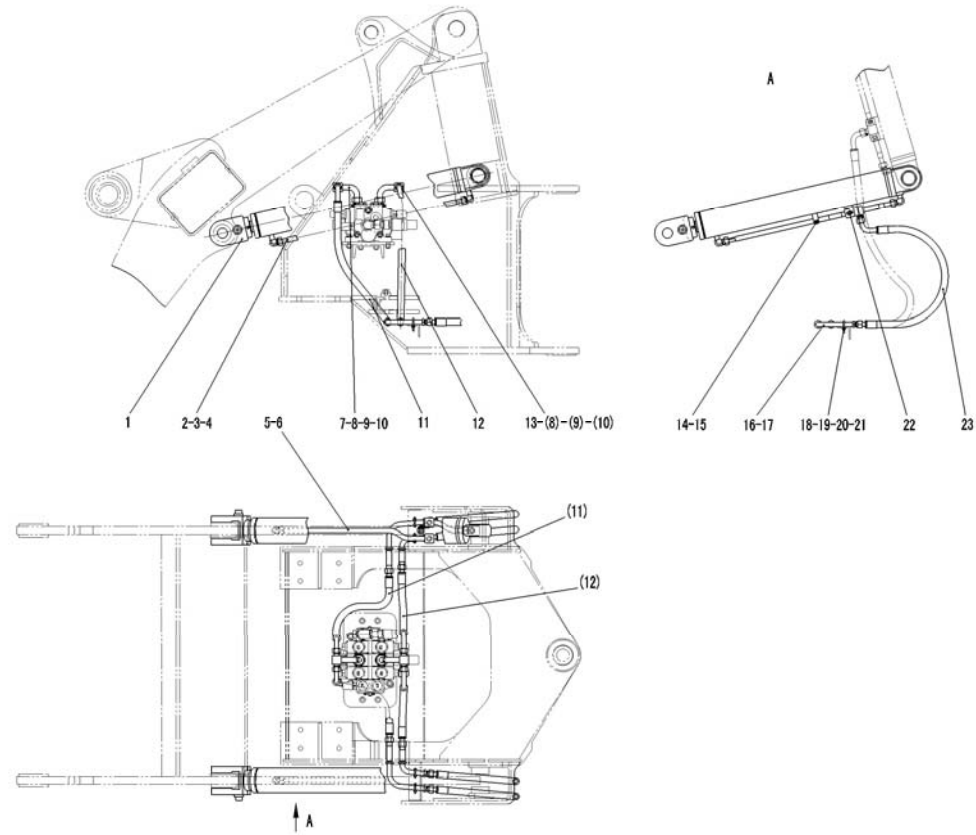
序号 Key	零件代号 Part No.	名称 Description	是否配件 Spare parts Y/N	数量 Qty	备注 Remarks
73	29120010061	三通接头	TEE PIPE COUPLING	Y	1
74	29120006591	回油胶管	RETURN PIPE	Y	1
75	29190008061	压盖	GLAND	Y	1
76	4030000279	O形圈GB3452.1-25.0*3.55G	O-RING GB3452.1-25*3.55G	Y	1
77	4011000481	螺栓GB16674-M8*30EpZn-8.8	BOLT GB16674-M8*30Ep.Zn-8.8	N	4
78	4011000314	螺栓GB16674-M10*80EpZn-8.8	BOLT GB16674-M10*80EpZn-8.8	N	2
79	29120006611	橡胶板	RUBBER PLATE	Y	2
80	29120006601	压板	PRESS PLATE	Y	1
81	4013000007	螺母GB6170-M10EpZn-8	NUT GB6170-M10EpZn-8	N	2
82	4015000162	垫圈GB97.1-10EpZn-300HV	WASHER GB97.1-10EpZn-300HV	N	4
83	4041000592	软管LGB125-004055	PIPE LGB125-004055	Y	1
84	29120015081	接头	JOINT	Y	2
85	4030000276	O形圈GB3452.1-32.5*2.65G	O-RING GB3452.1-32.5*2.65G	Y	2
86	4120001954	滤油器PLF-C30*10	STRAINER	Y	1
87	4011000082	螺栓GB5783-M10*25EpZn-8.8	BOLT GB5783-M10*25EpZn-8.8	N	2

举升缸总成 LIFT ARM CYLINDER ASSEMBLY



序号 Key	零件代号 Part No.	名称 Description	是否配件 Spare parts Y/N	数量 Qty	备注 Remarks	
1	4120001153	动臂油缸HSGL-90*50*640-965	LIFT CYLINDER HSGL-90*50*640-965	Y	2	
2	29130006521	左动臂缸小腔钢管	TUBE	Y	1	
3	29130006531	左动臂缸大腔钢管	TUBE	Y	1	
4	4030000242	O形圈GB3452.1-12.5*1.80G	O-RING GB3452.1-12.5*1.80G	Y	4	
5	29130006541	右动臂腔小腔钢管	TUBE	Y	1	
6	29130006551	右动臂缸大腔钢管	TUBE	Y	1	
7	29130008271	动臂联三通钢管	THREE-WAY OIL TUBE	Y	1	
8	4030000501	O形圈GB3452.1-15.0*1.80G	O-RINGGB3452.1-15.0*1.80G	Y	2	
9	4041000582	直接头LGB120-02630	CONNECTOR LGB120-02630	Y	2	
10	4041000685	O形圈LGB168-12631	O-RING LGB168-12631	Y	2	
11	4041000827	软管LGB128-406080	HOSE LGB128-406080	Y	2	
12	4041001375	软管LGB128-406070	HOSE LGB128-406070	Y	2	
13	29130006561	动臂联三通钢管	TUBE	Y	1	
14	29130009681	管夹	PIPE CLIP	Y	2	
15	4011000461	螺栓GB16674-M8*16EpZn-8.8	BOLT GB16674-M8*16EpZn-8.8	N	4	
16	29130006571	动臂联大腔三通钢管	TUBE	Y	2	
17	29130006581	动臂联小腔三通钢管	TUBE	Y	2	
18	4041001225	U形螺栓LGB159-11826	U-BOLT LGB159-11826	Y	4	

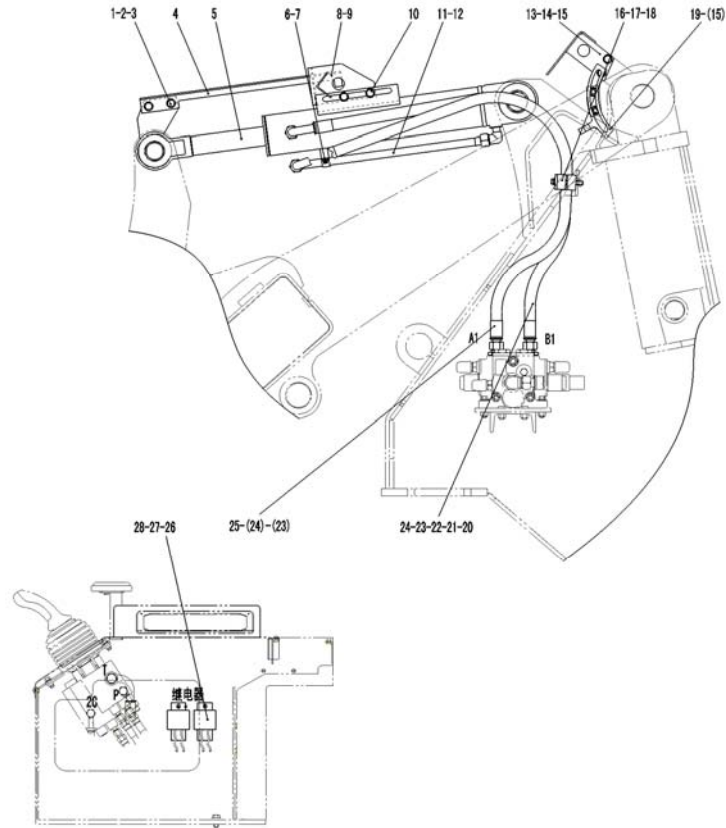
举升缸总成 LIFT ARM CYLINDER ASSEMBLY



序号 Key	零件代号 Part No.	名称 Description	是否配件 Spare parts Y/N	数量 Qty	备注 Remarks
19	4041001226	底板LGB160-1826 SOLEPLATE LGB160-1826	Y	4	
20	4013000028	螺母GB6170-M6EpZn-8 NUT GB6170-M6EpZn-8	N	8	
21	4015000207	垫圈GB97.1-6EpZn-300HV WASHER GB97.1-6EpZn-300HV	N	8	
22	4011000455	螺栓GB16674-M8*25EpZn-8.8 BOLT GB16674-M8*25EpZn-8.8	N	2	
23	29130011671	动臂缸胶管 HOSE	Y	4	

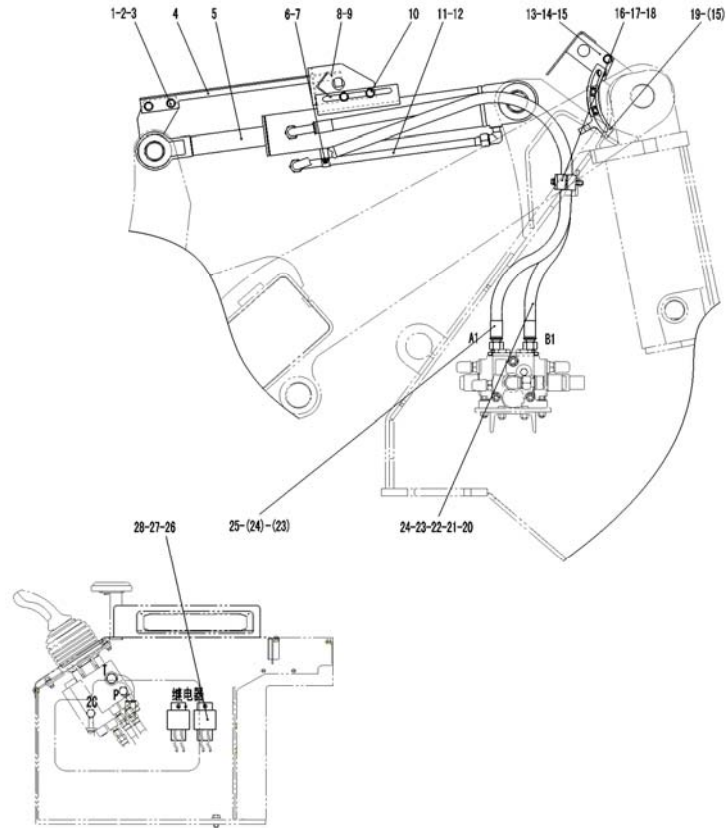


转斗缸总成 TILT CYLINDER ASSEMBLY



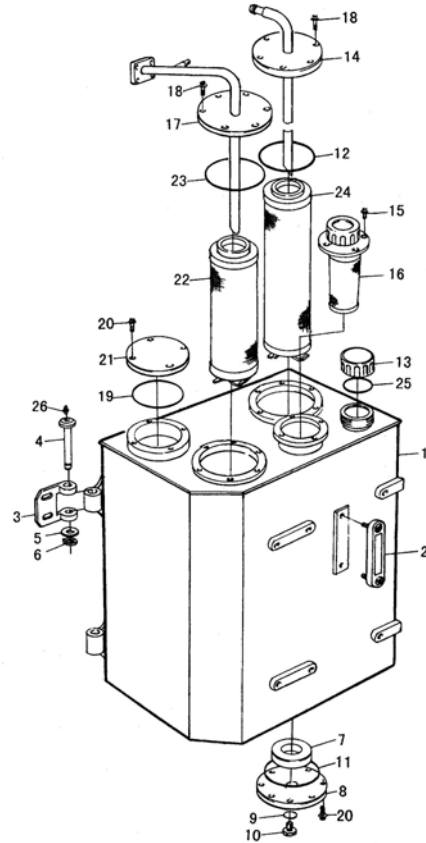
序号 Key	零件代号 Part No.	名称 Description	是否配件 Spare parts Y/N	数量 Qty	备注 Remarks
1	4015000177	垫圈GB97.1-14EpZn-300HV WASHER GB97.1-14EpZn-300HV	N	2	
2	4011000145	螺栓GB16674-M14*35EpZn-8.8 BOLT GB16674-M14*35EpZn-8.8	N	2	
3	4013000013	螺母GB6170-M14EpZn-8 NUT GB6170-M14EpZn-8	N	2	
4	29140009491	转斗指示板 INDICATION ROD OF TILT CYLINDER	Y	1	
5	4120001085	转斗油缸HSGL-100*55*404-779P TILT CYLINDER HSGL-100*55*404-779P	Y	1	
6	4011000461	螺栓GB16674-M8*16EpZn-8.8 BOLT GB16674-M8*16EpZn-8.8	N	2	
7	29140006531	管夹 PIPE CLIP	Y	1	
8	29140008381	接近开关支架 FRAME OF ADJACENT SWICH	Y	1	
9	4130000010	接近开关J7-D10B1 APPROACH SWITCH J7-D10B1	Y	1	
10	4011000479	螺栓GB16674-M12*30EpZn-8.8 BOLT GB16674-M12*30EpZn-8.8	N	2	
11	4030000501	O形圈GB3452.1-15.0*1.80G O-RINGGB3452.1-15.0*1.80G	Y	1	
12	29140006541	转斗缸大腔钢管 BIG CHAMBER TUBE OF TILT CYLINDER	Y	1	
13	29140007541	接近开关支架 FRAME OF ADJACENT SWICH	Y	1	
14	4011000137	螺栓GB16674-M12*20EpZn-8.8 BOLT GB16674-M12*20EpZn-8.8	N	4	
15	4130000678	接近开关J7-D10B1/08 APPROACH SWITCH J7-D10B1/08	Y	1	
16	29140006551	压板 PRESS PLATE	Y	1	
17	29140006561	橡胶板 RUBBER PLATE	Y	2	
18	4011000282	螺栓GB16674-M10*75EpZn-8.8 BOLT GB16674-M10*75EpZn-8.8	N	2	

转斗缸总成 TILT CYLINDER ASSEMBLY



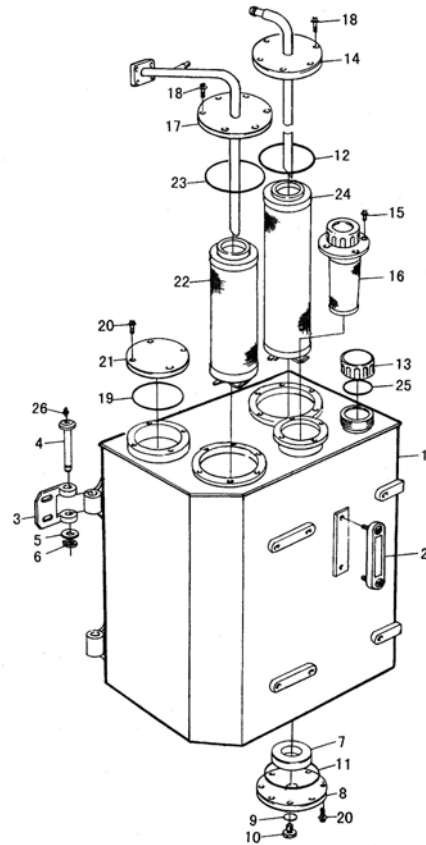
序号 Key	零件代号 Part No.	名称 Description	是否配件 Spare parts Y/N	数量 Qty	备注 Remarks
19	29140007551	动臂指示板	INDICATIONG PLATE OF LIFTING CYLINDER	Y	1
20	29140009571	转斗缸胶管	HOSE OF TILT CYLINDER	Y	1
21	4041000187	直接头LGB120-02622	JOINT LGB120-02622	Y	1
22	4041000771	O形圈LGB168-11924	O-RING LGB168-11924	Y	1
23	4041000685	O形圈LGB168-12631	O-RING LGB168-12631	Y	2
24	4041000582	直接头LGB120-02630	CONNECTOR LGB120-02630	Y	2
25	29140009561	转斗缸胶管	HOSE OF TILT CYLINDER	Y	1
26	4130000011	中间继电器JD2914	MIDDLE RELAY JD2914	Y	2
27	4014000048	螺钉GB818-M5*12EpZn-4.8	SCREW GB818-M5*12EpZn-4.8	N	2
28	4015000110	垫圈GB97.1-5EpZn-300HV	WASHER GB97.1-5EpZn-300HV	N	2

液压油箱总成 HYDRAULIC TANK ASSEMBLY



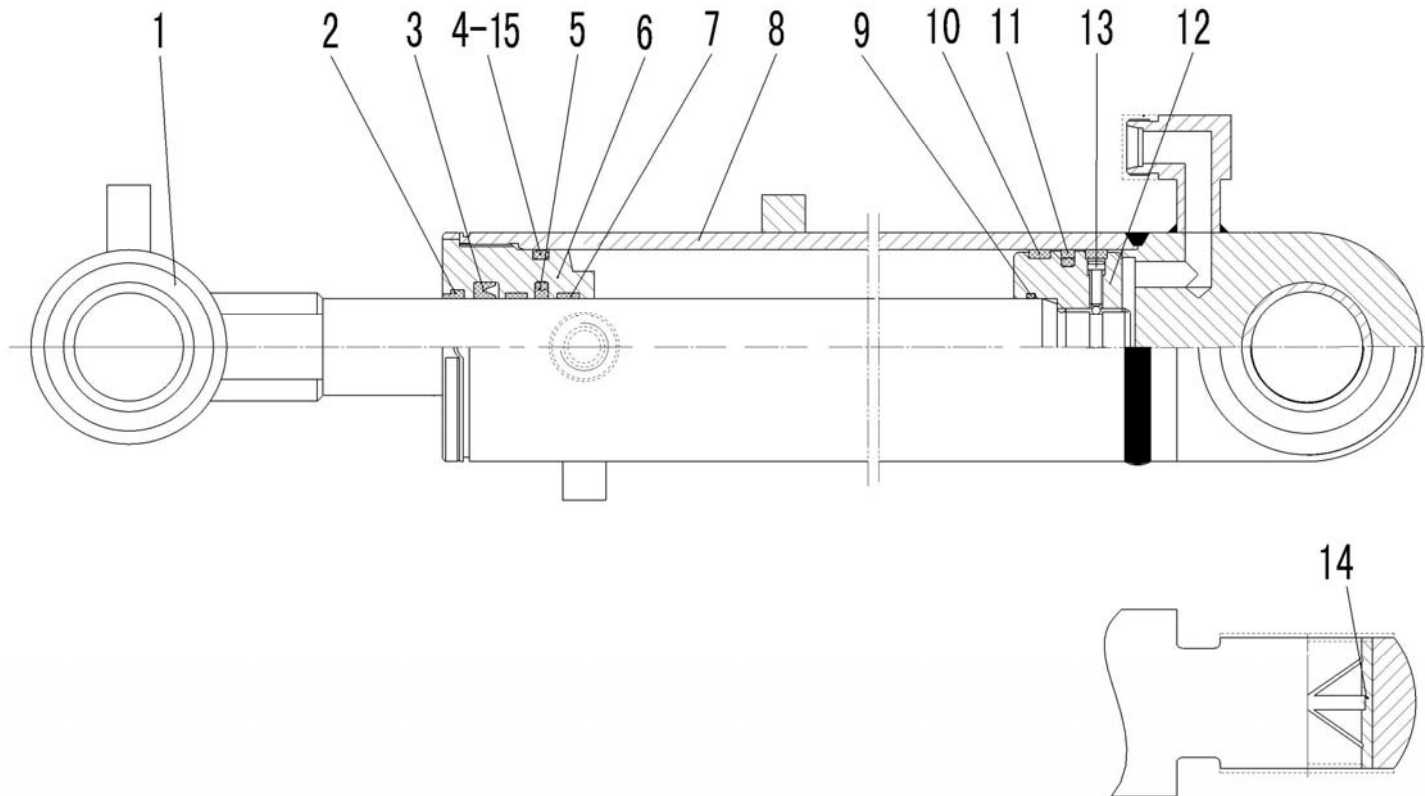
序号 Key	零件代号 Part No.	名称 Description	是否配件 Spare parts Y/N	数量 Qty	备注 Remarks
1	29100008321	液压油箱体	N	1	
2	4120000093	液位计YWZ-200	Y	1	
3	29100006531	合页	Y	2	
4	29100006541	销轴	Y	2	
5	29100006551	垫圈	Y	2	
6	4015000018	挡圈GB894.1-18-65Mn	N	2	
7	4190000007	环形磁铁LG03-CT70*32*14	Y	1	
8	29100006561	放油法兰总成	Y	1	
9	4030000211	O形圈GB3452.1-30.0*2.65G	Y	1	
10	4041000192	螺塞LGB135-03341	Y	1	
11	4030000210	O形圈GB3452.1-165*3.55G	Y	1	
12	4030000208	O形圈GB3452.1-132*3.55G	Y	1	
13	4120000761	换气过滤器L1.0807-51	Y	1	
14	29100006581	吸油法兰总成	Y	1	
15	4011000461	螺栓GB16674-M8*16EpZn-8.8	N	4	
16	4120000452	加油滤芯SFM-323M	Y	1	
17	29100006591	回油法兰总成	Y	1	
18	4011000481	螺栓GB16674-M8*30EpZn-8.8	N	12	

液压油箱总成 HYDRAULIC TANK ASSEMBLY



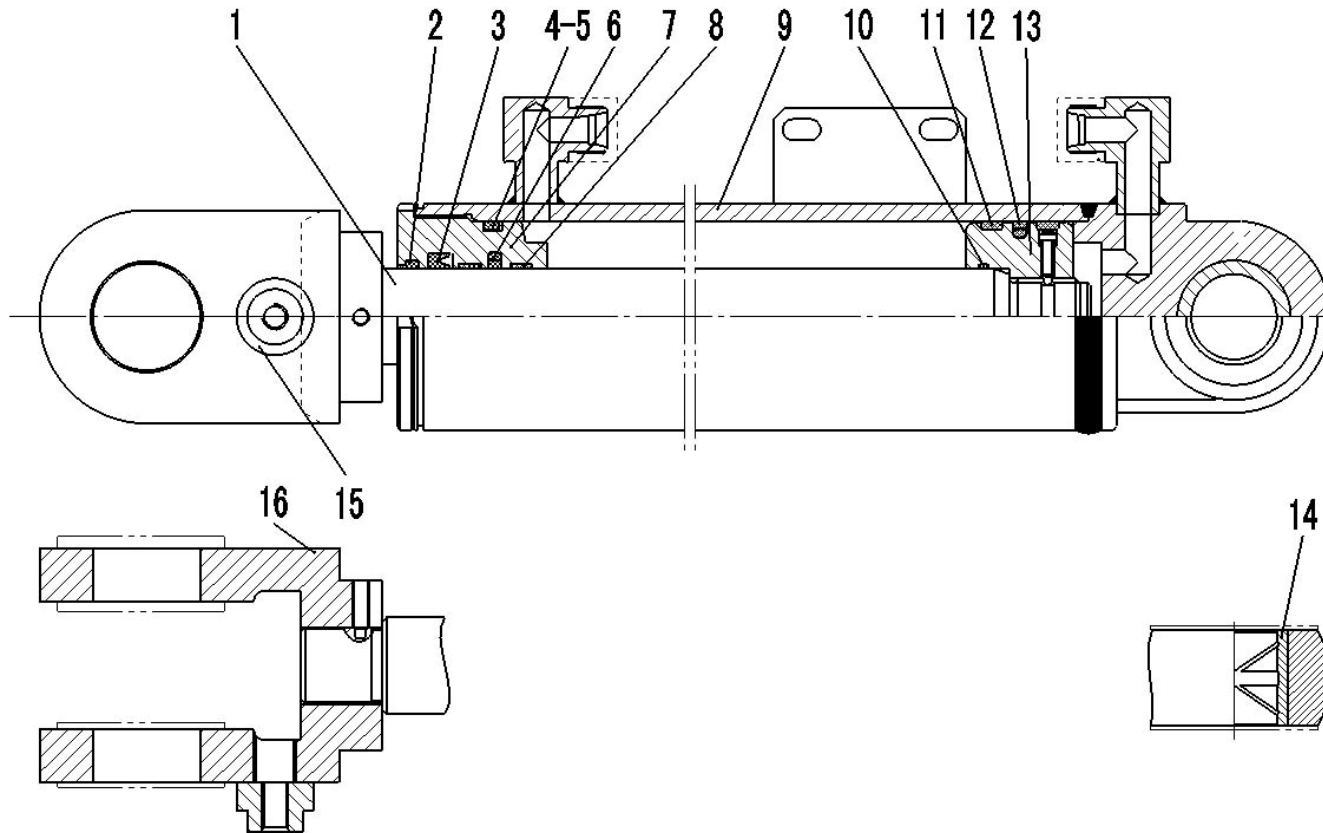
序号 Key	零件代号 Part No.	名称 Description	是否配件 Spare parts Y/N	数量 Qty	备注 Remarks
19	4030000213	O形圈GB3452.1-67.0*2.65G	O-RING GB3452.1-67*2.55G	Y	1
20	4011000458	螺栓GB16674-M8*20EpZn-8.8	BOLT GB16674-M8*20Ep.Zn-8.8	N	12
21	29100006601	法兰	FLANGE	Y	1
22	29100006611	回油滤芯	OIL-RETURNING FILTER	Y	1
23	4030000209	O形圈GB3452.1-136*3.55G	O-RING GB3452.1-136*3.55G	Y	1
24	29100006621	吸油滤芯	FILTER	Y	1
25	4030000030	O形圈GB3452.1-40.0*2.65G	O-RING GB3452.1-40.0*2.65G	Y	1
26	7200002191	油杯M10*1	GREASE FITTING JB7940.1-M10*1	N	2

转斗油缸 (371368) TILT CYLINDER



序号 Key	零件代号 Part No.	名称 Description	是否配件 Spare parts Y/N	数量 Qty	备注 Remarks
1	4120001085102	活塞杆 PISTON ROD	Y	1	
2	4120001085101	密封件包 SEALING MEMBER AGGREGATE	Y	1	
3	4120001085101	密封件包 SEALING MEMBER AGGREGATE	Y	1	
4	4120001085101	密封件包 SEALING MEMBER AGGREGATE	Y	1	
5	4120001085101	密封件包 SEALING MEMBER AGGREGATE	Y	1	
6	4120000979103	导向套HSGL-100/55*404-2 CYLINDER COVER	N	1	
7	4120001085101	密封件包 SEALING MEMBER AGGREGATE	Y	2	
8	4120001085103	缸体 CYLINDER BODY	N	1	
9	4120001085101	密封件包 SEALING MEMBER AGGREGATE	Y	1	
10	4120001085101	密封件包 SEALING MEMBER AGGREGATE	Y	2	
11	4120001085101	密封件包 SEALING MEMBER AGGREGATE	Y	1	
12	4120000979105	活塞HSGL-100/55*404-4 PISTON	N	1	
13	4014000238	螺钉GB70.1-M8*20-8.8 SCREW GB70.1-M8*20-8.8	N	1	
14	4120000979106	轴套HSGL-100/55*404-6 BUSHING	Y	2	
15	4120001085101	密封件包 SEALING MEMBER AGGREGATE	Y	1	

动臂油缸 (371368) LIFT ARM CYLINDER

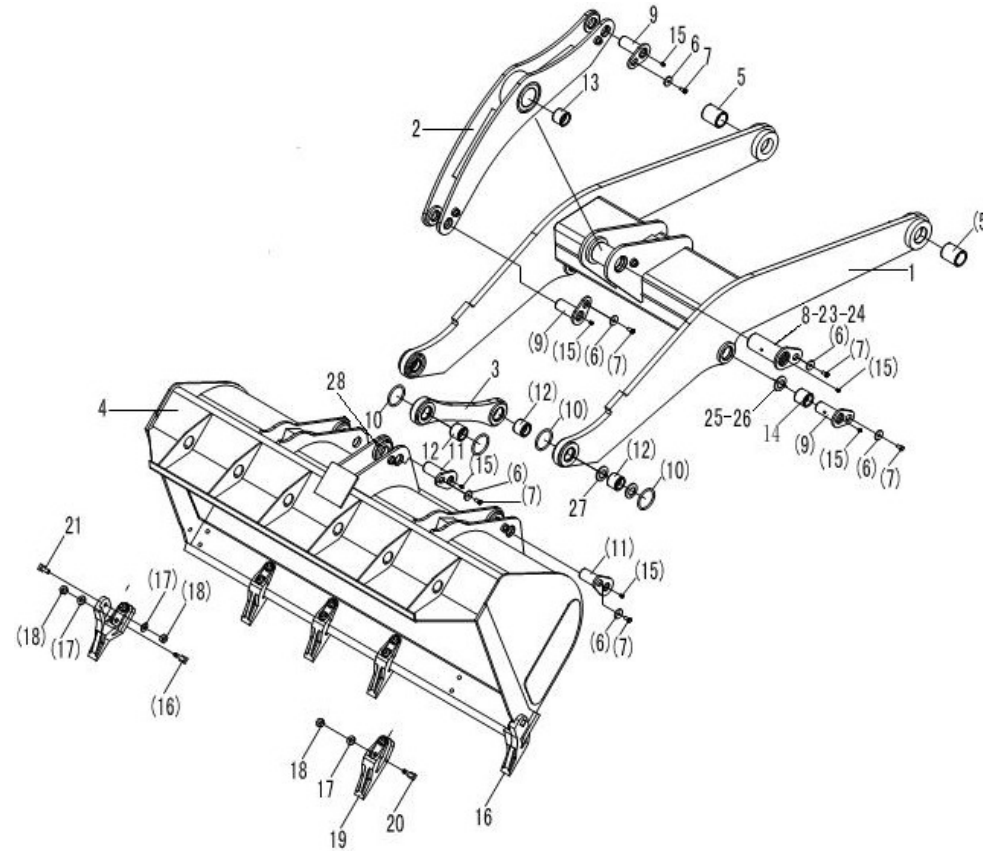


序号 Key	零件代号 Part No.	名称 Description	是否配件 Spare parts Y/N	数量 Qty	备注 Remarks
1	4120001153102	活塞杆HSGL-90/50*640-1	Y	1	
2	4120001153101	密封件包	Y	1	
3	4120001153101	密封件包	Y	1	
4	4120001153101	密封件包	Y	1	
5	4120001153101	密封件包	Y	1	
6	4120001153101	密封件包	Y	1	
7	4120001153103	导向套HSGL-90/50*640-2	N	1	
8	4120001153101	密封件包	Y	2	
9	4120001153104	缸体HSGL-90/50*640-3	N	1	
10	4120001153101	密封件包	Y	1	
11	4120001153101	密封件包	Y	2	
12	4120001153101	密封件包	Y	1	
13	4120000553114	活塞HSGL-90/50*424-5	N	1	
14	4120001153106	衬套HSGL-90/50*640-6	Y	1	
15	4120001153107	丝座HSGK-125/70*771-1	N	1	
16	4120001153108	耳环HSGL-90/50*640-8	N	1	

H 工作装置
WORKING EQUIPMENT

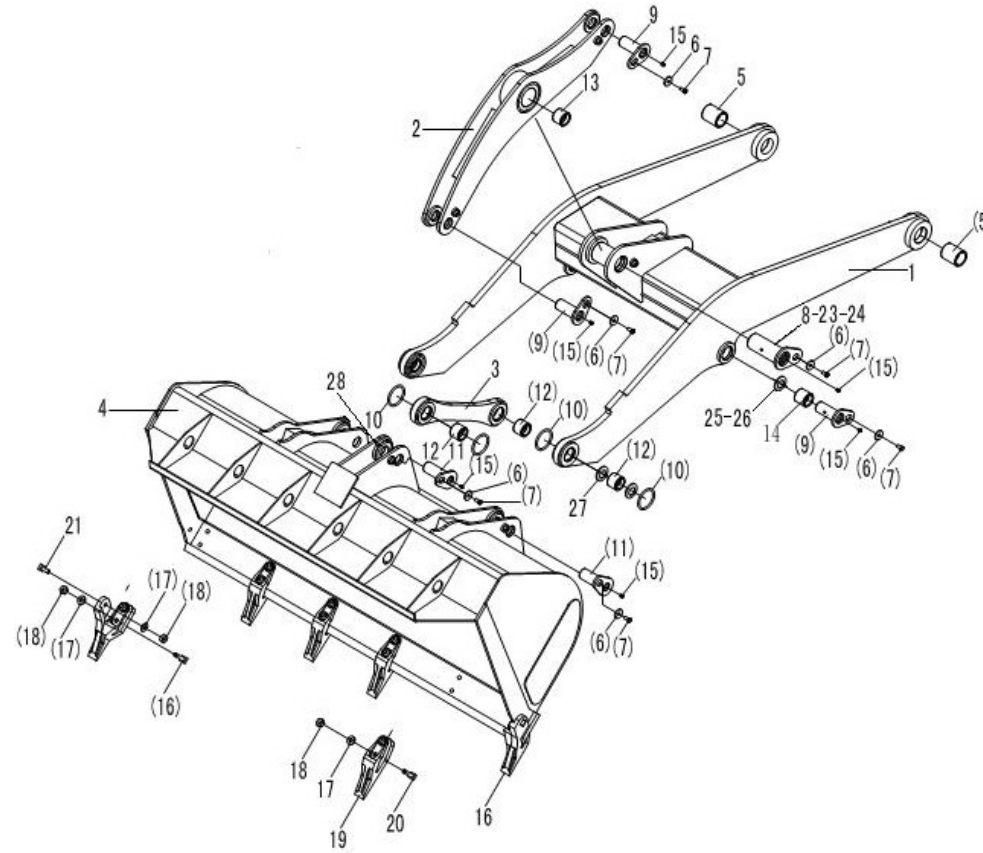
山东临工工程机械有限公司
SHANDONG LINGONG CONSTRUCTION MACHINERY CO.,LTD.

工作装置 WORKING EQUIPMENT



序号 Key	零件代号 Part No.	名称 Description	是否配件 Spare parts Y/N	数量 Qty	备注 Remarks
1	29150007761	动臂 LIFT ARM	Y	1	
2	29150006531	摇臂 ROCKER ARM	Y	1	
3	29150006541	连杆体 LINKAGE ROD	Y	1	
4	29170008612	铲斗 BUCKET	Y	1	
5	4043000156	轴套LGB302-60*90B2 BUSH LGB302-60*90B2	Y	2	
6	4040000001	垫圈LGB001-12 WASHER LGB001-12*45*6	Y	8	
7	4011000197	螺栓GB5783-M12*25EpZn-8.8 BOLT GB5783-M12*30EpZn-8.8	N	8	
8	4043000138	销轴LGB301-75*109*200-40Cr PIN LGB301-75*109*200-40Cr	Y	1	
9	4043000137	销轴LGB301-50*75*135-40Cr PIN LGB301-50*75*135-40Cr	Y	4	
10	4043000069	O形圈LGB308-88*8 O RING LGB308-88*8	Y	6	
11	4043000136	销轴LGB301-50*83*150G-40Cr PIN LGB301-50*83*150-40Cr	Y	3	
12	4043000132	轴套LGB302-50*50B2 轴套LGB302-50*50B2	Y	1	
13	4043000135	轴套LGB302-75*110B2 BUSH LGB302-75*110B2	Y	1	
14	4043000157	轴套LGB302-50*58B2 BUSH LGB302-50*58B2	Y	2	
15	4030000065	油杯JB7940.1-M10*1 GREASE NIPPLE JB7940.1-M10*1	Y	8	
16	4043000179	斗齿LGB304-A2-1 BUCKET TEETH LGB304-A2-1	Y	1	
17	4015000001	垫圈GB1230-16EpZn-45 WASHER GB1230-16EpZn-45	N	14	
18	4013000016	螺母GB6170-M16EpZn-8 NUT GB6170-M16EpZn-8	N	14	

工作装置 WORKING EQUIPMENT



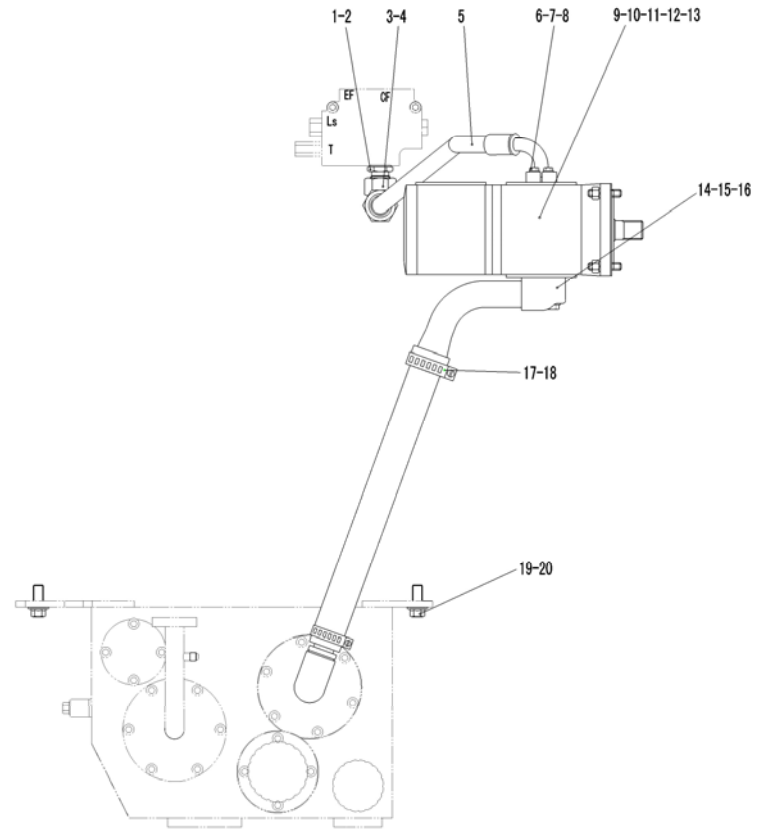
序号 Key	零件代号 Part No.	名称 Description	是否配件 Spare parts Y/N	数量 Qty	备注 Remarks
19	4043000108	斗齿LGB304-A1-1	Y	4	
20	4040000007	螺栓LGB002-M16*70	Y	12	
21	4040000009	螺栓LGB002-M16*40	Y	2	
22	4043000180	斗齿LGB304-A3-1	Y	1	
23	4043000032	垫片LGB303-50*90*1	Y	4	
24	4043000330	垫片LGB303-50*90*2	Y	2	
25	4043000331	垫片LGB303-75*130*1	Y	2	
26	4043000332	垫片LGB303-75*130*2	Y	1	
27	4043000067	垫片LGB303-50*100*1	Y	4	
28	4043000333	垫片LGB303-50*100*2	Y	2	
29	29170018201	主刀板	Y	1	
30	29170013191	铲斗总成	Y	1	

I 转向系统

STEERING SYSTEM

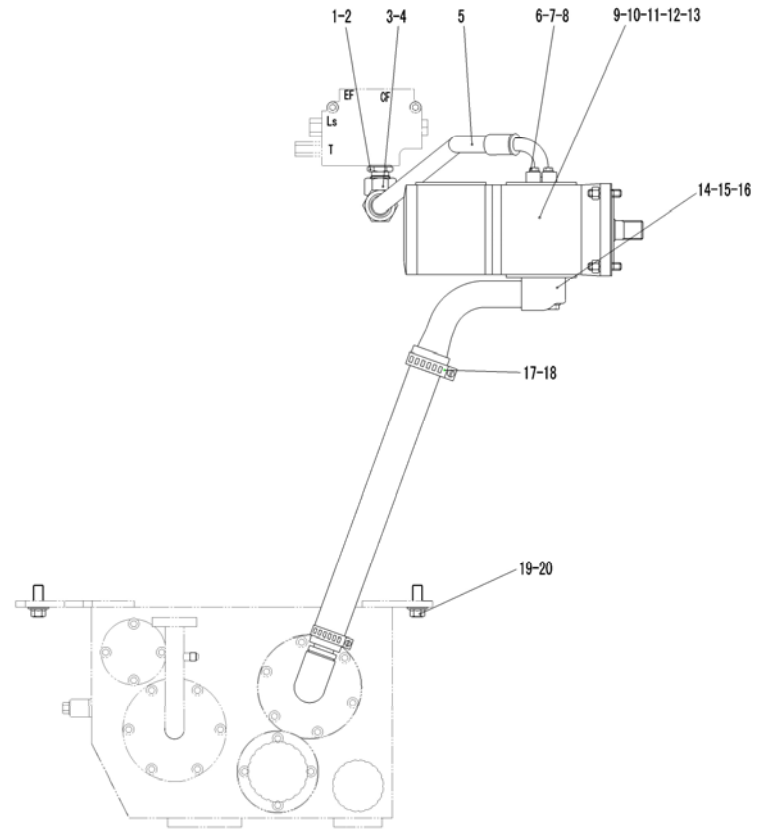
山东临工工程机械有限公司
SHANDONG LINGONG CONSTRUCTION MACHINERY CO.,LTD.

转向泵总成 STEERING PUMP ASSEMBLY



序号 Key	零件代号 Part No.	名称 Description	是否配件 Spare parts Y/N	数量 Qty	备注 Remarks
1	4041000796	直接头LGB120-02628	CONNECTOR LGB120-02628	Y	1
2	4041000779	O形圈LGB168-12331	O-RING LGB168-12331	Y	1
3	29120006551	组合直角接头	UNIT ANGLE COUPLING	Y	1
4	4030000501	O形圈GB3452.1-15.0*1.80G	O-RINGGB3452.1-15.0*1.80G	Y	1
5	29190007751	泵出油胶管	OUT HOSE OF PUMP	Y	1
6	4011000481	螺栓GB16674-M8*30EpZn-8.8	BOLT GB16674-M8*30Ep.Zn-8.8	N	4
7	29190008061	压盖	GLAND	Y	1
8	4030000279	O形圈GB3452.1-25.0*3.55G	O-RING GB3452.1-25*3.55G	Y	1
9	4120001084	双联泵CBGj2050/1010-XF	SPLIT FLOW PUMP CBGj2050/1010-XF	Y	1
10	29110000041	泵用密封垫	SEALING WASHER	Y	1
11	4012000003	螺柱GB898-M12*35EpZn-8.8	DOUBLE-SCREW BOLT GB898-M12*35EpZn-8.8	N	4
12	4013000011	螺母GB6170-M12EpZn-8	NUT GB6170-M12 EpZn-8	N	4
13	4015000168	垫圈GB97.1-12EpZn-300HV	WASHER GB97.1-12EpZn-300HV	N	4
14	29190007761	泵吸油钢管	INLET HOSE OF PUMP	Y	1
15	4030000031	O形圈GB3452.1-42.5*3.55G	O-RING GB3452.1-42.5*3.55G	Y	1
16	4011000478	螺栓GB16674-M12*55EpZn-8.8	BOLT GB16674-M12*55EpZn-8.8	N	4
17	4017000018	喉箍JB8870-d70	CLAMP JB8870-d70	N	2
18	4090000042	吸油胶管HG4-763-51*490	HOSE HG4-763-51*490	Y	1

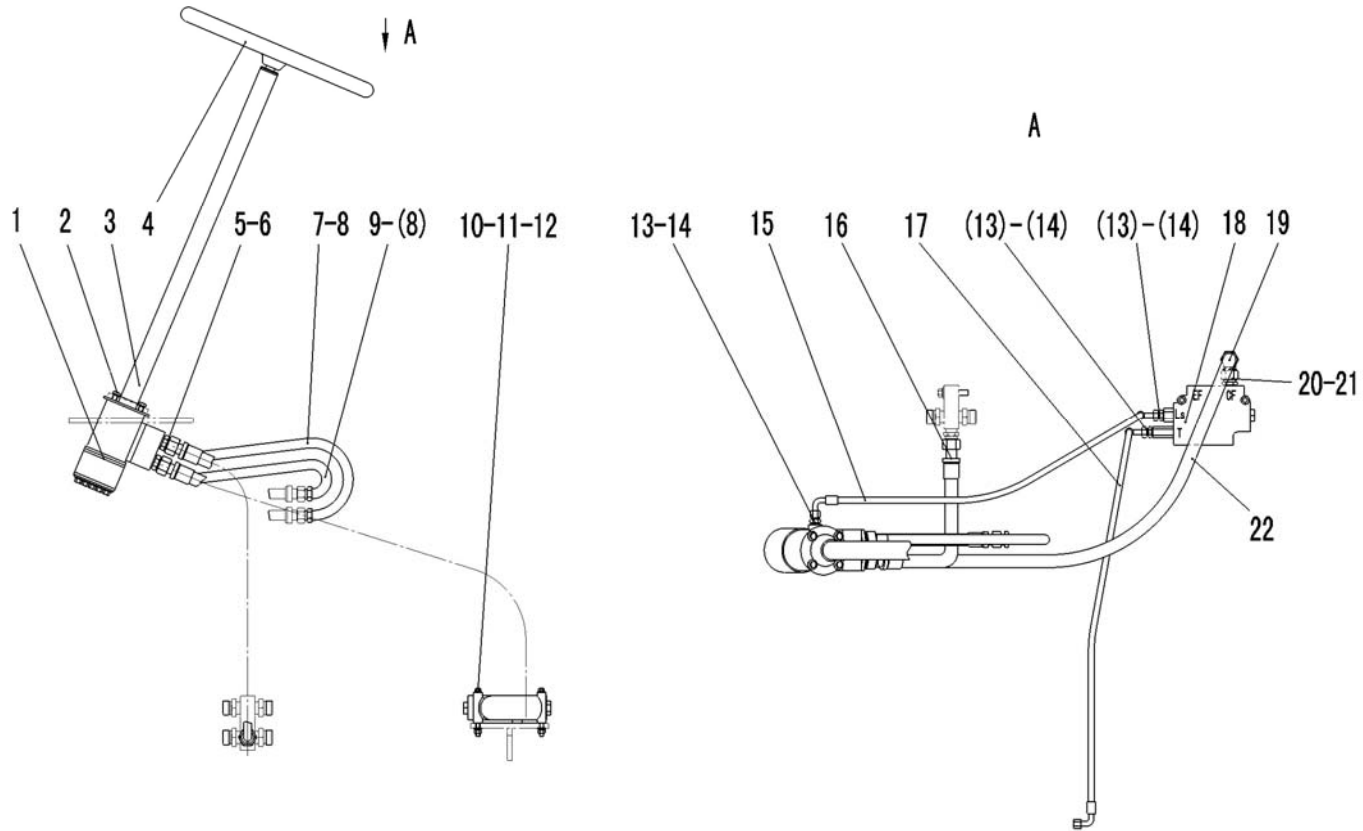
转向泵总成 STEERING PUMP ASSEMBLY



序号 Key	零件代号 Part No.	名称 Description	是否配件 Spare parts Y/N	数量 Qty	备注 Remarks
19	4011000095	螺栓GB5783-M16*35EpZn-8.8	BOLT GB5783-M16*35EpZn-8.8	N	6
20	4015000181	垫圈GB97.1-16EpZn-300HV	WASHER GB97.1-16EpZn-300HV	N	6

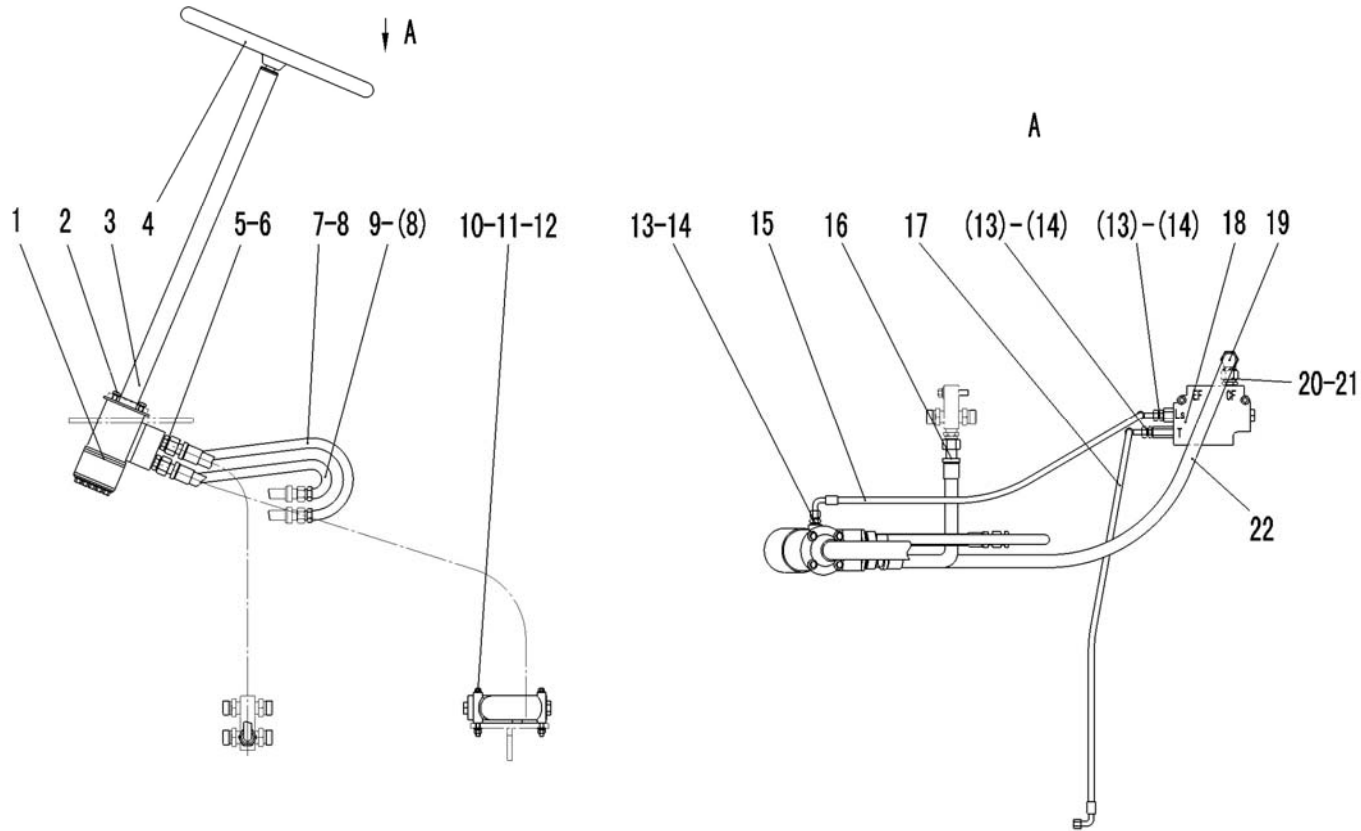


转向器总成 STEERING UNIT ASSEMBLY



序号 Key	零件代号 Part No.	名称 Description	是否配件 Spare parts Y/N	数量 Qty	备注 Remarks
1	4120001147	转向器BZZ5-320	STEERING DEVICE BZZ5-320	Y	1
2	4011000474	螺栓GB16674-M10*25EpZn-8.8	BOLT GB16674-M10*25EpZn-8.8	N	4
3	4120001546	转向柱LG20-ZXZ-04	STEERING POLE LG20-ZXZ-04	Y	1
4	4120001548	方向盘LG20-FXP-01	STEERING WHEEL LG20-FXP-01	Y	1
5	4041000564	直接头LGB120-02620	JOINT LGB120-02620	Y	4
6	4041000783	O形圈LGB168-11724	O-RING LGB168-11724	Y	4
7	29200004021	转向器出油钢管A	OIL OUTLET TUBE OF STEERING GEAR(A)	Y	1
8	4030000501	O形圈GB3452.1-15.0*1.80G	O-RINGGB3452.1-15.0*1.80G	Y	2
9	29200004031	转向器出油钢管B	OUTLET TUBE FROM STEERING DEVICE(B)	Y	1
10	4011000493	螺栓GB16674-M8*90EpZn-8.8	BOLT GB16674-M8*90EpZn-8.8	N	2
11	4013000033	螺母GB6170-M8EpZn-8	NUT GB6170-M8EpZn-8	N	2
12	4015000072	垫圈GB97.1-8EpZn-300HV	WASHER GB97.1-8EpZn-300HV	N	2
13	4041000131	直接头LGB120-01412	JOINT LGB120-01412	Y	3
14	4041000784	O形圈LGB168-10924	O-RING LGB168-10924	Y	3
15	29200007841	优先阀反馈油管	FEED BACK OIL PIPE OF PRIORITY VALVE	Y	1
16	4041000677	软管LGB164-010085	PIPE LGB164-010085	Y	1
17	29200006531	优先阀回油胶管	OIL RETURN PIPE OF PRIORITY VALVE	Y	1
18	4120000709	优先阀VLE-150	PRIORITY VALVE VLE-150	Y	1

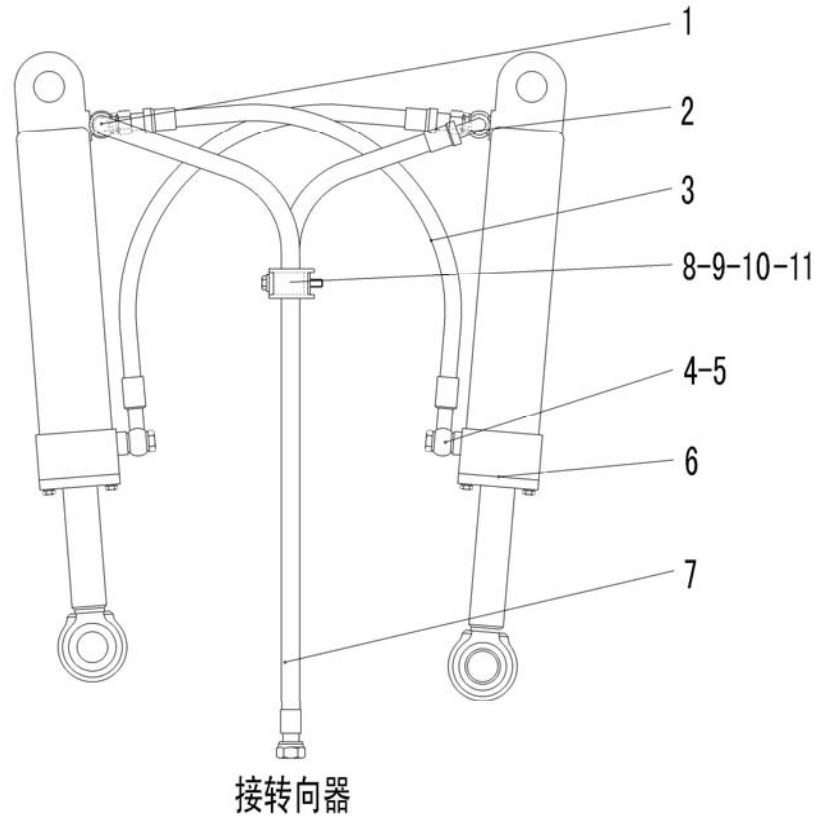
转向器总成 STEERING UNIT ASSEMBLY



序号 Key	零件代号 Part No.	名称 Description	是否配件 Spare parts Y/N	数量 Qty	备注 Remarks
19	29200007931	直角接头	RIGHE-ANGLE CONNECTOR	Y	1
20	4041000187	直接头LGB120-02622	JOINT LGB120-02622	Y	1
21	4041000771	O形圈LGB168-11924	O-RING LGB168-11924	Y	1
22	4041000590	软管LGB127-010110	TUBE LGB127-010110	Y	1

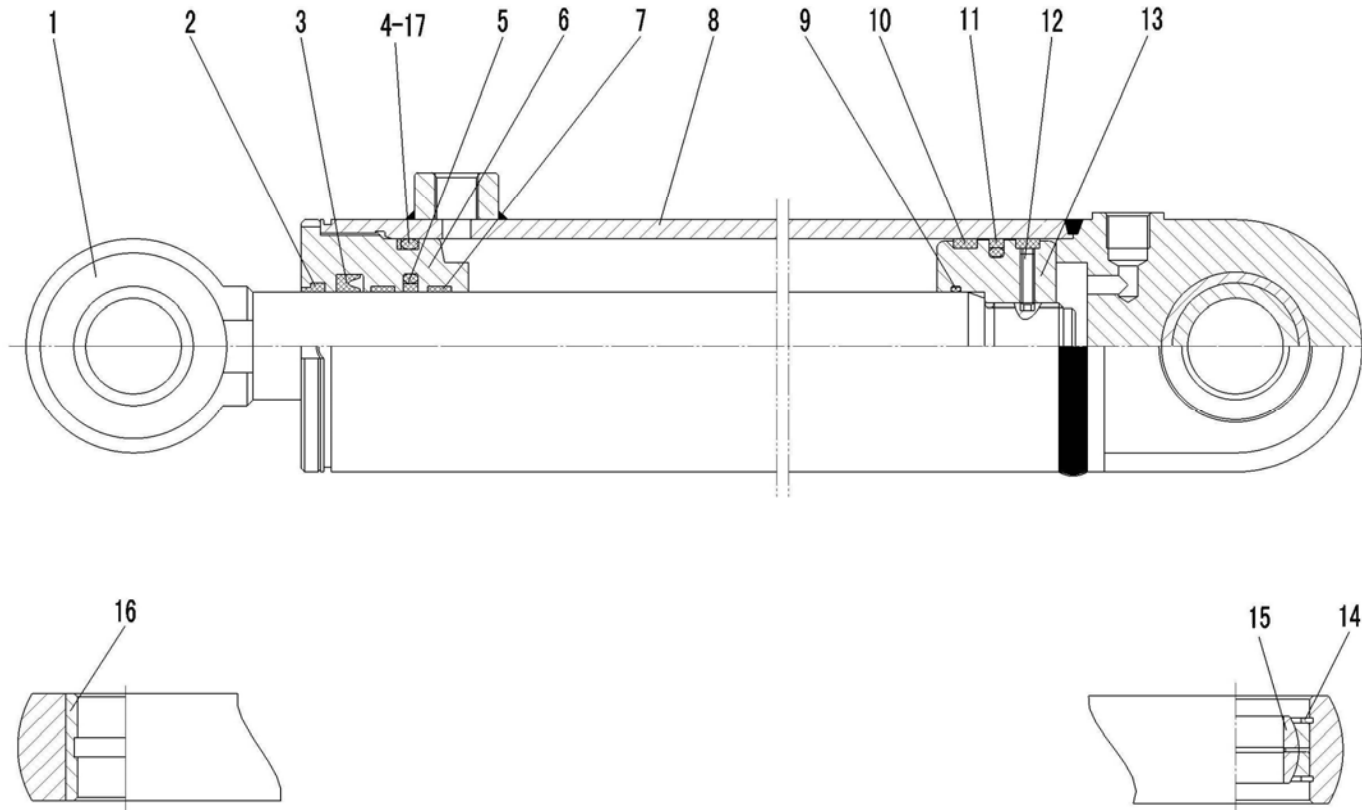


转向缸总成 STEERING CYLINDER ASSEMBLY



序号 Key	零件代号 Part No.	名称 Description	是否配件 Spare parts Y/N	数量 Qty	备注 Remarks
1	29210004021	钢管 TUBE	Y	1	
2	29210004031	钢管 TUBE	Y	1	
3	29210006521	转向缸中间胶管 PIPE OF STEERING CYLINDER	Y	2	
4	4011000366	螺栓JB999-M18*1.5*40EpZn-35 BOLT JB999-M18*1.5*40-35	N	4	
5	4030000058	垫圈JB1002-18-T2 WASHER JB1002-18-T2	Y	8	
6	4120001821	转向油缸HSGL-63*35*300-520 STEERING CYLINDER HSGL-63*35*300-520	Y	2	
7	29210006531	转向缸进油胶管 OIL INTLET PIPE OF STEERING CYLINDER	Y	2	
8	29210004061	固定座 PERMAMENT SEAT	Y	1	
9	29210004071	橡胶板 RUBBER BAR	Y	2	
10	4011000051	螺栓GB5782-M10*70EpZn-8.8 BOLT GB5782-M10*70EpZn-8.8	N	1	
11	4015000197	垫圈GB96.1-10EpZn-300HV WASHER GB96.1-10EpZn-300HV	N	1	

转向油缸 (371368) STEERING CYLINDER

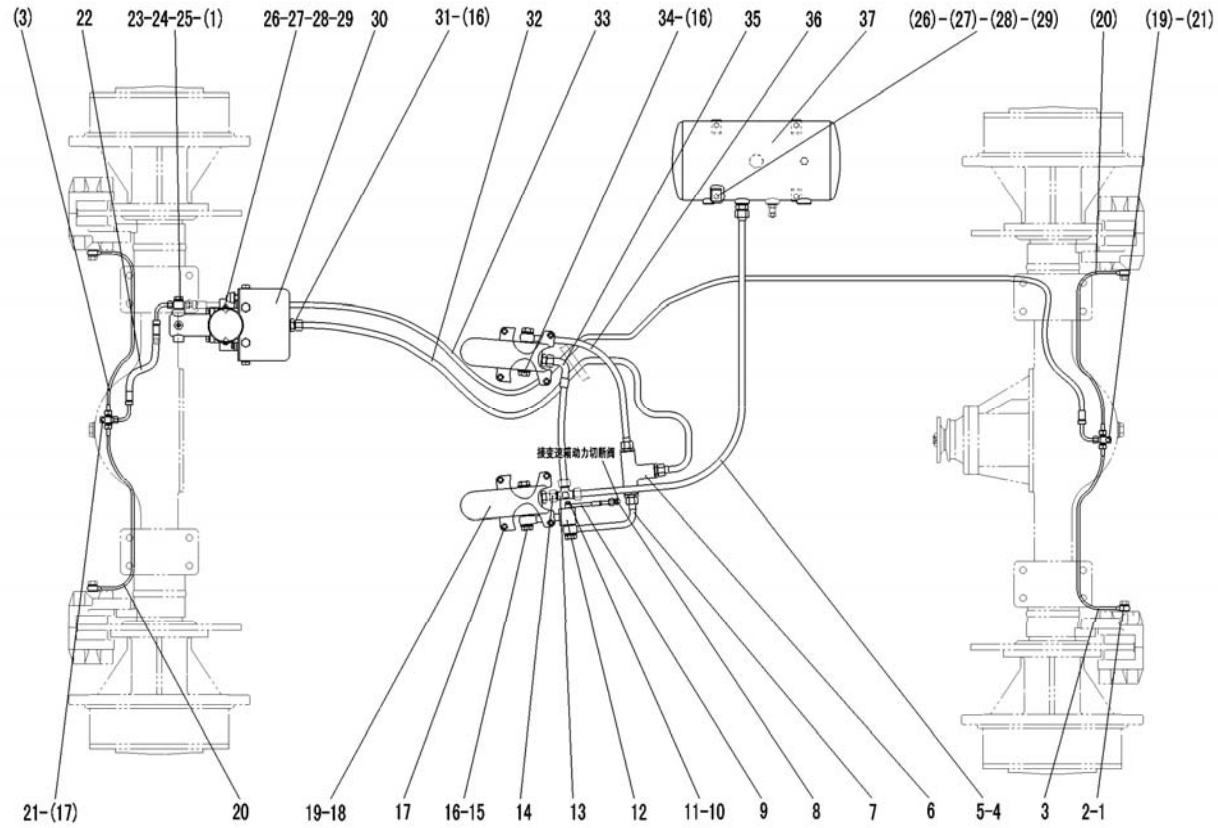


序号 Key	零件代号 Part No.	名称 Description	是否配件 Spare parts Y/N	数量 Qty	备注 Remarks
1	4120001821102	活塞杆HSGL-63/35*290-1	PISTON ROD	Y	1
2	4120001821101	密封件包	SEALING MEMBER AGGREGATE	Y	1
3	4120001821101	密封件包	SEALING MEMBER AGGREGATE	Y	1
4	4120001821101	密封件包	SEALING MEMBER AGGREGATE	Y	1
5	4120001821101	密封件包	SEALING MEMBER AGGREGATE	Y	1
6	4120001821103	导向套HSGL-63/35*290-2	CYLINDER COVER	N	1
7	4120001821101	密封件包	SEALING MEMBER AGGREGATE	Y	2
8	4120001821104	缸体HSGL-63/35*290-3	CYLINDER BODY	N	1
9	4120001821101	密封件包	SEALING MEMBER AGGREGATE	Y	1
10	4120001821101	密封件包	SEALING MEMBER AGGREGATE	Y	2
11	4120001821101	密封件包	SEALING MEMBER AGGREGATE	Y	1
12	4014000237	螺钉GB70.1-M6*16-8.8	SCREW GB70.1-M6*16-8.8	N	1
13	4120001821105	活塞HSGL-63/35*290-4	PISTON	N	1
14	4015000272	P挡圈GB893.1-55-65Mn	RETAINER GB893.1-55-65Mn	N	1
15	7200001109	关节轴承GE35ES	BEARING GE35ES	Y	1
16	4120001821108	衬套HSGL-63/35*290-7	BUSHING	Y	1
17	4120001821101	密封件包	SEALING MEMBER AGGREGATE	Y	1

J 制动系统
BRAKE SYSTEM

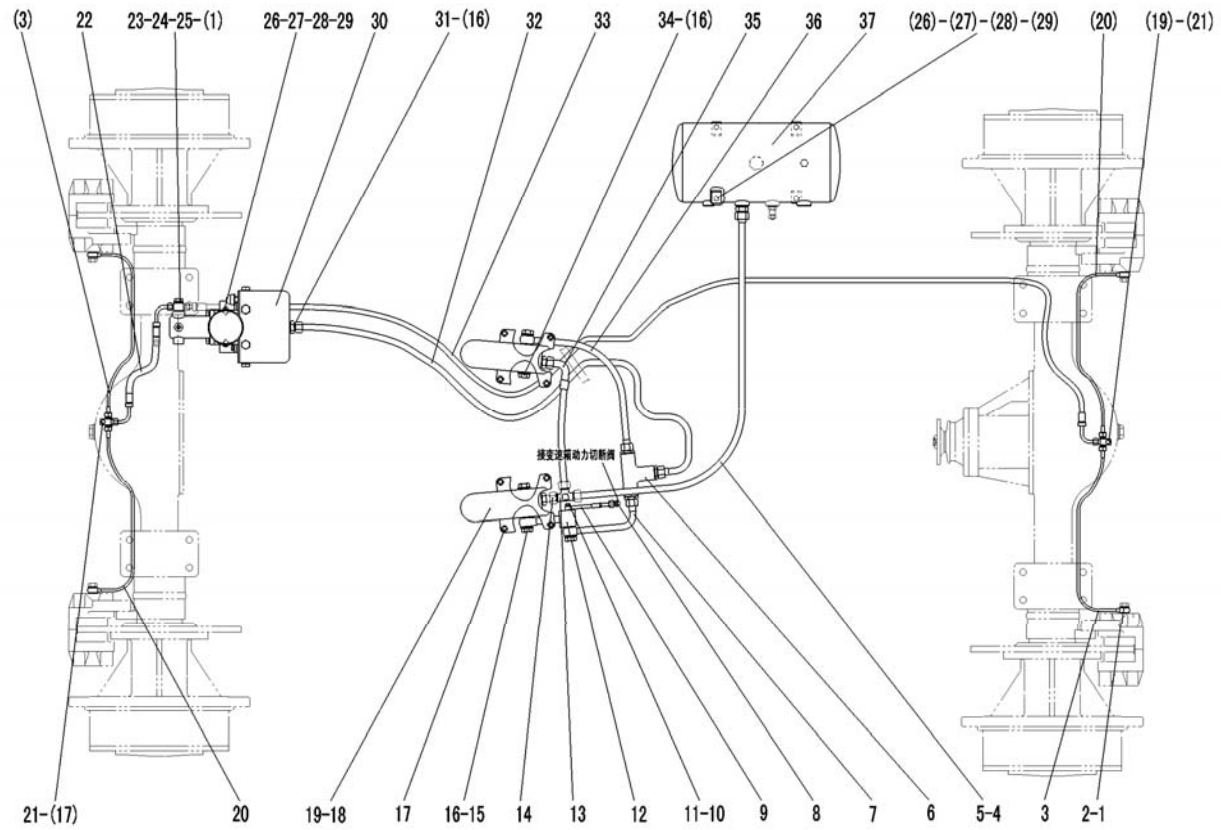
山东临工工程机械有限公司
SHANDONG LINGONG CONSTRUCTION MACHINERY CO.,LTD.

行车制动总成 SERVICE BRAKE SYSTEM



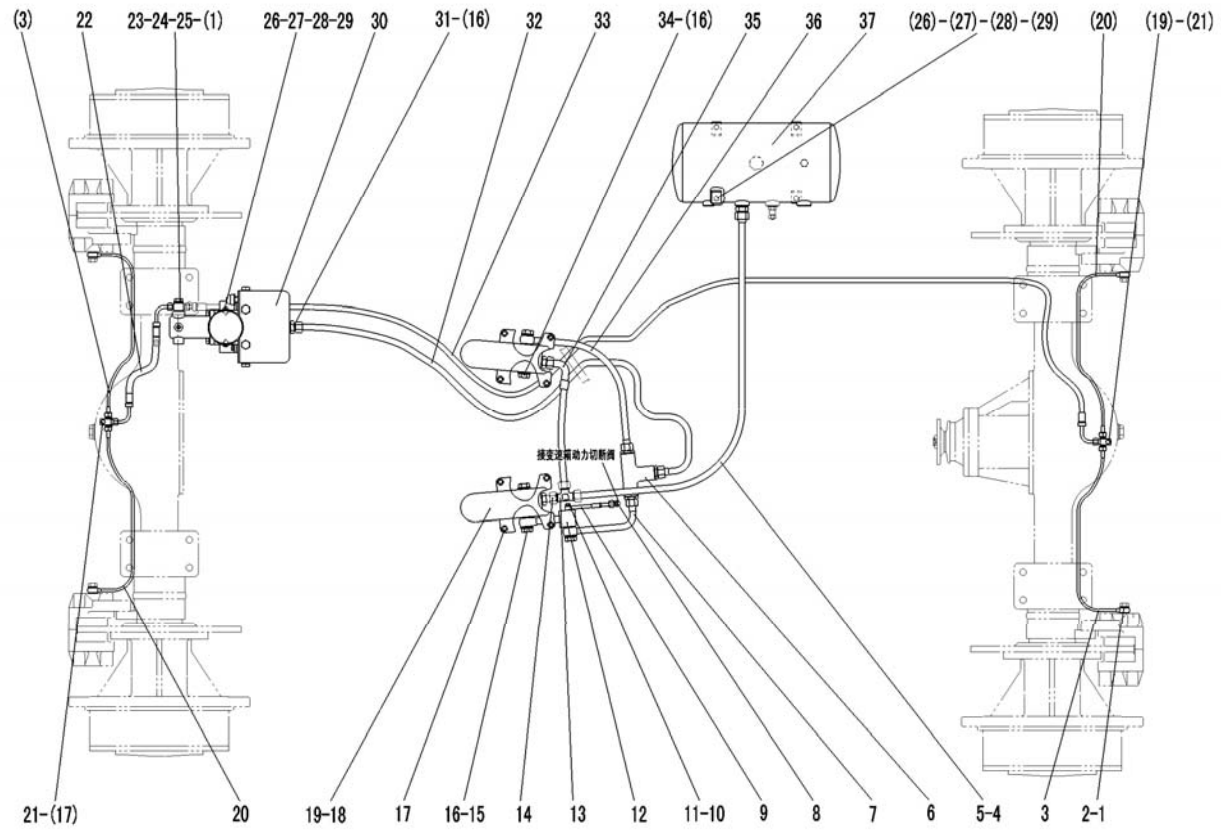
序号 Key	零件代号 Part No.	名称 Description	是否配件 Spare parts Y/N	数量 Qty	备注 Remarks	
1	29220000021	垫圈	WASHER	Y	9	
2	29220000031	制动器管接头	CONNECTER	Y	4	
3	29220006522	桥油管	OIL TUBE OF AXLE	Y	2	
4	29220006531	至储气罐气管	TUBE TO AIR RESSERVIOR	Y	1	
5	29010000051	垫圈	WASHER	Y	9	
6	4120000248	梭阀SF-50G	SHUTTLE VALVE SF-50G	Y	1	
7	29220007711	转换钢管	TUBE	Y	1	
8	29220008501	直接头	CONNECTOR	Y	1	
9	4041001053	软管LGB145-102072	HOSE LGB145-102072	Y	1	
10	4011000283	螺栓JB999-M10*1*18EpZn-35	BOLT JB999-M10*1*18-35	Y	1	
11	29230000141	垫圈	WASHER	Y	2	
12	29220007921	三通接管	TUBE	Y	1	
13	29220007701	三通接头	TEE OF THE OIL LINE	Y	1	
14	29220007691	接头	JOINT	Y	1	
15	29010000041	螺栓	BOLT	Y	3	
16	29010000061	垫圈	WASHER	Y	12	
17	4011000455	螺栓GB16674-M8*25EpZn-8.8	BOLT GB16674-M8*25EpZn-8.8	N	10	
18	4120001795	气制动阀LY60F	BRAKE CONTROL VALVE LY60F	Y	2	

行车制动总成 SERVICE BRAKE SYSTEM

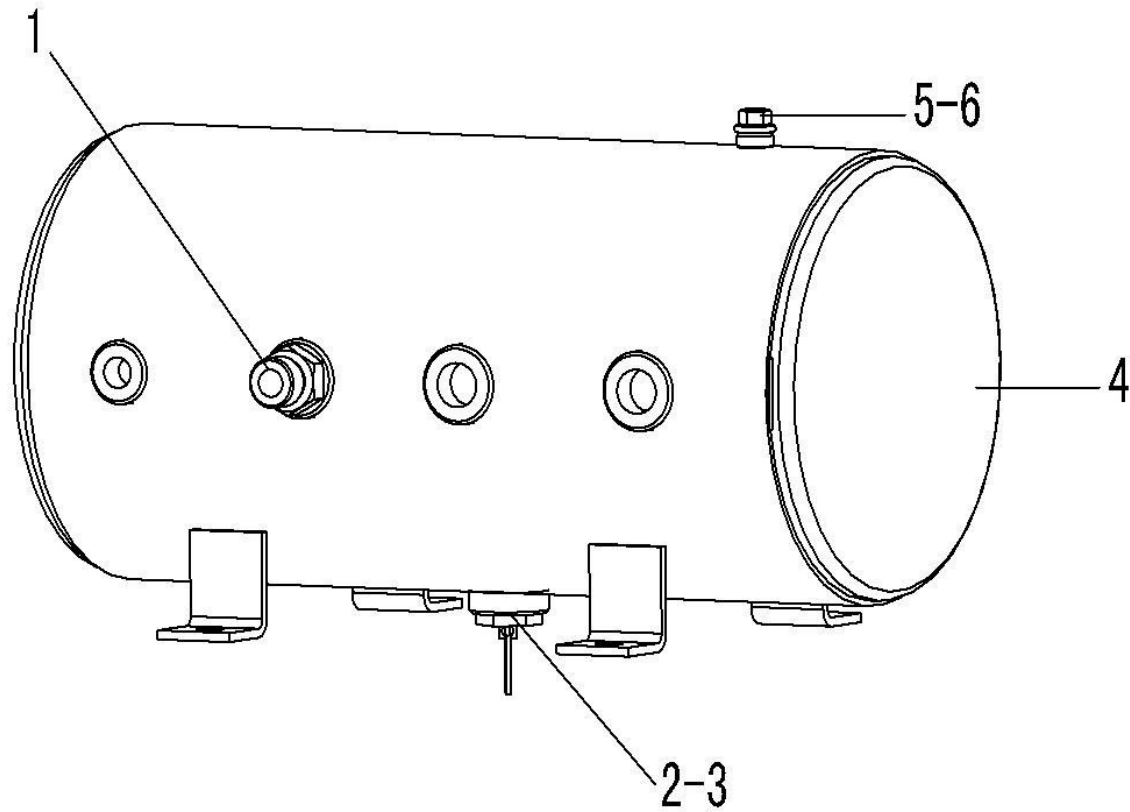


序号 Key	零件代号 Part No.	名称 Description	是否配件 Spare parts Y/N	数量 Qty	备注 Remarks
19	4130000521	制动灯开关YK209K	Y	2	
20	29220006542	桥油管	Y	2	
21	29220000131	三通接头	Y	2	
22	29220006551	至前桥油管	Y	1	
23	29220006561	三通块	Y	1	
24	29220000161	加力泵管接头	Y	1	
25	29220000171	垫圈	Y	1	
26	4011000475	螺栓GB16674-M10*30EpZn-8.8	N	6	
27	4015000162	垫圈GB97.1-10EpZn-300HV	N	6	
28	4015000025	垫圈GB93-10-65Mn	N	6	
29	4013000007	螺母GB6170-M10EpZn-8	N	6	
30	4120000090	加力泵XZ-60	Y	1	
31	29010000071	二通接头	Y	3	
32	29220008731	至加力泵气管	Y	1	
33	4041001183	软管LGB153-202310	Y	1	
34	4030000055	螺塞JB1000-M22*1.5EpZn-35	Y	2	
35	4041001139	软管LGB150-204042	Y	1	
36	4041000998	软管LGB149-004041	Y	1	

行车制动总成 SERVICE BRAKE SYSTEM



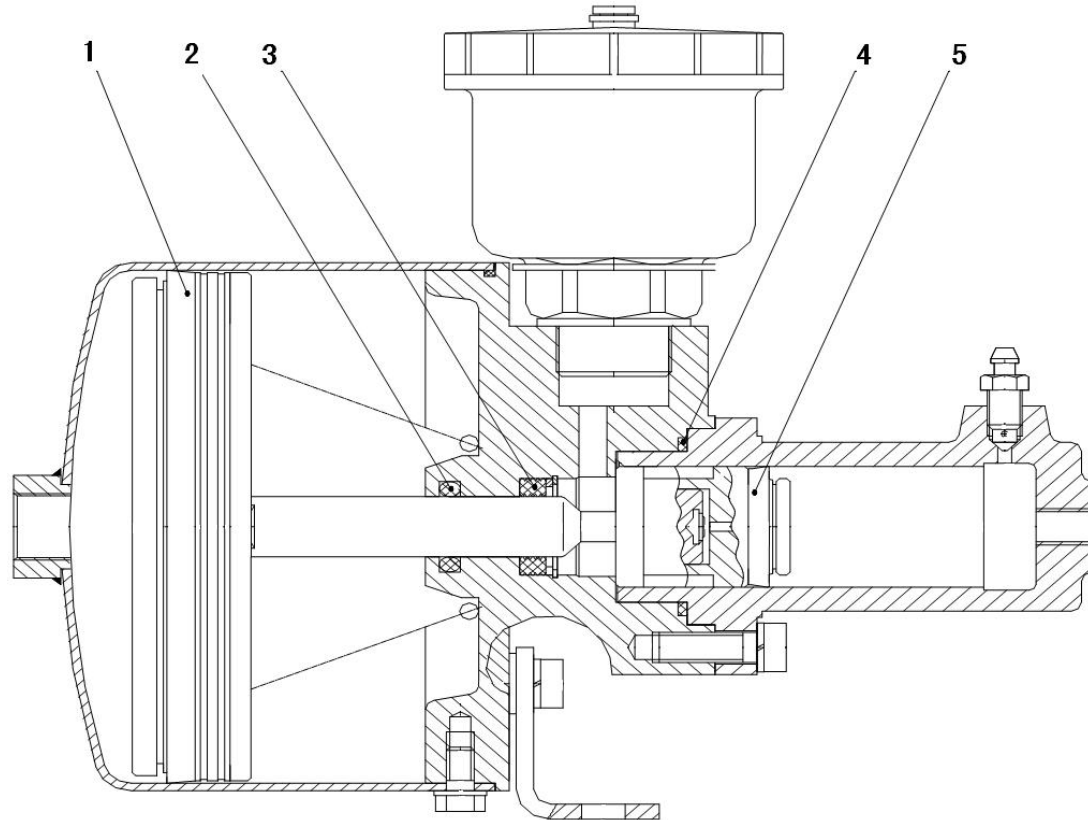
储气罐 AIR RESSERVIOR



序号 Key	零件代号 Part No.	名称 Description	是否配件 Spare parts Y/N	数量 Qty	备注 Remarks
1	4120000065	安全阀LG09-AQF	Y	1	
2	4120000066	791手动放水阀LG09-FSF	Y	1	
3	29010000061	垫圈	Y	1	
4	29220006691	罐体	Y	1	
5	4030000311	螺塞JB1000-M10*1EpZn-35	Y	1	
6	29230000141	垫圈	Y	1	



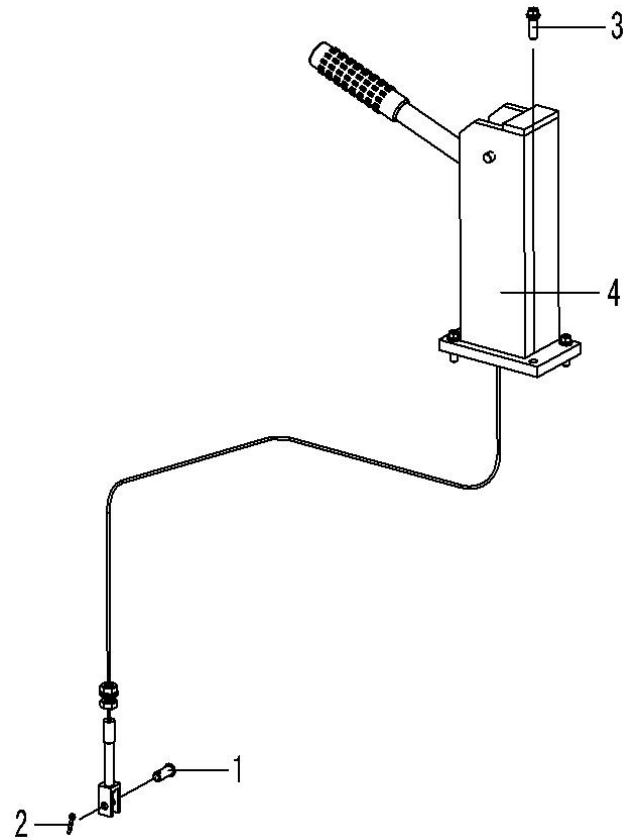
加力泵(340201) BRAKE BOOSTER



序号 Key	零件代号 Part No.	名称 Description	是否配件 Spare parts Y/N	数量 Qty	备注 Remarks
1	4120000090051	密封件包 SEALING MEMBER AGGREGATE	Y	1	
2	4120000090051	密封件包 SEALING MEMBER AGGREGATE	Y	1	
3	4120000090051	密封件包 SEALING MEMBER AGGREGATE	Y	1	
4	4120000090051	密封件包 SEALING MEMBER AGGREGATE	Y	1	
5	4120000090051	密封件包 SEALING MEMBER AGGREGATE	Y	1	



驻车制动系统 PARKING BRAKE SYSTEM



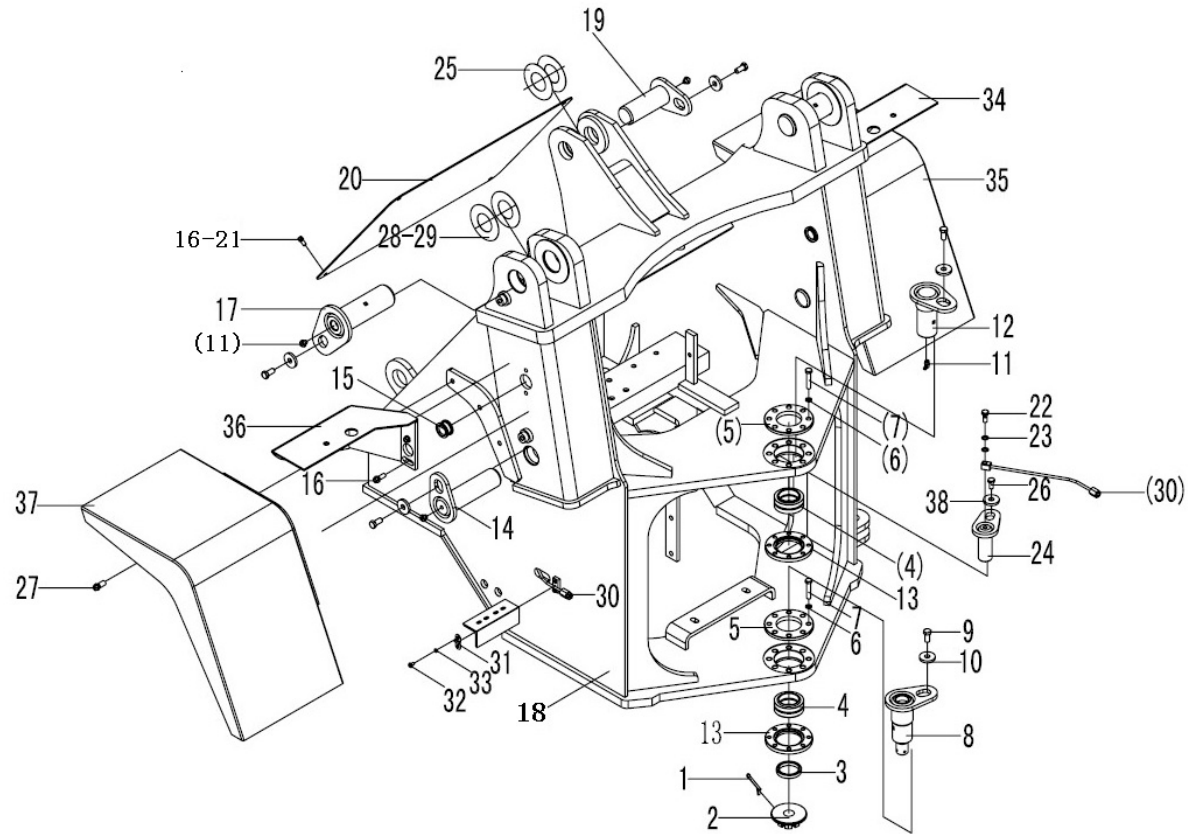
序号 Key	零件代号 Part No.	名称 Description	是否配件 Spare parts Y/N	数量 Qty	备注 Remarks
1	4016000145	销轴GB882-B10*28EpZn-35	PIN GB882-B10*28EpZn-35	N	1
2	4016000183	开口销GB91-3.2*22EpZn-Q235A	PIN GB91-3.2*22EpZn-Q235A	N	1
3	4011000455	螺栓GB16674-M8*25EpZn-8.8	BOLT GB16674-M8*25EpZn-8.8	N	4
4	4120000988	操纵机构总成LG23-CZJG-918	OPERATING GEAR LG23-CZJG-918	Y	1



K 车架
FRAME

山东临工工程机械有限公司
SHANDONG LINGONG CONSTRUCTION MACHINERY CO.,LTD.

前车架总成 FRONT FRAME

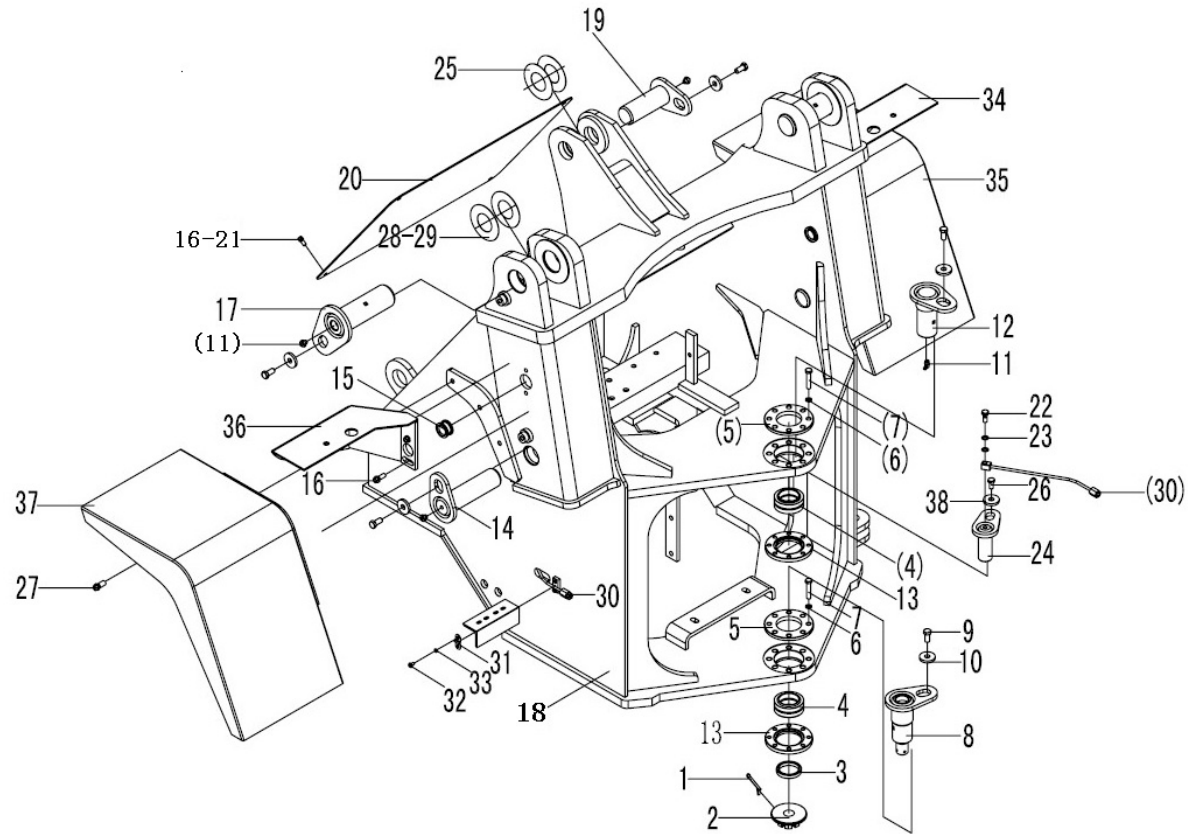


序号 Key	零件代号 Part No.	名称 Description	是否配件 Spare parts Y/N	数量 Qty	备注 Remarks
1	4016000113	开口销GB91-6.3*63EpZn-Q235A	N	1	
2	29250001061	开槽螺母	Y	1	
3	29250006521	套	Y	1	
4	4021000050	关节轴承GB9163-GE50ES-2RS	Y	2	
5	29250006531	端盖	Y	2	
6	4015000025	垫圈GB93-10-65Mn	N	16	
7	4011000048	螺栓GB5782-M10*50EpZn-8.8	N	16	
8	29250006541	下铰接销	Y	1	
9	4011000197	螺栓GB5783-M12*25EpZn-8.8	N	7	
10	4040000001	垫圈LGB001-12	Y	7	
11	4030000065	油杯JB7940.1-M10*1	Y	9	
12	29250006551	上铰接销	Y	1	
13	29250006561	盘	Y	2	
14	4043000321	销轴LGB301-50*104*190G-40Cr	Y	2	
15	29250001351	走线胶套	Y	4	
16	4015000256	垫圈GB96.1-8EpZn-300HV	N	4	
17	4043000322	销轴LGB301-60*98*190G-40Cr	Y	2	
18	29240007781	前车架	Y	1	

车架
FRAME

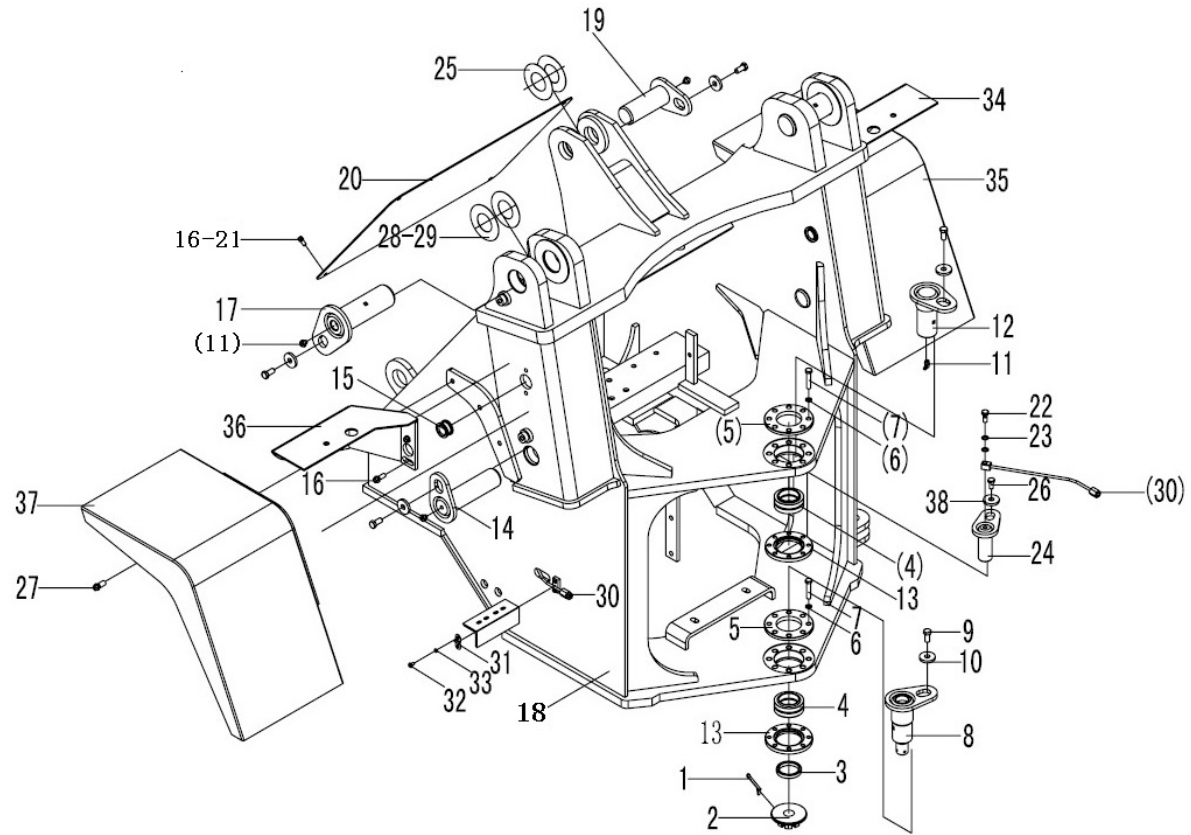


前车架总成 FRONT FRAME



序号 Key	零件代号 Part No.	名称 Description	是否配件 Spare parts Y/N	数量 Qty	备注 Remarks
19	4043000148	销轴LGB301-50*80*145G-40Cr	PIN LGB301-50*75*145-40Cr	Y	1
20	29250006571	前盖板	FRONT HOOD	Y	1
21	4011000102	螺栓GB5783-M8*16EpZn-8.8	BOLT GB5783-M8*16EpZn-8.8	N	4
22	29250000291	通油螺栓	BOLT	Y	2
23	29250000301	垫片	WASHER	Y	4
24	29250007971	前转向销轴	PIN	Y	2
25	4043000067	垫片LGB303-50*100*1	SPACER LGB303-50*100*1	Y	2
26	4011000081	螺栓GB5783-M10*20EpZn-8.8	BOLT GB5783-M10*20EpZn-8.8	N	2
27	4011000560	螺栓GB16674-M12*25EpZn-8.8	BOLT GB16674-M12*25EpZn-8.8	N	10
28	4043000151	垫片LGB303-60*120*1	SPACER LGB303-60*120*1	Y	4
29	4043000141	垫片LGB303-60*120*2	SPACER LGB303-60*120*2	Y	4
30	29250006581	转向销油管	OIL TUBE FOR PIN	Y	2
31	29250000311	管卡	Plate	Y	2
32	4014000024	螺钉GB818-M6*10EpZn-4.8	SCREW GB818-M6*10EpZn-4.8	N	4
33	4015000035	垫圈GB93-6-65Mn	WASHER GB93-6-65Mn	N	4
34	29250006591	右灯架	RIGHT BRACKET OF LAMP	Y	1
35	29250006601	右前挡泥瓦	RIGHT FRONT FENDER	Y	1
36	29250006611	左灯架	LEFT BRACKET OF LAMP	Y	1

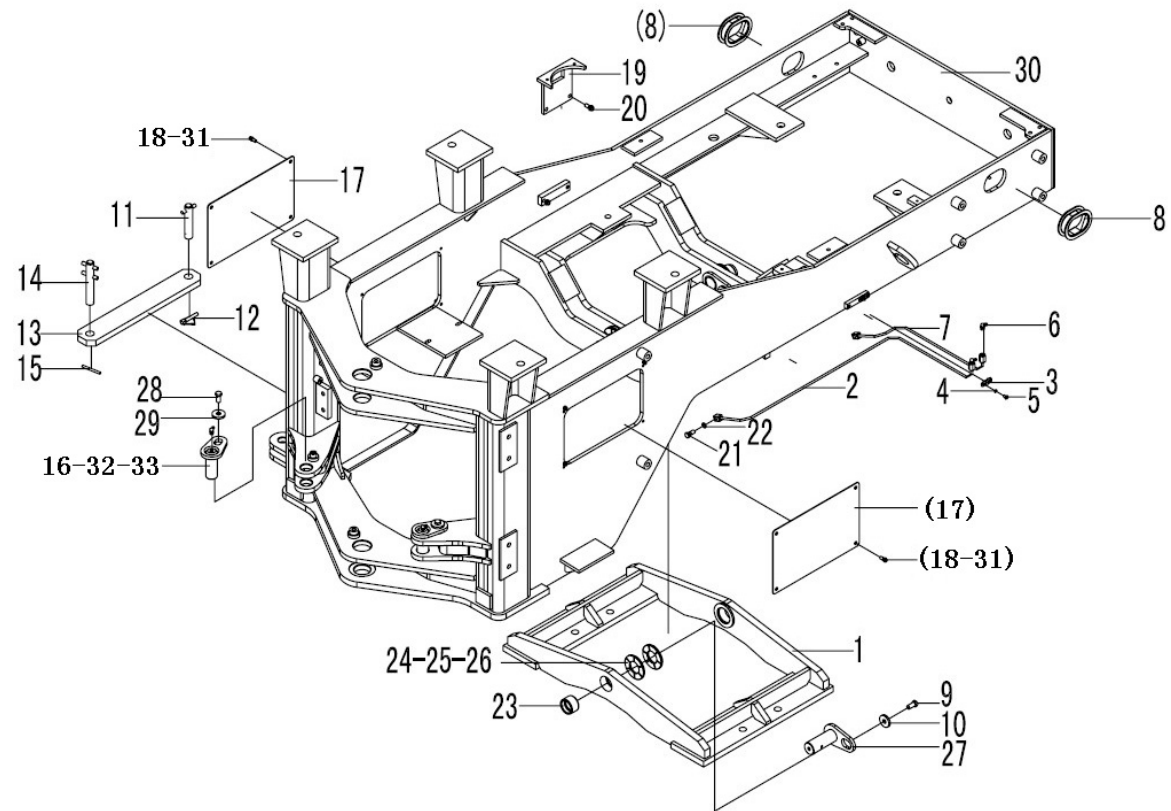
前车架总成 FRONT FRAME



序号 Key	零件代号 Part No.	名称 Description	是否配件 Spare parts Y/N	数量 Qty	备注 Remarks
37	29250006621	左前挡泥瓦	Y	1	
38	4040000008	垫圈LGB001-10	Y	2	



后车架总成 REAR FRAME ASSEMBLY

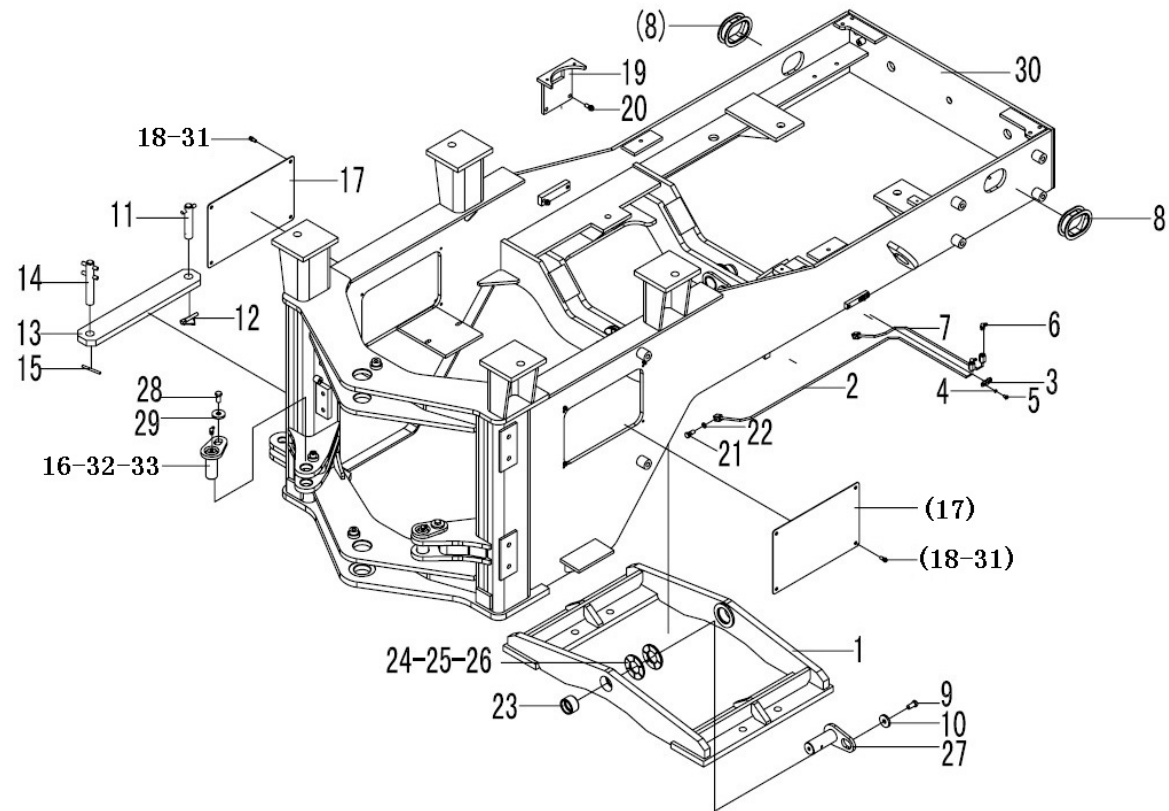


序号 Key	零件代号 Part No.	名称 Description	是否配件 Spare parts Y/N	数量 Qty	备注 Remarks
1	29270008621	副车架 OSCILLATING FRAME	Y	1	
2	29270006582	副车架前油管 FRONT OIL TUBE OF SOCILLATING FRAME	Y	1	
3	29250000311	管卡 Plate	Y	2	
4	4015000035	垫圈GB93-6-65Mn WASHER GB93-6-65Mn	N	4	
5	4014000024	螺钉GB818-M6*10EpZn-4.8 SCREW GB818-M6*10EpZn-4.8	N	4	
6	4030000065	油杯JB7940.1-M10*1 GREASE NIPPLE JB7940.1-M10*1	Y	4	
7	29270006601	副车架后油管 REAR OIL TUBE OF SOCILLATING FRAME	Y	1	
8	29270009101	走线胶套 RUBBER SLOEVE	Y	2	
9	4011000087	螺栓GB5783-M12*20EpZn-8.8 BOLT GB5783-M12*20EpZn-8.8	N	2	
10	4040000001	垫圈LGB001-12 WASHER LGB001-12*45*6	Y	2	
11	29270006651	锁定杆前销轴 FRONT PIN OF MOUNT BAR	Y	1	
12	29270000081	卡环 HOLDING RING	Y	1	
13	29270006671	锁定杆 MOUNT BAR	Y	1	
14	29270006681	锁定杆后销轴 REAR PIN OF MOUNT BAR	Y	1	
15	4016000194	开口销GB91-8*50EpZn-Q235A SPLIT PIN GB91-8*50EpZn-Q235A	Y	1	
16	29250007971	前转向销轴 PIN	Y	2	
17	29270006701	盖板 COVER PLATE	Y	2	
18	4011000102	螺栓GB5783-M8*16EpZn-8.8 BOLT GB5783-M8*16EpZn-8.8	N	8	

车架
FRAME

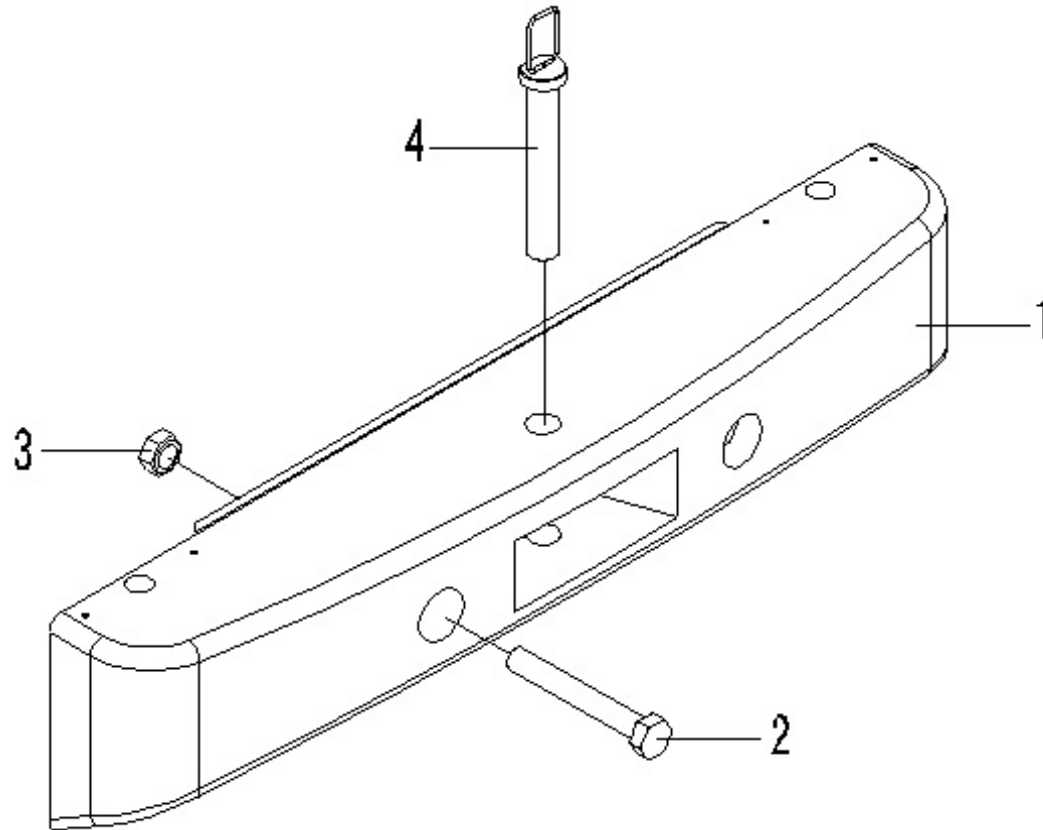


后车架总成 REAR FRAME ASSEMBLY



序号 Key	零件代号 Part No.	名称 Description	是否配件 Spare parts Y/N	数量 Qty	备注 Remarks
19	29270006711	机油滤清器支架	BRACKET	Y	1
20	4011000447	螺栓GB16674-M10*20EpZn-8.8	BOLT GB16674-M10*20EpZn-8.8	N	2
21	29250000291	通油螺栓	BOLT	Y	2
22	29250000301	垫片	WASHER	Y	4
23	29270006741	套	BUSH	Y	2
24	29270006751	调整垫片	ADJUST SPACER	Y	2
25	29270006761	调整垫片	ADJUST SPACER	Y	2
26	29270006771	调整垫片	ADJUST SPACER	Y	2
27	4043000143	销轴LGB301-40*70R*110-40Cr	PIN LGB301-40*70R*110-40Cr	Y	2
28	4011000081	螺栓GB5783-M10*20EpZn-8.8	BOLT GB5783-M10*20EpZn-8.8	N	2
29	4040000008	垫圈LGB001-10	WASHER LGB001-10	Y	2
30	29260014181	后车架	rear frame	Y	1
31	4015000256	垫圈GB96.1-8EpZn-300HV	WASHER GB96.1-8EpZn-300HV	N	8
32	4043000326	垫片LGB303-35*60*1	WASHER LGB303-35*60*1	Y	4
33	4043000327	垫片LGB303-35*60*2	WASHER LGB303-35*60*2	Y	4

配重铁总成 COUNTER WEIGHT



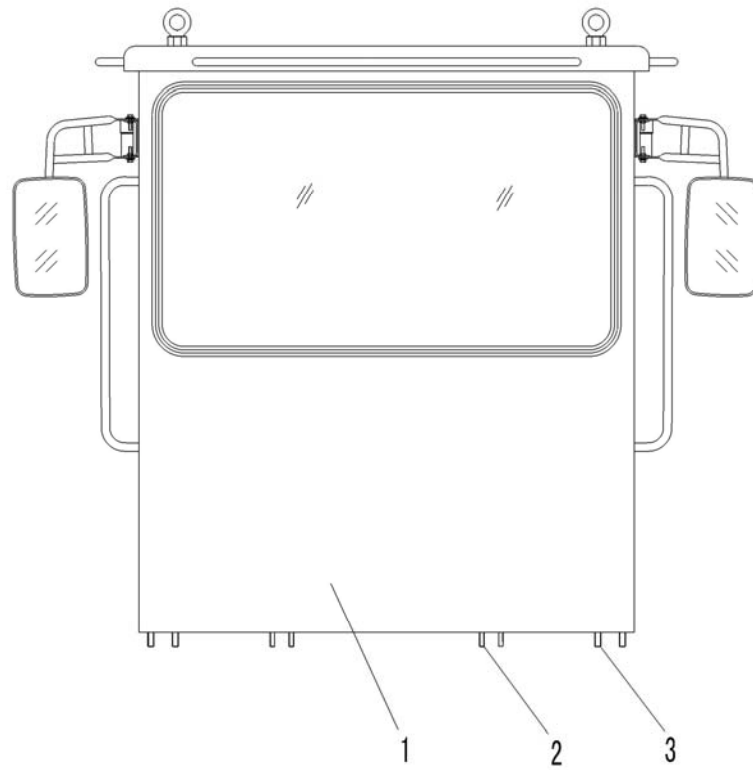
序号 Key	零件代号 Part No.	名称 Description	是否配件 Spare parts Y/N	数量 Qty	备注 Remarks
1	29280008081	后平衡铁 REAR COUNTER WEIGHT	Y	1	
2	4011000120	螺栓GB5785-M30*2*215EpZn-8.8 BOLT GB5783-M30*2*215-8.8	N	2	
3	4011000064	螺栓GB5782-M12*50EpZn-8.8 BOLT GB5782-M12*50EpZn-8.8	N	2	
4	29280006531	牵引销 TRACTIVE PIN	Y	1	



L 驾驶室
CAB GROUP

山东临工工程机械有限公司
SHANDONG LINGONG CONSTRUCTION MACHINERY CO.,LTD.

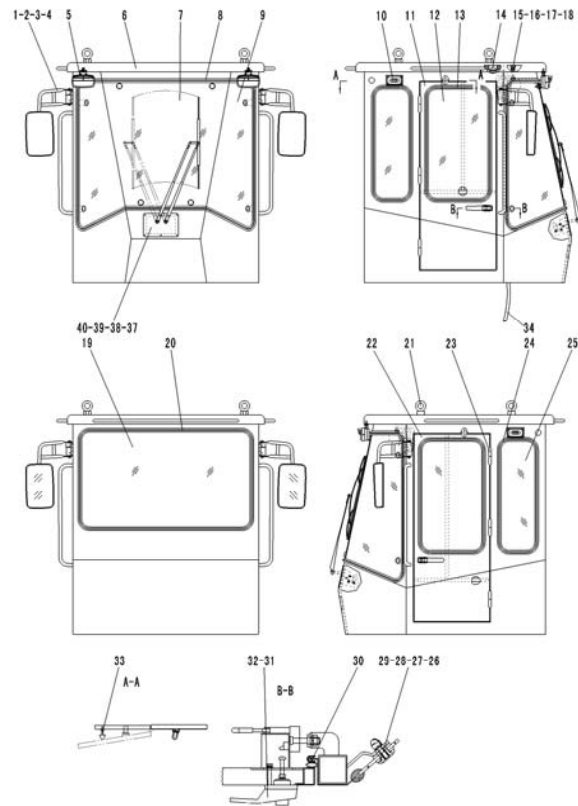
驾驶室总成 CAB ASSEMBLY



序号 Key	零件代号 Part No.	名称 Description	是否配件 Spare parts Y/N	数量 Qty	备注 Remarks
1	29290009821	驾驶室LG918 CAB LG918	Y	1	
2	4011000477	螺栓GB16674-M12*35EpZn-8.8 BOLT GB16674-M12*35EpZn-8.8	N	4	
3	4011000449	螺栓GB16674-M16*35EpZn-8.8 BOLT GB16674-M16*35EpZn-8.8	N	6	

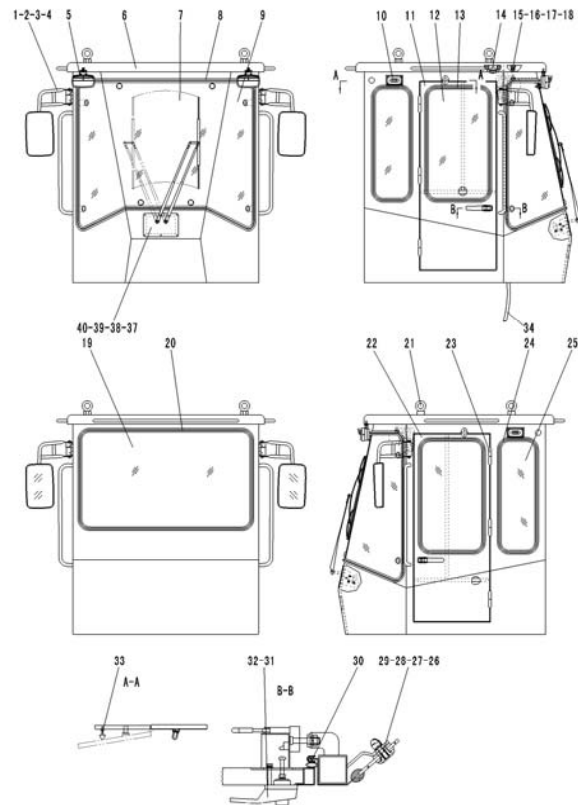


驾驶室 CAB



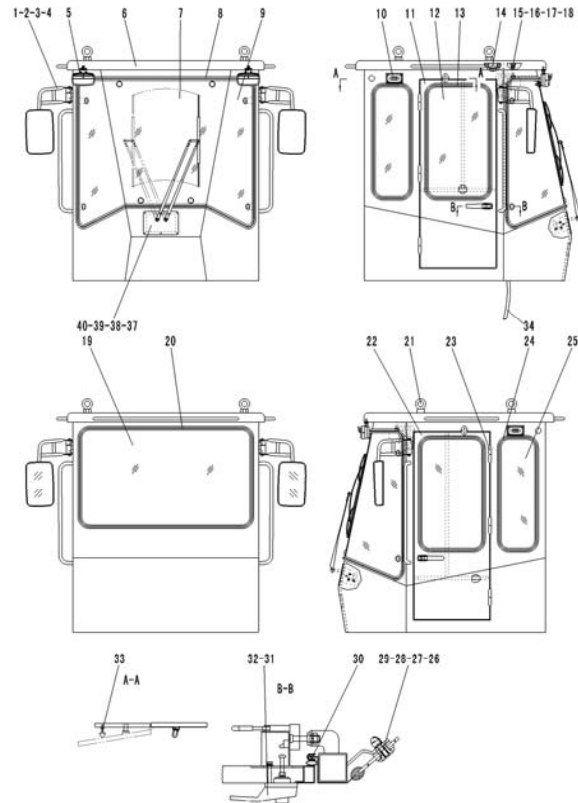
序号 Key	零件代号 Part No.	名称 Description	是否配件 Spare parts Y/N	数量 Qty	备注 Remarks
1	4190000575	倒车镜总成	BACK UP GLASS GROUP	Y	2
2	4011000105	螺栓GB5783-M8*20EpZn-8.8	BOLT GB5783-M8*20EpZn-8.8	N	4
3	4015000036	垫圈GB93-8-65Mn	WASHER GB93-8-65Mn	N	4
4	4015000072	垫圈GB97.1-8EpZn-300HV	WASHER GB97.1-8EpZn-300HV	N	4
5	4190000586	工作灯	WORKING LAMP	Y	2
6	4190001614	驾驶室框架	CAB GROUP	N	1
7	4190001005	前玻璃	FRONT GLASS	Y	1
8	4190001006	前玻璃密封条	FRONT GLASS SEAL	Y	1
9	4190001007	前侧玻璃	FRONT SIDE GLASS	Y	2
10	4190000595	反锁NBS510	COUNTER LOCK NBS510	Y	2
11	4190001629	右门总成	RIGHT DOOR ASSEMBLY	Y	1
12	4190000733	门玻璃	DOOR GLASS	Y	2
13	4190000734	门玻璃密封条	DOOR GLASS SEAL	Y	2
14	4190000578	顶灯	DOVE LAMP	Y	1
15	4190000608	电风扇	ELECTRIC FAN	Y	1
16	4014000063	螺钉GB818-M6*25EpZn-4.8	SCREW GB818-M6*25EpZn-4.8	N	3
17	4015000207	垫圈GB97.1-6EpZn-300HV	WASHER GB97.1-6EpZn-300HV	N	3
18	4015000035	垫圈GB93-6-65Mn	WASHER GB93-6-65Mn	N	3

驾驶室 CAB



序号 Key	零件代号 Part No.	名称 Description	是否配件 Spare parts Y/N	数量 Qty	备注 Remarks
19	4190000735	后玻璃	REAR GLASS	Y	1
20	4190000736	后玻璃密封条	REAR GLASS SEAL	Y	1
21	4014000028	螺钉GB825-M16EpZn-25	SCREW GB825-M16EpZn-25	N	4
22	4190000737	左门总成	LEFT DOOR ASSEMBLY	Y	1
23	4030000535	油杯JB7940.1-M6	OIL CUP JB7940.1-M6	N	5
24	4190000739	后侧玻璃密封条	REAR SIDE GLASS SEAL	Y	2
25	4190000738	后侧玻璃	REAR SIDE GLASS	Y	2
26	4190000587	M8注塑螺母帽	HAT	N	10
27	4190000588	玻璃吊点圆螺母	NUT	N	10
28	4190000589	玻璃吊点圆垫	ROUND PAD	N	20
29	4015000256	垫圈GB96.1-8EpZn-300HV	WASHER GB96.1-8EpZn-300HV	N	10
30	4190000742	933车门胶条	RUBBER	Y	2
31	4190000605	左开门锁	LEFT LOCK	Y	1
32	4190001758	右开门锁	RIGHT LOCK	Y	1
33	4190000596	上门缓冲碰头	CHECK OF UPPER GATE	Y	2
34	4190001613	驾驶室布线图	CAB WIRING	N	1
35	4190001009	LG918内饰总成	TRIM GROUP LG918	N	1
36	29260000321	电线环	WIRE	N	1

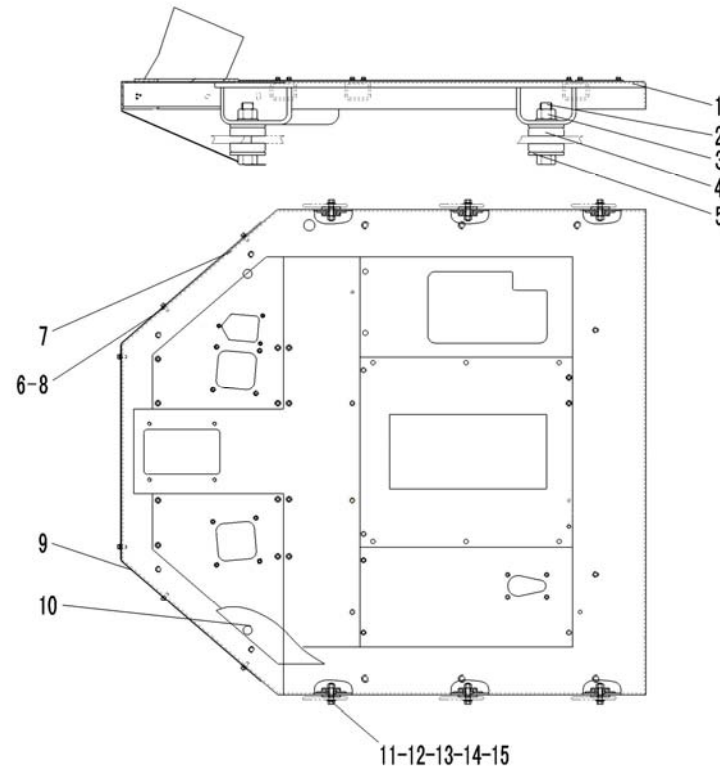
驾驶室 CAB



序号 Key	零件代号 Part No.	名称 Description	是否配件 Spare parts Y/N	数量 Qty	备注 Remarks
37	4190000652	LG952雨刮器总成	WIPER BUTTON ASSEMBLY LG952	Y	1
38	4190000600	M6螺母帽	HAT	N	6
39	4190000767	LG952雨刮器盖板	WIPER BUTTON PLATE LG952	Y	1
40	4011000289	螺栓GB5783-M6*16EpZn-8.8	BOLT GB5783-M6*16EpZn-8.8	N	6

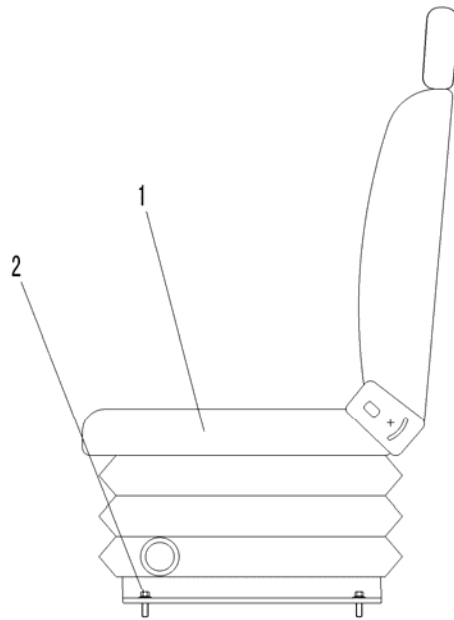


操作台架 OPERATE BENCH



序号 Key	零件代号 Part No.	名称 Description	是否配件 Spare parts Y/N	数量 Qty	备注 Remarks	
1	29310013681	台架	BENCH GROUP	Y	1	
2	4011000648	螺栓GB5782-M20*120EpZn-8.8	BOLT GB5782-M20*120EpZn-8.8	N	4	
3	4013000020	螺母GB6170-M20EpZn-8	NUT GB6170-M20EpZn-8	N	4	
4	29050000121	垫圈	WASHER	Y	8	
5	29050000101	减震块	SHOCK MOUNT	Y	8	
6	4015000256	垫圈GB96.1-8EpZn-300HV	WASHER GB96.1-8EpZn-300HV	N	6	
7	29310006812	右护板	RIGHT COVER SHEET	Y	1	
8	4011000105	螺栓GB5783-M8*20EpZn-8.8	BOLT GB5783-M8*20EpZn-8.8	N	6	
9	29310006852	左护板	LEFT COVER SHEET	Y	1	
10	29310010931	地板垫皮	PIN OF BOARDING	Y	1	
11	4011000467	螺栓GB16674-M12*45EpZn-8.8	BOLT GB16674-M12*45EpZn-8.8	N	6	
12	4013000011	螺母GB6170-M12EpZn-8	NUT GB6170-M12 EpZn-8	N	6	
13	29310008711	压板	PRESS PLATE	Y	6	
14	29310008721	减振压块	DAMP BLOCK	Y	6	
15	29310008731	减振垫主体	DAMP BLOCK CUSHION	Y	6	

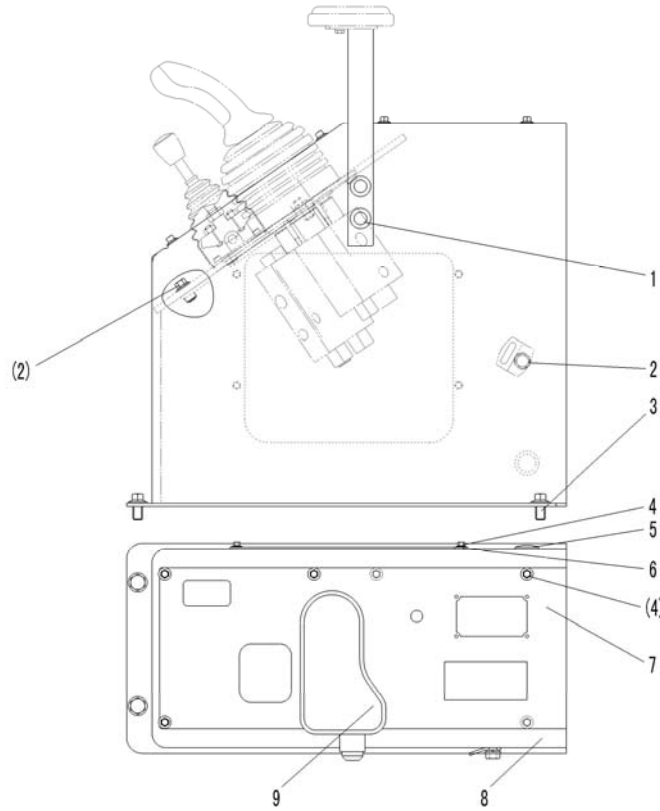
座椅总成 SEAT ASSEMBLY



序号 Key	零件代号 Part No.	名称 Description	是否配件 Spare parts Y/N	数量 Qty	备注 Remarks
1	419000072	座椅CS-B DRIVER SEAT CS-B	Y	1	
2	4011000458	螺栓GB16674-M8*20EpZn-8.8 BOLT GB16674-M8*20Ep.Zn-8.8	N	4	



操纵箱总成 OPERATE CASE



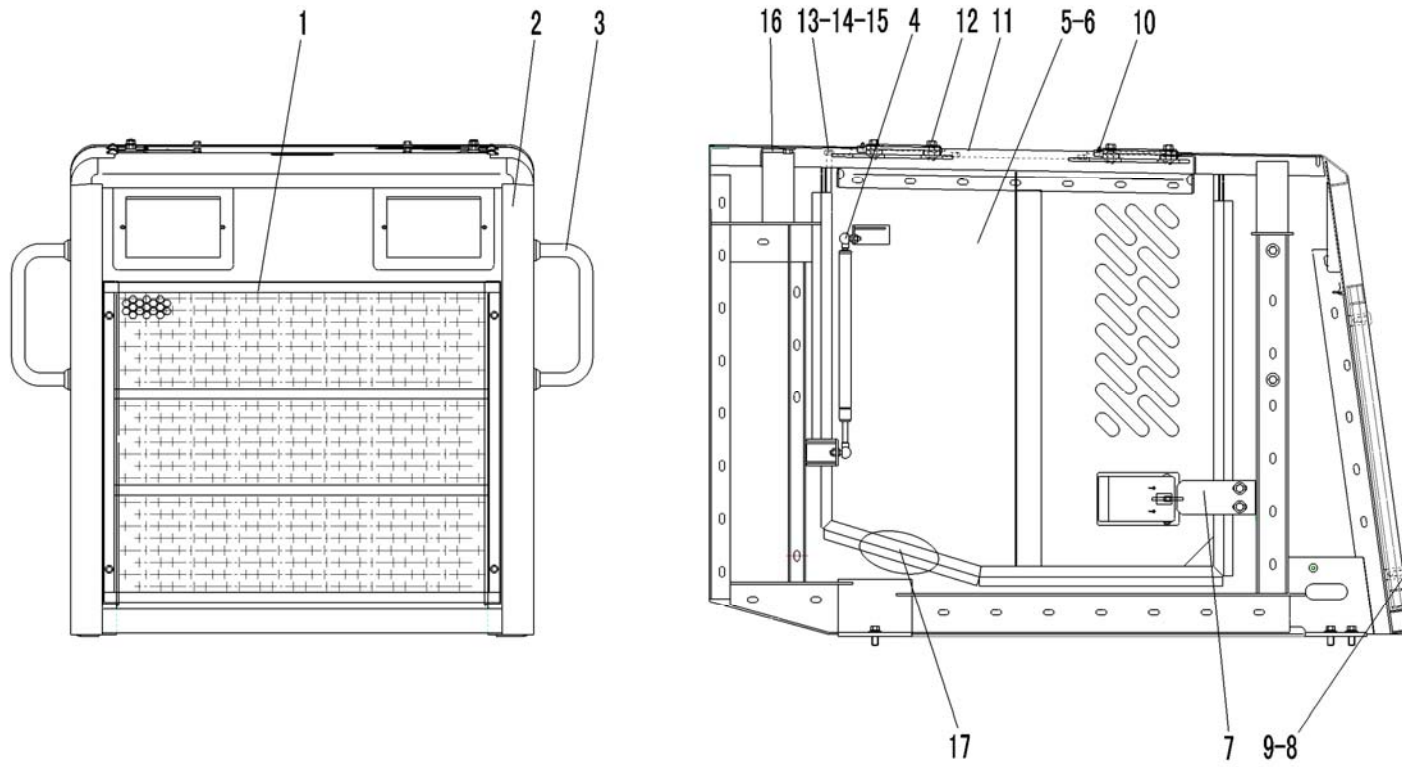
序号 Key	零件代号 Part No.	名称 Description	是否配件 Spare parts Y/N	数量 Qty	备注 Remarks
1	29320000211	紧定螺栓 BOLT	N	2	
2	4011000474	螺栓GB16674-M10*25EpZn-8.8 BOLT GB16674-M10*25EpZn-8.8	N	5	
3	4011000560	螺栓GB16674-M12*25EpZn-8.8 BOLT GB16674-M12*25EpZn-8.8	N	3	
4	4011000153	螺栓GB16674-M6*16EpZn-8.8 BOLT GB16674-M6*16EpZn-8.8	N	12	
5	29320008221	橡胶盖 RUBBER COVER	Y	1	
6	29320000061	盖板 COVER PLATE	Y	1	
7	29320009561	上盖板 UPPER COVER PLATE	Y	1	
8	29320008751	操纵箱体 CABLE CASE	Y	1	
9	29320006611	支承座 FULCRUM BEARING	Y	1	



M 覆盖件系统
CONVER SYSTEM

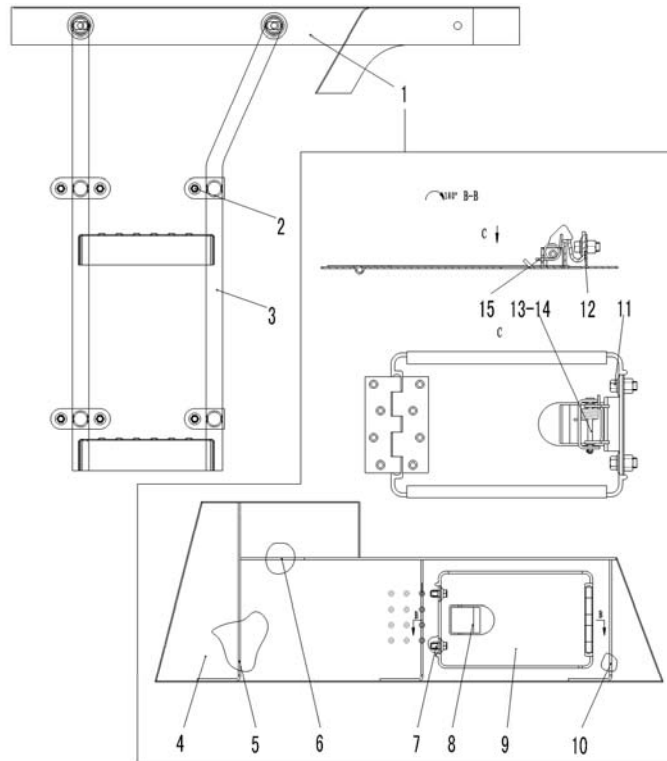
山东临工工程机械有限公司
SHANDONG LINGONG CONSTRUCTION MACHINERY CO.,LTD.

发动机罩总成 ENGINE HOOD ASSEMBLY



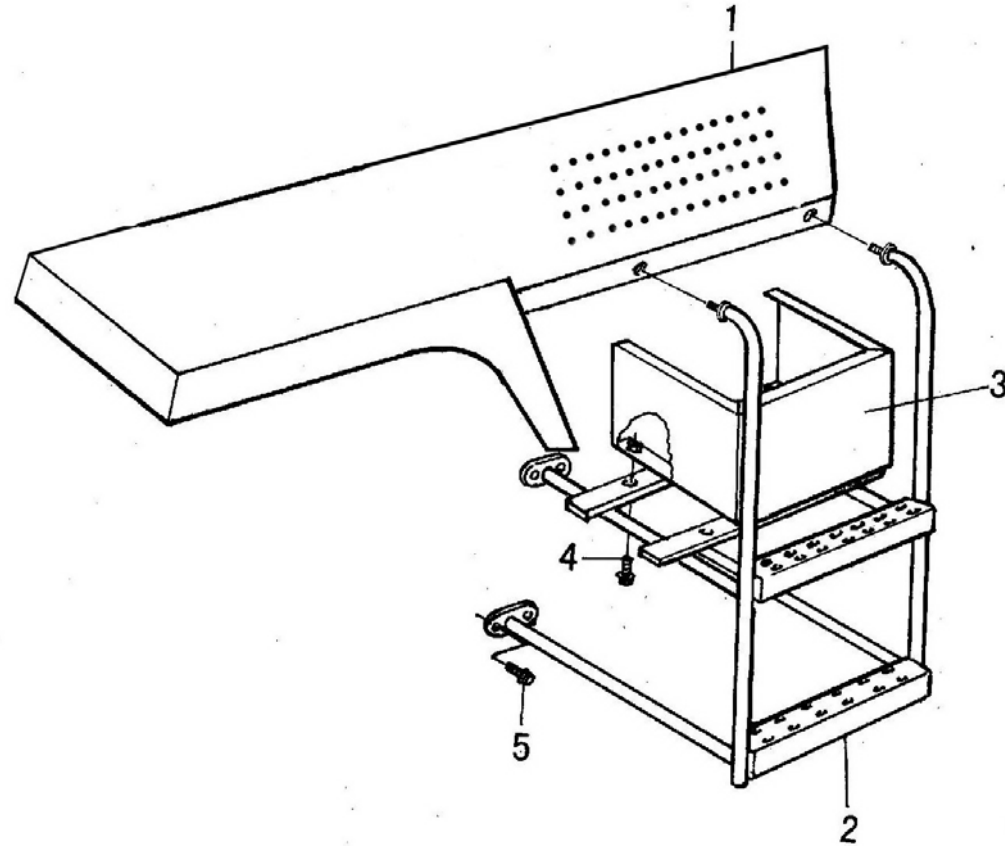
序号 Key	零件代号 Part No.	名称 Description	是否配件 Spare parts Y/N	数量 Qty	备注 Remarks
1	29330014811	窗棂	Y	1	
2	29330019411	发动机罩	N	1	
3	29330011961	扶手	Y	2	
4	29330006541	气弹簧	Y	2	
5	29330019201	左侧门	Y	1	
6	29330019211	右侧门	Y	1	
7	29330019391	后卡板	N	2	
8	4014000033	螺钉GB70.1-M8*16EpZn-8.8	N	4	
9	29330009752	橡胶塞	N	1	
10	4030000535	油杯JB7940.1-M6	N	4	
11	29330010461	减震垫	Y	2	
12	4011000560	螺栓GB16674-M12*25EpZn-8.8	N	22	
13	4011000081	螺栓GB5783-M10*20EpZn-8.8	N	4	
14	4015000162	垫圈GB97.1-10EpZn-300HV	N	4	
15	29330010451	减震垫	Y	2	
16	29330010471	减震垫	Y	2	
17	4030000310	GB7526-790卡子胶条	Y	2	
18	29330019401	发动机罩	Y	1	

左台架总成 LEFT BENCH GROUP



序号 Key	零件代号 Part No.	名称 Description	是否配件 Spare parts Y/N	数量 Qty	备注 Remarks
1	29340006691	左顶板	LEFT ROOF ASSEMBLY	Y	1
2	4011000560	螺栓GB16674-M12*25EpZn-8.8	BOLT GB16674-M12*25EpZn-8.8	N	8
3	29340006711	左扶梯	LEFT LADDER	N	1
4	29340006701	左顶板	LEFT ROOF	N	1
5	29340006571	加固板	GUSSET PLATE	N	1
6	29340006551	连接板	PLATE	N	1
7	4013000126	螺母GB889.2-M12*1.25EpZn-8	NUT GB889.2-M12*1.25EpZn-8	N	2
8	29340000991	扳手	SPANNER	Y	1
9	29340001051	门板	PLATE	Y	1
10	29340006561	加固板	GUSSET PLATE	N	2
11	4011000560	螺栓GB16674-M12*25EpZn-8.8	BOLT GB16674-M12*25EpZn-8.8	N	2
12	29340000981	挡板	BACK PLATE	Y	1
13	4016000140	销轴GB882-B6*70EpZn-35	PIN ROLL GB882-B6*70EpZn-35	N	1
14	4016000114	销GB91-2*16EpZn-Q235A	PIN GB91-2*16EpZn-Q235A	N	1
15	29340001001	弹簧	SPRING	Y	1

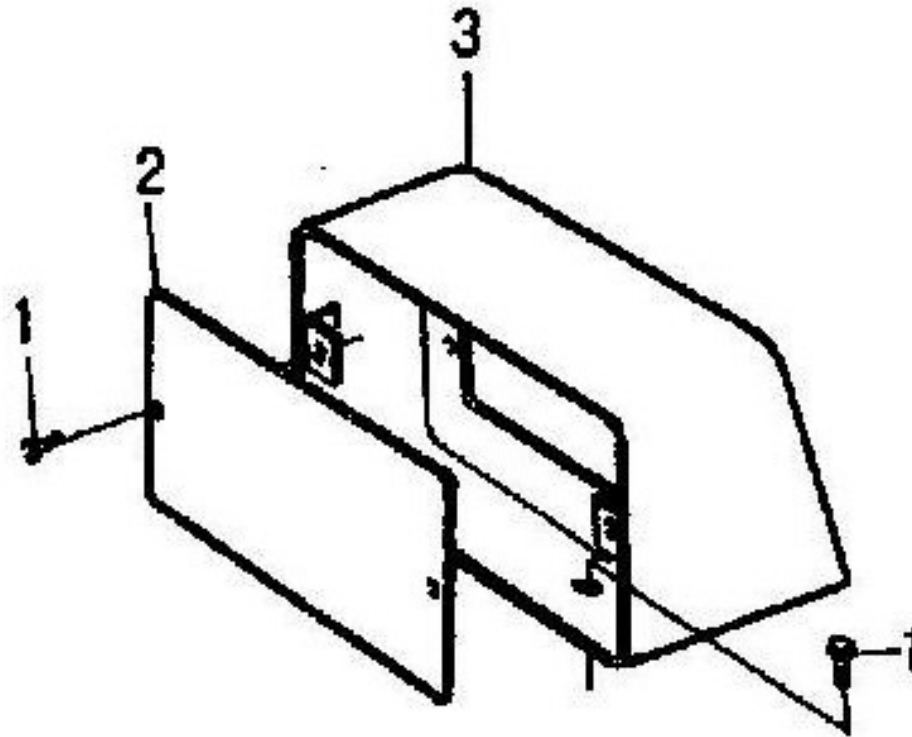
右台架总成 RIGHT BENCH GROUP



序号 Key	零件代号 Part No.	名称 Description	是否配件 Spare parts Y/N	数量 Qty	备注 Remarks
1	29340006531	右顶板	RIGHT ROOF	Y	1
2	29340006581	右扶梯	RIGHT LADDER	Y	1
3	29340006661	储气罐罩	HOOD OF AIR RESEVIOR	Y	1
4	4011000474	螺栓GB16674-M10*25EpZn-8.8	BOLT GB16674-M10*25EpZn-8.8	N	4
5	4011000560	螺栓GB16674-M12*25EpZn-8.8	BOLT GB16674-M12*25EpZn-8.8	N	10



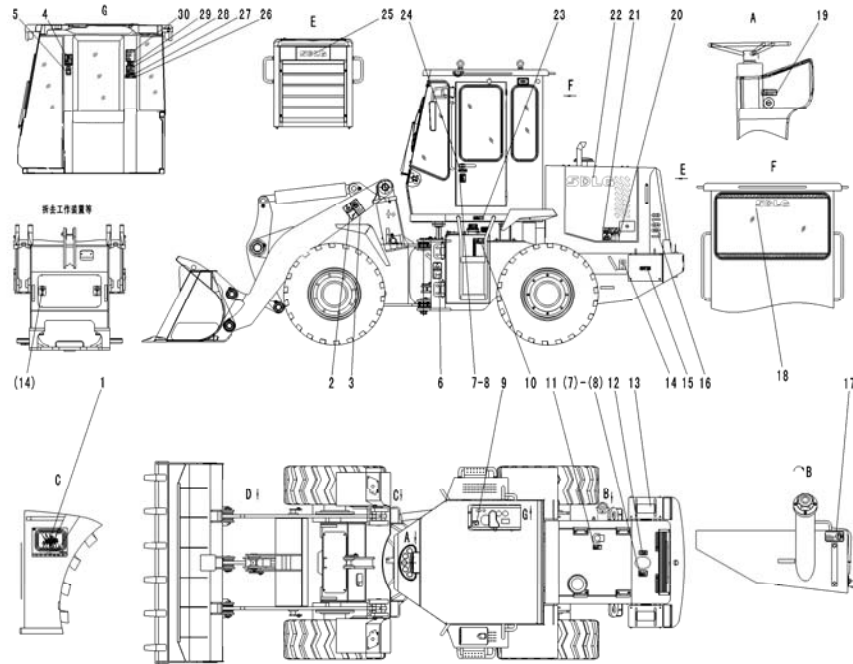
后灯罩 REAR LAMP HOOD



序号 Key	零件代号 Part No.	名称 Description	是否配件 Spare parts Y/N	数量 Qty	备注 Remarks	
1	29340006972	灯架	LAMP FRAME	Y	1	
2	29340006961	后板	REAR PLATE	Y	1	
3	4011000461	螺栓GB16674-M8*16EpZn-8.8	BOLT GB16674-M8*16EpZn-8.8	N	4	

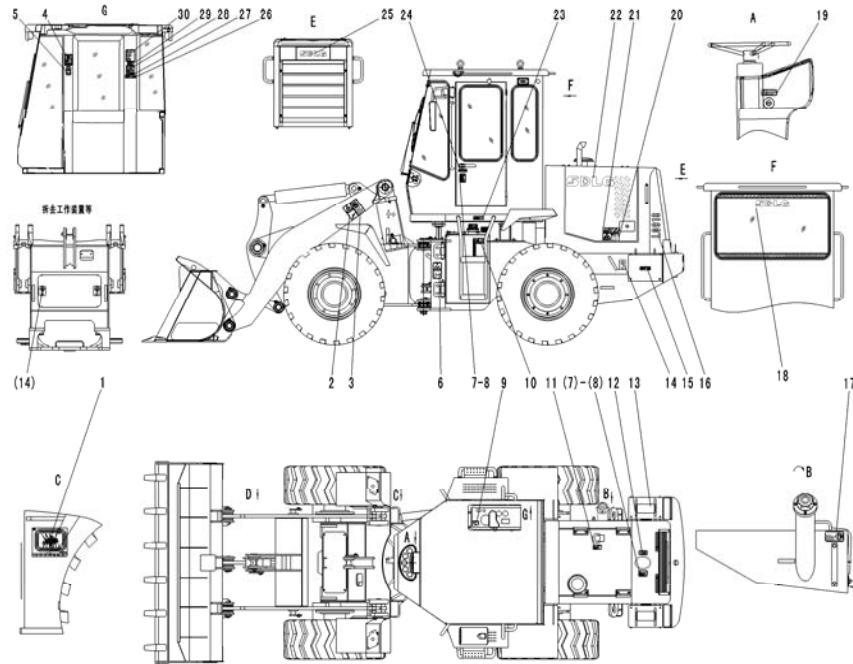


标志与标识 SIGN AND LOGO



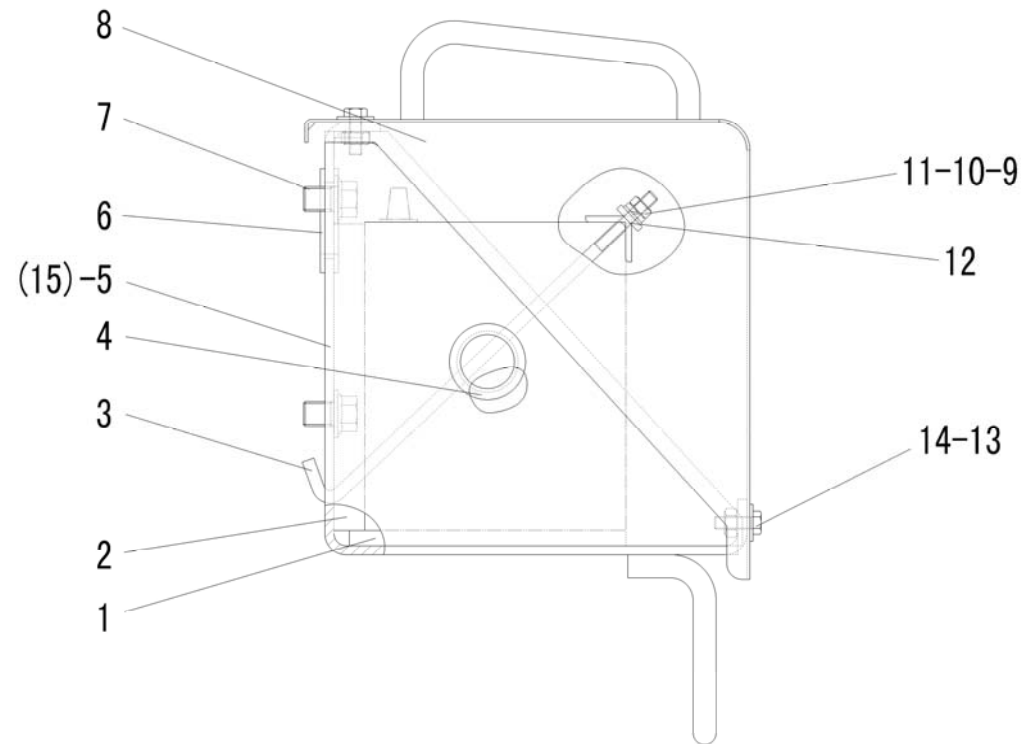
序号 Key	零件代号 Part No.	名称 Description	是否配件 Spare parts Y/N	数量 Qty	备注 Remarks
1	29360009511	润滑示意图	N	1	
2	29360008741	提升臂位置安全标志	N	2	
3	29360009151	严禁站人标志	N	2	
4	29360009231	规避翻滚标志	N	1	
5	4044000073	标志LGB401-D05	N	1	
6	29360008781	铰接转向图形标志	N	2	
7	29360010631	防冻液标志—35	N	2	
8	29360010641	防冻液标志—45	N	2	
9	4044000071	装载机工作装置操纵指示标志2 LGB401-G03	N	1	
10	29360009171	液压油箱标志	N	1	
11	29360009181	高温警告标志	N	1	
12	26360000121	高温油和水的注意标志	N	1	
13	29360007852	防滑垫	N	2	
14	4044000018	起吊标志LGB401-F01	N	4	
15	29360009191	禁止明火标志	N	1	
16	29360012041	LG918机型标识	N	2	
17	4044000054	燃油箱标志LGB401-F03/E	N	1	
18	29360011841	SGLG-350（网孔）	N	1	

标志与标识 SIGN AND LOGO



序号 Key	零件代号 Part No.	名称 Description	是否配件 Spare parts Y/N	数量 Qty	备注 Remarks
19	4044000052	启动开关警示标志LGB401-D04/E	N	1	
20	29360009211	机器回转警告标志	N	2	
21	29360009221	接触机器标志	N	2	
22	29360012061	SDLG-500	N	2	
23	29360009161	台架注意标志	N	2	
24	29360009531	驾驶室门注意标志	N	1	
25	29360012081	SDLG-270	N	1	
26	29360009541	电压危险标志	N	1	
27	29360009251	安全带警告标志	N	1	
28	29360009261	规避噪音标志	N	1	
29	29360009281	单独驾驶标志	N	1	
30	29360009291	启动前检查标志	N	1	
31	29360011981	标志与标识	Y	1	
32	29360011980011	安全标识包	Y	1	

左、右电瓶箱 LEFT AND RIGHT BATTERY CASE

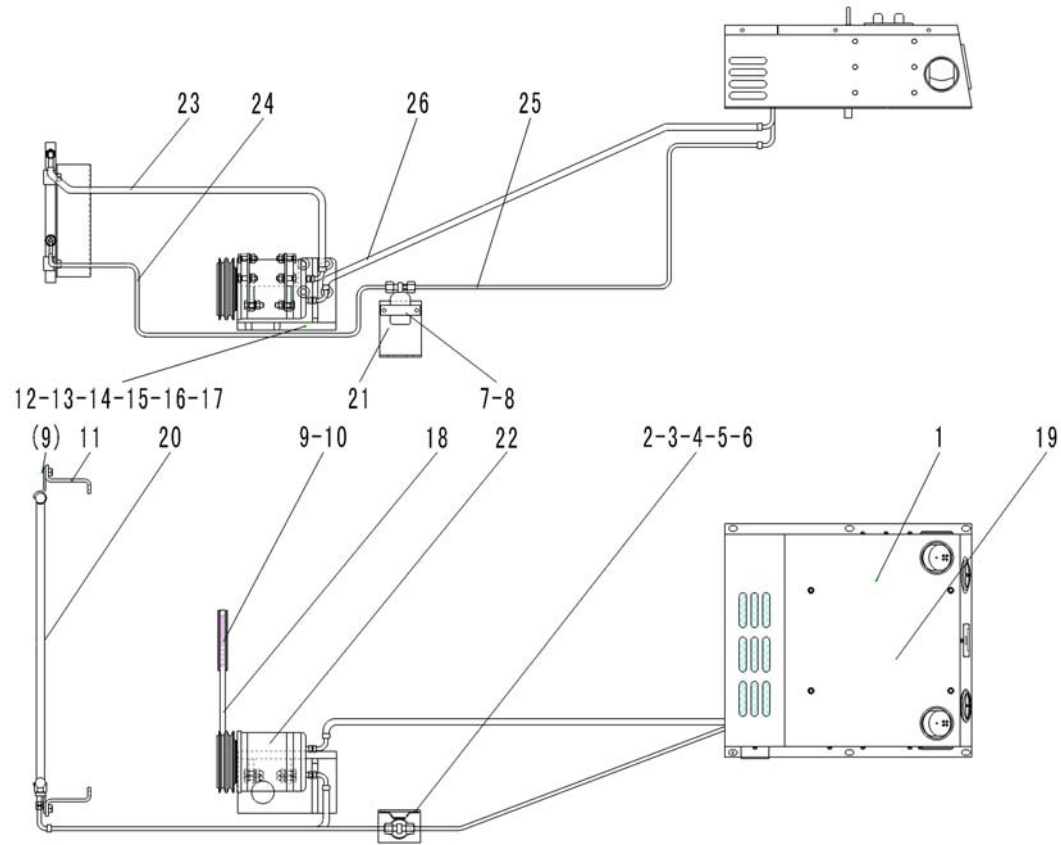


序号 Key	零件代号 Part No.	名称 Description	是否配件 Spare parts Y/N	数量 Qty	备注 Remarks
1	29340006821	下胶垫	Y	2	
2	29340006831	侧胶垫	Y	2	
3	29340006841	锁紧螺栓	Y	2	
4	29310000091	橡胶套	Y	1	
5	29340016231	左电瓶支撑	Y	1	
6	29340011901	走线胶套	Y	1	
7	4011000485	螺栓GB16674-M16*20EpZn-8.8	N	4	
8	29340016211	箱盖	Y	1	
9	4013000033	螺母GB6170-M8EpZn-8	N	2	
10	4015000036	垫圈GB93-8-65Mn	N	2	
11	4015000072	垫圈GB97.1-8EpZn-300HV	N	2	
12	29340006931	锁紧角钢	Y	1	
13	4011000105	螺栓GB5783-M8*20EpZn-8.8	N	4	
14	4015000256	垫圈GB96.1-8EpZn-300HV	N	4	
15	29340017301	右电瓶支撑	N	1	

N 空调系统
AIR CONDITIONER SYSTEM

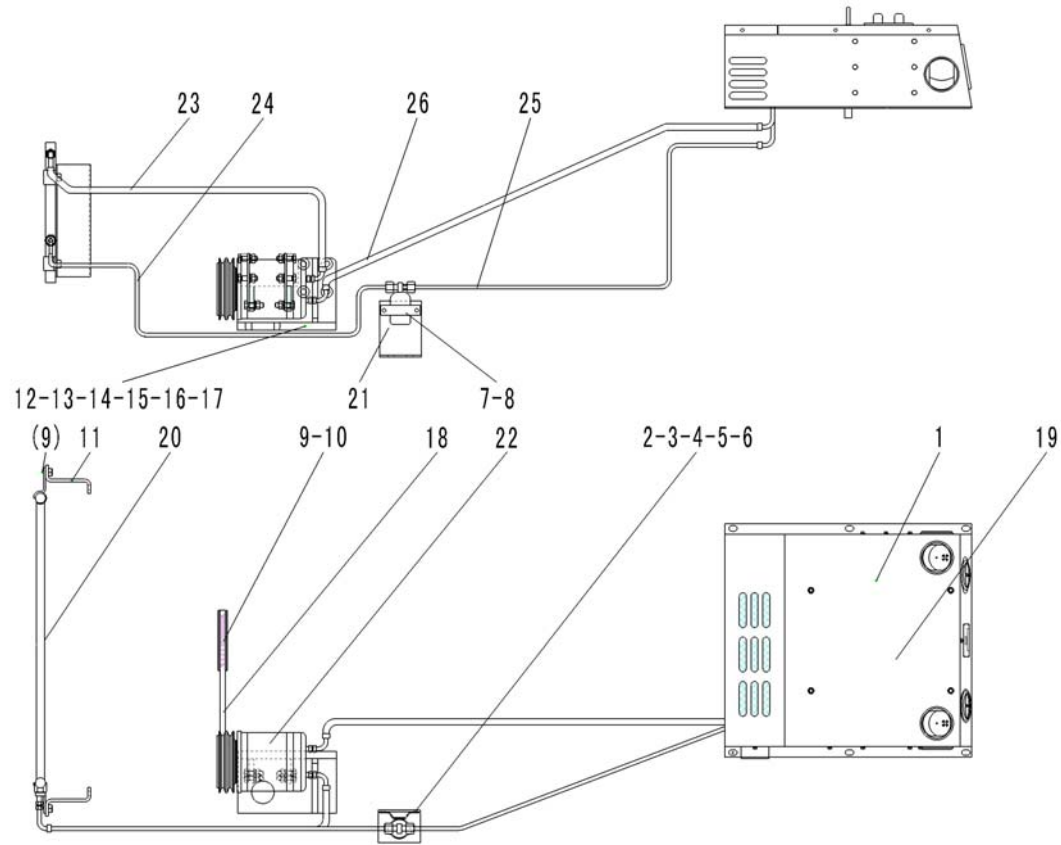
山东临工工程机械有限公司
SHANDONG LINGONG CONSTRUCTION MACHINERY CO.,LTD.

空调系统 AIR CONDITIONER SYSTEM



序号 Key	零件代号 Part No.	名称 Description	是否配件 Spare parts Y/N	数量 Qty	备注 Remarks
1	4190000475	ZG30L16空调器	AIR CONDITIONER ZG30L16	Y	1
2	4015000035	垫圈GB93-6-65Mn	WASHER GB93-6-65Mn	N	3
3	4013000028	螺母GB6170-M6EpZn-8	NUT GB6170-M6EpZn-8	N	3
4	4015000207	垫圈GB97.1-6EpZn-300HV	WASHER GB97.1-6EpZn-300HV	N	3
5	4011000154	螺栓GB16674-M6*20EpZn-8.8	BOLT GB16674-M6*20EpZn-8.8	N	2
6	4011000680	螺栓GB16674-M6*30EpZn-8.8	BOLT GB16674-M6*30EpZn-8.8	N	1
7	29350009461	储液器支架	EMPTY	Y	1
8	4011000474	螺栓GB16674-M10*25EpZn-8.8	BOLT GB16674-M10*25EpZn-8.8	N	2
9	4011000455	螺栓GB16674-M8*25EpZn-8.8	BOLT GB16674-M8*25EpZn-8.8	N	8
10	29350008872	带轮	BELT WHEEL	Y	1
11	29350009062	左冷凝器支架	BRACKET	Y	2
12	29350008151	支座	SUPPORT	Y	1
13	29350008861	托板	PLATE	Y	2
14	4011000085	螺栓GB5783-M10*35EpZn-8.8	BOLT GB5783-M10*35EpZn-8.8	N	8
15	4013000007	螺母GB6170-M10EpZn-8	NUT GB6170-M10EpZn-8	N	8
16	4015000162	垫圈GB97.1-10EpZn-300HV	WASHER GB97.1-10EpZn-300HV	N	8
17	4015000025	垫圈GB93-10-65Mn	WASHER GB93-10-65Mn	N	8
18	4110000369	皮带GB1171-A1090	BELT GB1171-A1090	Y	1

空调系统 AIR CONDITIONER SYSTEM

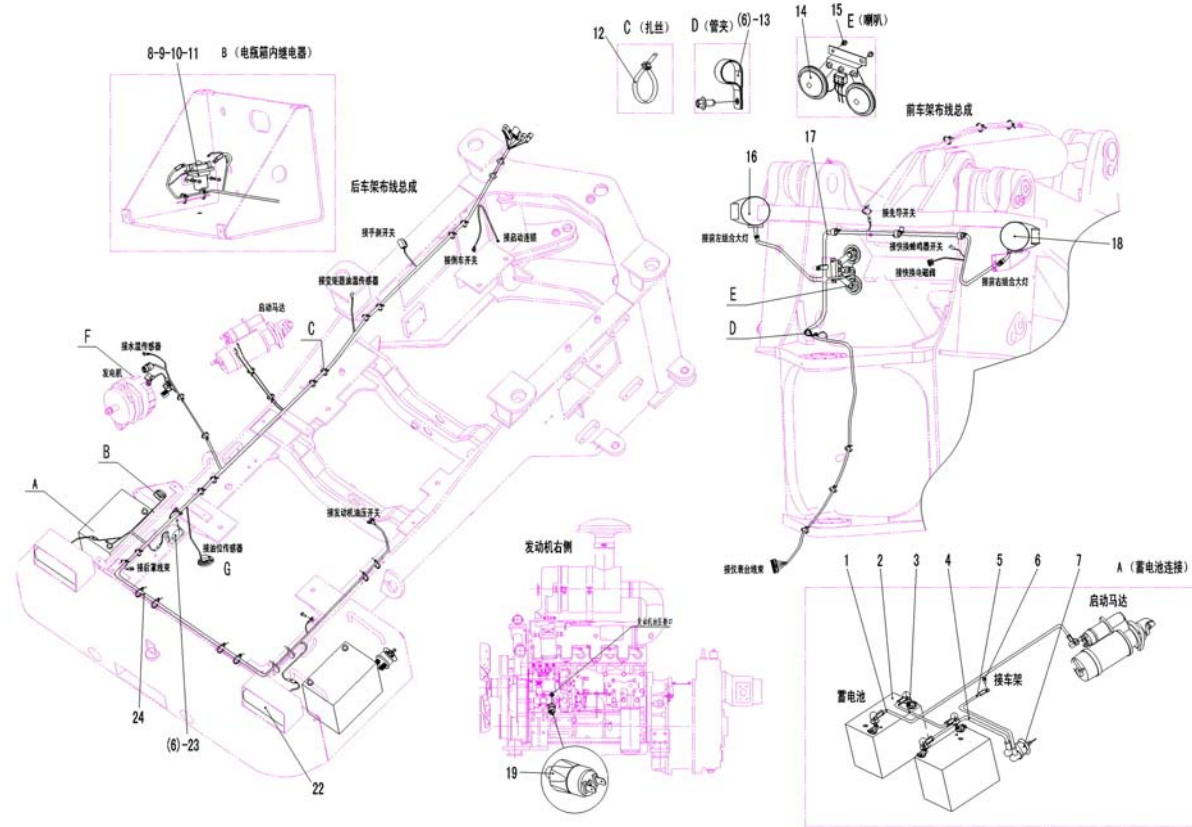


序号 Key	零件代号 Part No.	名称 Description	是否配件 Spare parts Y/N	数量 Qty	备注 Remarks
19	4190000476	ZGXM4.11蒸发器	EVAPORATOR	Y	1
20	4190000477	ZG30.05L13冷凝器	CONDENSATOR	Y	1
21	4130000419	ZG30.06XG储液罐	RECEIVER	Y	1
22	4130000420	SE5H14压缩机	COMPRESSOR ASSEMBLY	Y	1
23	4120001644	管路：压缩机-冷凝器03	PIPE COMPRESSOR-CONDENSATOR	Y	1
24	4120001645	管路：冷凝器-储液罐03	PIPE CONDENSER-RECEIVER	Y	1
25	4120001646	管路：储液罐-蒸发器03	PIPE RECEIVER-EVAPORATOR	Y	1
26	4120001647	管路：蒸发器-压缩机03	PIPE EVAPORATOR-COMPRESSOR	Y	1

0 电气系统
ELECTRIC SYSTEM

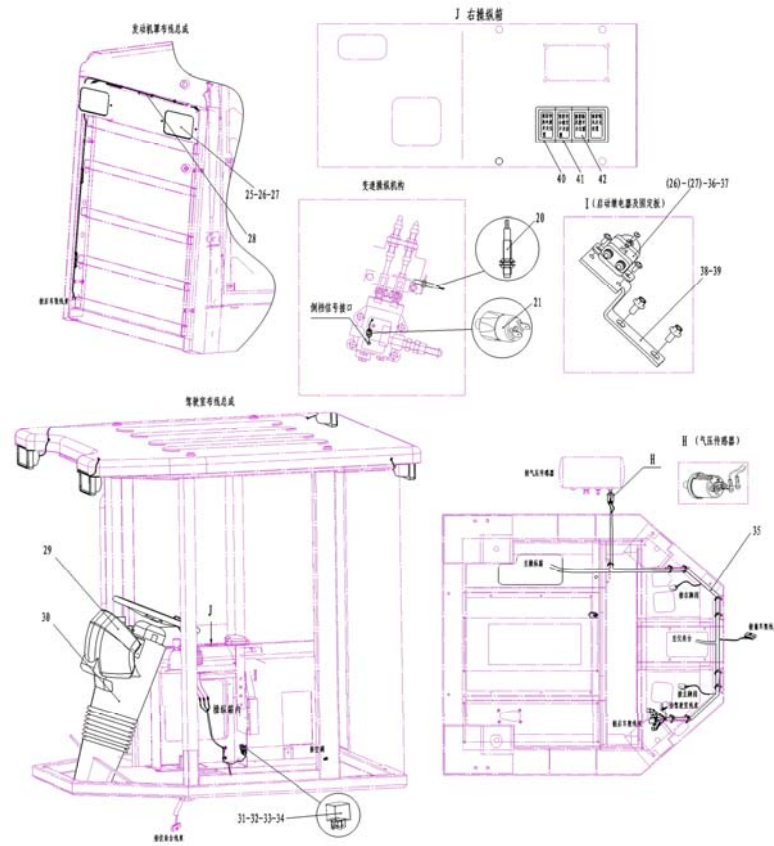
山东临工工程机械有限公司
SHANDONG LINGONG CONSTRUCTION MACHINERY CO.,LTD.

电气系统 ELECTRIC SYSTEM



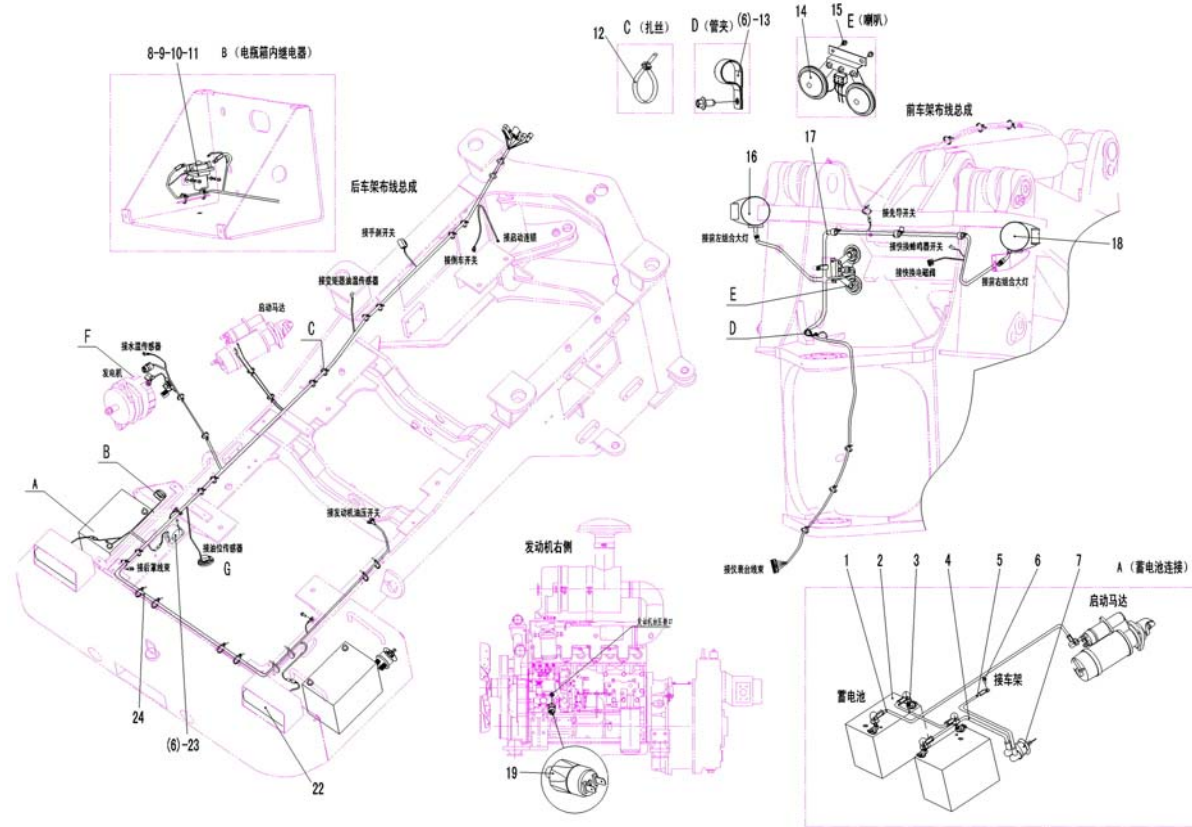
序号 Key	零件代号 Part No.	名称 Description	是否配件 Spare parts Y/N	数量 Qty	备注 Remarks
1	29370013661	起动马达线	Y	1	
2	4130000045	蓄电池6-QW-70	Y	2	
3	29370012521	蓄电池串联线	Y	1	
4	29370009341	蓄电池接地线	Y	1	
5	29370014391	电瓶线P50*600	Y	1	
6	4011000461	螺栓GB16674-M8*16EpZn-8.8	N	10	
7	4130000427	电源开关K01K18-A	Y	1	
8	4130000694	接触器MZJ-100A/006	Y	1	
9	4014000021	螺钉GB818-M4*12EpZn-4.8	N	2	
10	4015000135	垫圈GB97.1-4EpZn-300HV	N	2	
11	4015000033	垫圈GB93-4-65Mn	N	2	
12	4190000020	扎丝LG13-ZS4*250	Y	60	
13	26370001921	管夹	Y	5	
14	4130000009	双音盆形喇叭DL125-24V	Y	1	
15	4011000152	螺栓GB16674-M6*10EpZn-8.8	N	2	
16	4130000293	前左组合灯SP-003L	Y	1	
17	29370015651	前车架线束	Y	1	
18	4130000294	前右组合灯SP-003R	Y	1	

电气系统 ELECTRIC SYSTEM



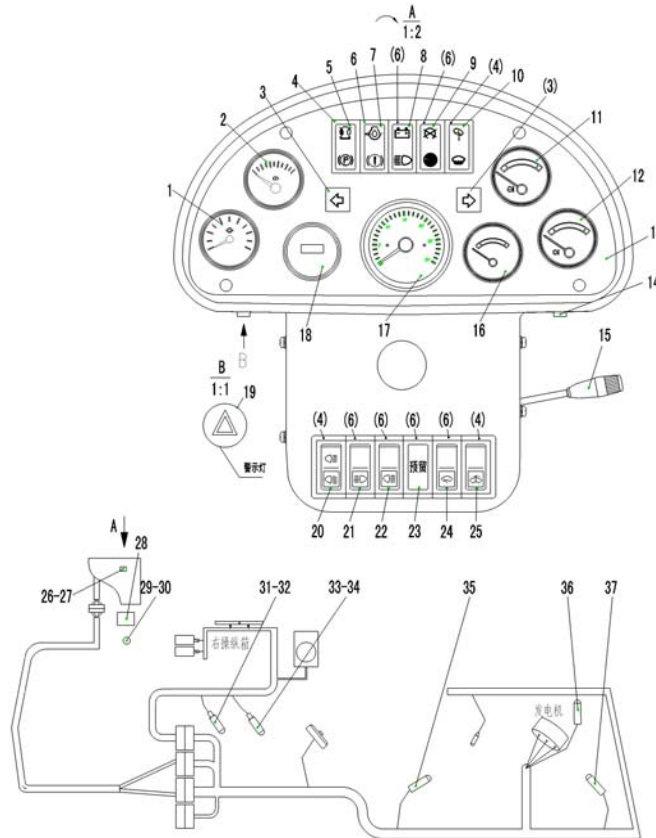
序号 Key	零件代号 Part No.	名称 Description	是否配件 Spare parts Y/N	数量 Qty	备注 Remarks
19	4130000412	压力开关PS31-FS0.8BARR	Y	1	
20	4130000326	接近开关WEK200-IV	Y	1	
21	4130000278	隔膜式压力开关310-LGK	Y	1	
22	4130000574	后尾灯XH8-124V	Y	2	
23	4130000121	倒车蜂鸣器KSHM-12F4	Y	1	
24	29370015271	后车架线束	Y	1	
25	4130000211	后大灯LRD-24V	Y	2	
26	4014000026	螺钉GB818-M6*16EpZn-4.8	N	6	
27	4015000207	垫圈GB97.1-6EpZn-300HV	N	6	
28	29370009131	后罩线束	Y	1	
29	29370015261	仪表盘总成YC18C	Y	1	
30	29370015801	仪表台总成	N	1	
31	4130000869	中间继电器024-1Z6GD2	Y	3	
32	4014000048	螺钉GB818-M5*12EpZn-4.8	N	3	
33	4015000110	垫圈GB97.1-5EpZn-300HV	N	3	
34	4015000034	垫圈GB93-5-65Mn	N	3	
35	29370015281	仪表台线束	Y	1	
36	4130000873	启动继电器SW030A3509-1	Y	1	

电气系统 ELECTRIC SYSTEM



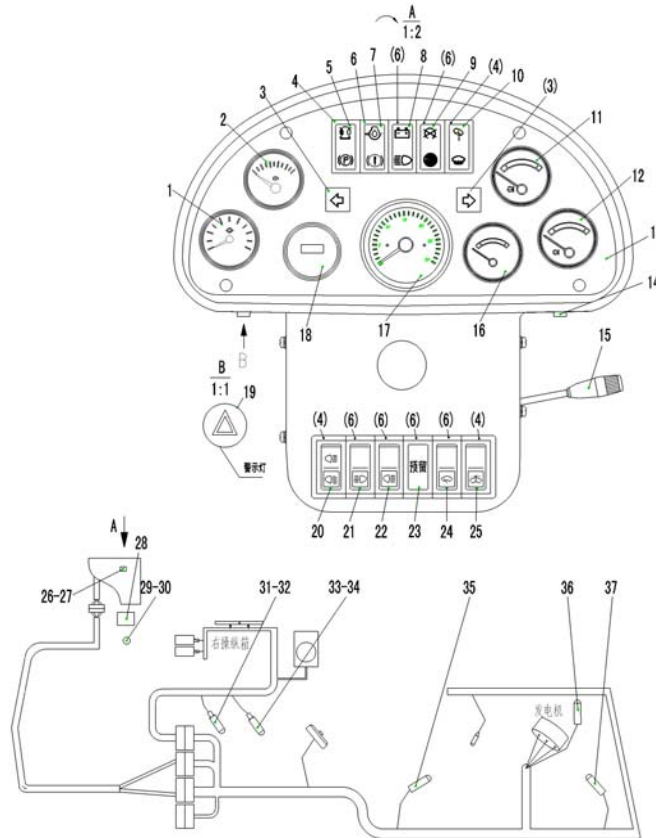
序号 Key	零件代号 Part No.	名称 Description	是否配件 Spare parts Y/N	数量 Qty	备注 Remarks
37	4015000035	垫圈GB93-6-65Mn	WASHER GB93-6-65Mn	N	2
38	29370015531	启动继电器固定板	FIXED PLATE OF STARTUP RELAY	Y	1
39	4011000137	螺栓GB16674-M12*20EpZn-8.8	BOLT GB16674-M12*20EpZn-8.8	N	2
40	4130000498	侧边单框架JK931-01CKJ	SIDE FRAME JK931-01CKJ	Y	2
41	4130000497	中间单框架JK931-01ZKJ	MIDDLE FRAME JK931-01ZKJ	Y	2
42	4130000496	盖板JK931-01GB	CAP JK931-01GB	Y	4

仪表盘总成 PANEL ASSEMBLY



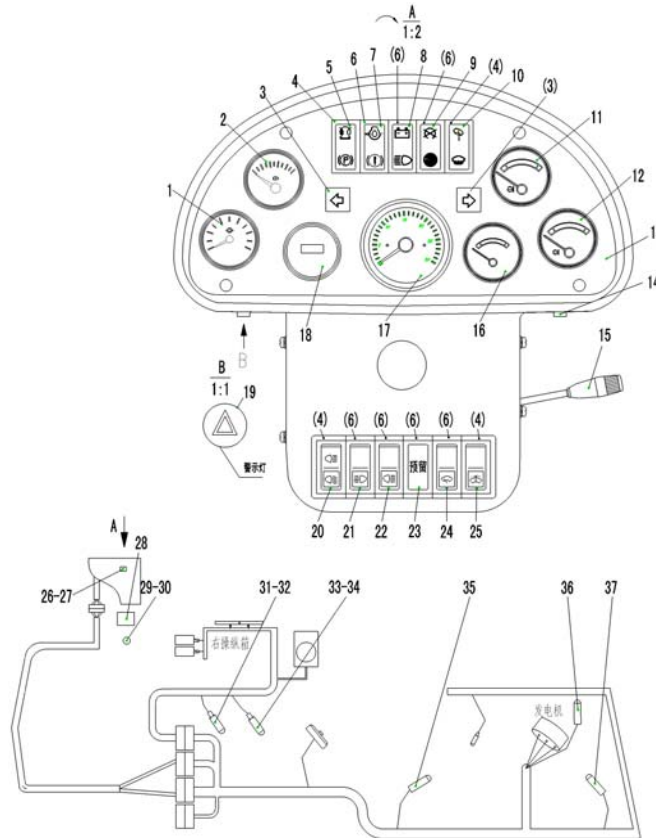
序号 Key	零件代号 Part No.	名称 Description	是否配件 Spare parts Y/N	数量 Qty	备注 Remarks
1	413000856	变速箱压力表350-040-005	Y	1	
2	413000858	气压表350-040-011	Y	1	
3	413000601	转向指示灯ZL2-ZX	Y	2	
4	413000498	侧边单框架JK931-01CKJ	Y	4	
5	413000625	指示灯组件ZL2-ZJ3	Y	1	
6	413000497	中间单框架JK931-01ZKJ	Y	7	
7	413000626	指示灯组件ZL2-ZJ4	Y	1	
8	413000627	指示灯组件ZL2-ZJ5	Y	1	
9	413000628	指示灯组件ZL2-ZJ6	Y	1	
10	413000629	指示灯组件ZL2-ZJ7	Y	1	
11	413000289	水温表SW201C	Y	1	
12	413000286	油温表YW201A	Y	1	
13	413000608	仪表盘面板ZL2-MB1	Y	1	
14	413000875	电锁84829	Y	1	
15	413000021	组合开关LG13-ZHK	Y	1	
16	413000209	油位表RY242-2A	Y	1	
17	413000867	转速表ZS901A(1.85)	Y	1	
18	413000876	计时表85329	Y	1	

仪表盘总成 PANEL ASSEMBLY

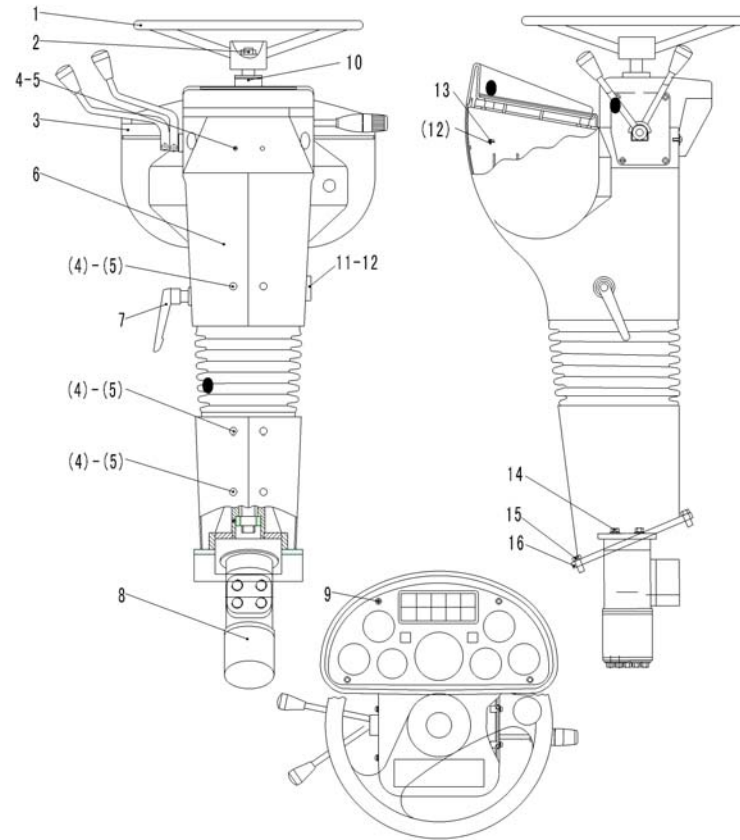


序号 Key	零件代号 Part No.	名称 Description	是否配件 Spare parts Y/N	数量 Qty	备注 Remarks	
19	4130000426	报警按钮开关LD62Z-050	ALARM BUTTON SWITCH LD62Z-050	Y	1	
20	4130000494	后大灯开关JK931-01HDD	REAR BIG LAMP BUTTON-SWITCH JK931-01HDD	Y	1	
21	4130000490	前照灯开关JK931-01QZD	FORWARD LIGHTING BUTTON-SWITCH JK931-01QZD	Y	1	
22	4130000491	后照灯开关JK931-01HZD	BACKWARD LIGHTING BUTTON-SWITCH JK931-01HZD	Y	1	
23	4130000496	盖板JK931-01GB	CAP JK931-01GB	Y	1	
24	4130000493	刮雨器开关JK931-01GYQ	WIPER BUTTON-SWITCH JK931-01GYQ	Y	1	
25	4130000499	喷水开关JK931-01PS	SPRAY WATER BUTTON-SWITCH JK931-01PS	Y	1	
26	4130000871	闪光器MFA/024-1H2	FLASH APPARATUS MFA/024-1H2	Y	1	
27	4130000587	蜂鸣器SFM-27	ALARM APPARATUS SFM-27	Y	1	
28	4130000309	保险丝盒BX2203HB-1	FUSE BOX BX2203HB-1	Y	1	
29	4130000331	备用插头8JA002262-001	STANDBY PLUG 8JA002262-001	Y	1	
30	4130000332	备用插座8JB001946-011	STANDBY SOCKET 8JB001946-011	Y	1	
31	4130000861	压力传感器360-081-030-100	PRESSURE TRANSDUCER 360-081-030-100	Y	1	
32	4130000879	过渡接头R1/4	TRANSITION JOINT R1/4	Y	1	
33	4130000860	压力传感器360-081-037-008	PRESSURE TRANSDUCER 360-081-037-008	Y	1	
34	4130000880	过滤接头R3/8	FILTERING JOINT R3/8	Y	1	
35	4130000065	变矩器油温传感器WG202A	TORQUE CONVERTER OIL TEMPERATURE SENSOR WG202A	Y	1	
36	4130000066	水温传感器WG201	WATER TEMPERATURE SENSOR WG201	Y	1	

仪表盘总成 PANEL ASSEMBLY



仪表台总成 INSTRUMENT DESK



序号 Key	零件代号 Part No.	名称 Description	是否配件 Spare parts Y/N	数量 Qty	备注 Remarks
1	4120001548	方向盘LG20-FXP-01	STEERING WHEEL LG20-FXP-01	Y	1
2	4013000096	螺母GB6171-M16*1.5EpZn-8	NUT GB6171-M16*1.5EpZn-8	N	1
3	4130000895	仪表盘外围ZS01.1	PANEL OFF-LYING ZS01.1	Y	1
4	4014000048	螺钉GB818-M5*12EpZn-4.8	SCREW GB818-M5*12EpZn-4.8	N	14
5	4015000110	垫圈GB97.1-5EpZn-300HV	WASHER GB97.1-5EpZn-300HV	N	14
6	4130000891	918仪表盘支架（方向可调）	GAUGE BOARD FRAME 918	Y	1
7	4130000896	锁紧手柄JB/T270.12-94	SELT LEVER JB/T270.12-94	Y	1
8	4120001147	转向器BZZ5-320	STEERING DEVICE BZZ5-320	Y	1
9	4014000164	螺钉GB819.1-M6*35EpZn-4.8	SCREW GB819.1-M6*35EpZn-4.8	N	4
10	4120001546	转向柱LG20-ZXZ-04	STEERING POLE LG20-ZXZ-04	Y	1
11	4014000040	螺钉GB818-M6*20EpZn-4.8	SCREW GB818-M6*20EpZn-4.8	N	1
12	4015000207	垫圈GB97.1-6EpZn-300HV	WASHER GB97.1-6EpZn-300HV	N	5
13	4014000041	螺钉GB818-M6*15EpZn-4.8	SCREW GB818-M6*15EpZn-4.8	N	4
14	4011000474	螺栓GB16674-M10*25EpZn-8.8	BOLT GB16674-M10*25EpZn-8.8	N	4
15	4011000161	螺栓GB16674-M8*35EpZn-8.8	BOLT GB16674-M8*35EpZn-8.8	N	4
16	4130000892	918可调仪表盘骨架	GAUGE BOARD FRAME 918	Y	1

